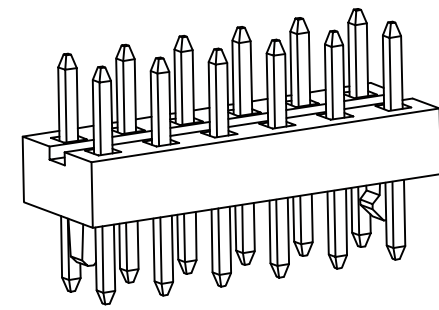
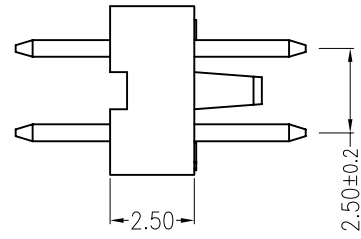
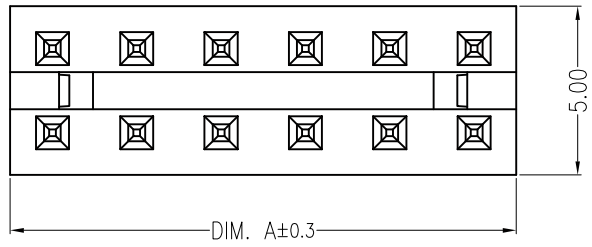
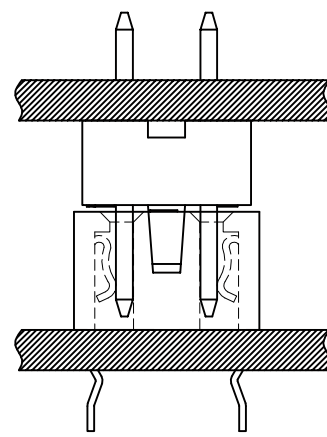
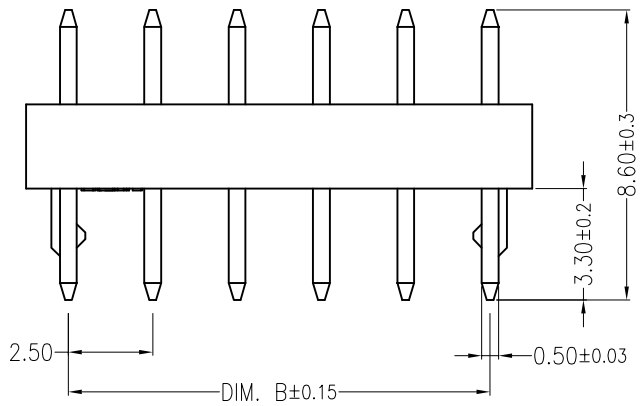


REV	ECN No.	DESCRIPTION	DESIGN	DATE
A0		Release		2015.07.23

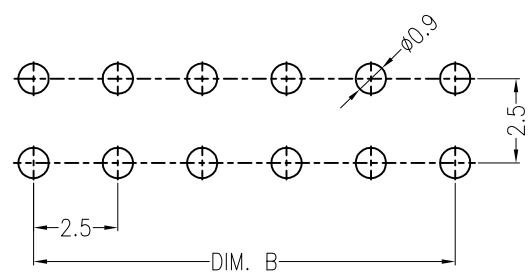


主要技术参数 Main Specifications

- 线 数 (Poles): 04 to 12
- 接触电阻 (Contact resistance): $\leq 20m\Omega$
- 绝缘电阻 (Insulation resistance): $\geq 1000M\Omega$
- 额定电压 (Rated voltage): 125V AC DC
- 额定电流 (Rated current): 1.0A AC DC
- 耐 电压 (Withstand Voltage): 1000V AC/minute
- 温度范围 (Temperature Range): $-40^{\circ}C \sim +110^{\circ}C$



Assembly Layout



SUGGESTED PCB LAYOUT
(COMPONENT SIDE)

Circuit	Dimensions(mm)	
	DIM.A	DIM.B
2X2	5.00	2.50
2X3	7.50	5.00
2X4	10.00	7.50
2X5	12.50	10.00
2X6	15.00	12.50

ITEM	COMPONENT	Q'TY	MATERIAL	FINISH
C				
B	CONTACT	4~12PCS	Brass	Sn-plated
A	HOUSING	1 PCS	PA46	UL 94V-0, COLOR:BEIGE

LEDsconn				TITLE: 2.5mmPITCH 180°WAFER DIP TYPE	
X.±0.5	X.±5'	USE: CUSTOMER	PART NO.:		
.X±0.3	.X±2'				
.XX±0.25	.XX±1'	APPD:	DWG NO.:		
--	--	CHKD:			
⊕	⚡	UNITS: mm	DR:	SCALE 1 : 1	SHEET 1 / 1