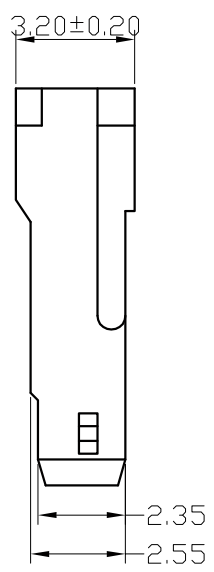
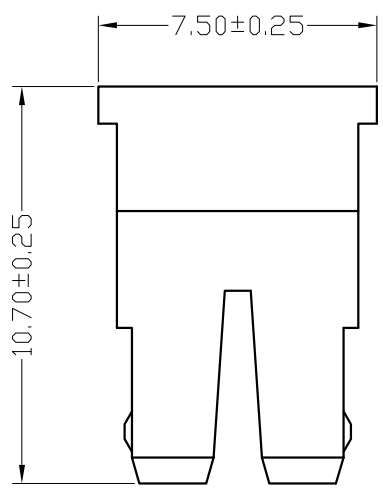


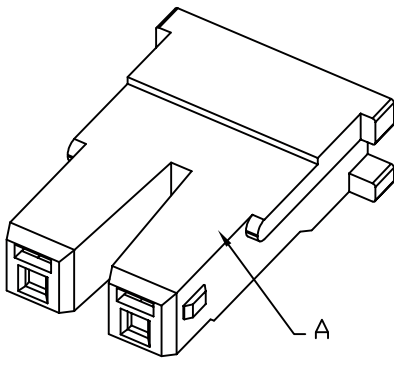
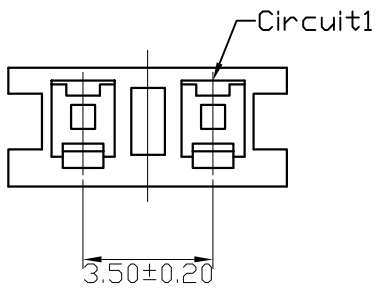
A | B | C | D

REV	ECN No.	DESCRIPTION	DESIGN	DATE
A0		NEW RELEASE		2017.03.25



SPECIFICATION

- 1 Contact resistance: $\leq 10m\Omega$
- 2 Insulation resistance: $\geq 1000M\Omega$
- 3 Rated voltage: 1400 V AC DC
- 4 Rated current: 1.0 A AC DC
- 5 Withstand Voltage: 3800V AC/minute
- 6 Temperature Range: $-25^{\circ}C \sim +85^{\circ}C$



A | B | C | D

C				
B				
A	HOUSING	1 PCS	PA66	COLOR:WHITE
ITEM	COMPONENT	Q'TY	MATERIAL	FINISH
LEDscconn				TITLE: 3.50mm PITCH HOUSING
X.±0.5	X.±5'	USE: CUSTOMER		PART NO.:
.X±0.3	.X±2'	APPD:		DWG NO.:
.XX±0.25	.XX±1'	CHKD:		
--	--	DR:		SCALE 1 : 1
UNITS: mm				SHEET 1 / 1

A | B | C | D | E | F