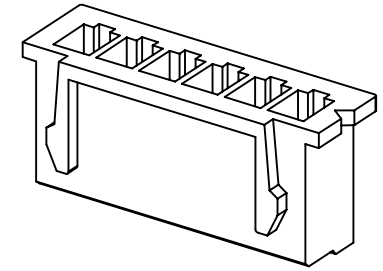
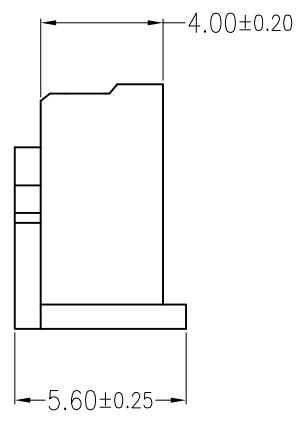
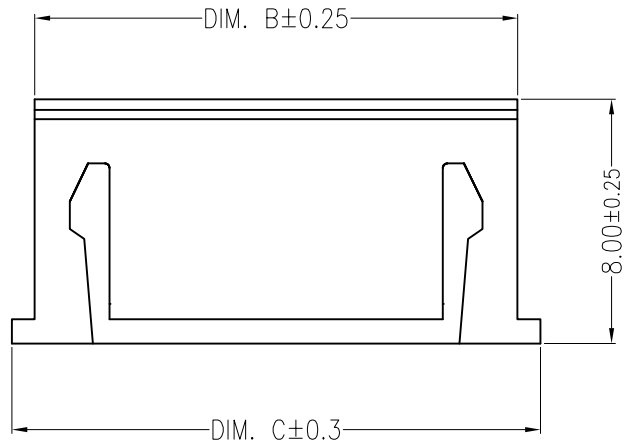
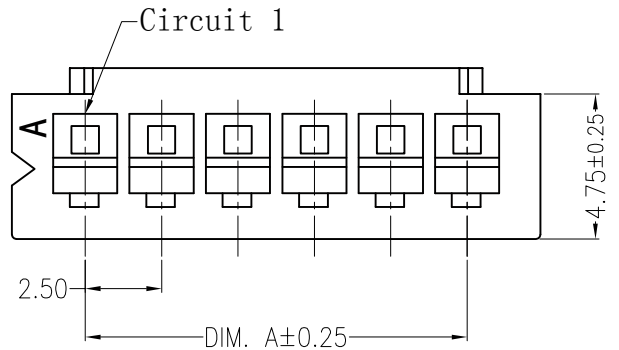


REV	DESCRIPTION	DESIGN	DATE
A0	Release		2017.05.19



**Main Specifications**  
 Poles : 02 to 16  
 Contact resistance :  $\leq 10\text{m}\Omega$   
 Insulation resistance :  $\geq 1000\text{M}\Omega$   
 Rated voltage : 250V AC DC  
 Rated current : 3.0A AC DC  
 Withstand voltage : 1000V AC/minute  
 Temperature Range : -25°C --- +85°C



Circuits	Dimensions (mm)		
	DIM. A	DIM. B	DIM. C
02	2.50	5.80	7.30
03	5.00	8.30	9.80
04	7.50	10.80	12.30
05	10.00	13.30	14.80
06	12.50	15.80	17.30
07	15.00	18.30	19.80
08	17.50	20.80	22.30
09	20.00	23.30	24.80
10	22.50	25.80	27.30
11	25.00	28.30	29.80
12	27.50	30.80	32.30
13	30.00	33.30	34.80
14	32.50	35.80	37.30
15	35.00	38.30	39.80
16	37.50	40.80	42.30
17	40.00	43.30	44.90
18	42.50	45.80	47.30

ITEM	COMPONENT	Q'TY	MATERIAL	FINISH
A	PEDESTAL	1 PCS	PA66	COLOR:WHITE
<b>LEDscconn</b>				TITLE: - 2.5mmPITCH Housing
X.±0.5	X.±5'	USE: CUSTOMER		PART NO.:
.X±0.3	.X±2'	APPD:		DWG NO.:
.XX±0.25	.XX±1'	CHKD:		SCALE 1 : 1
--	--	DR:		SHEET 1 / 1
UNITS: mm				