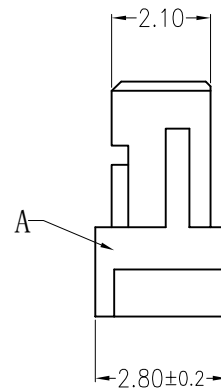
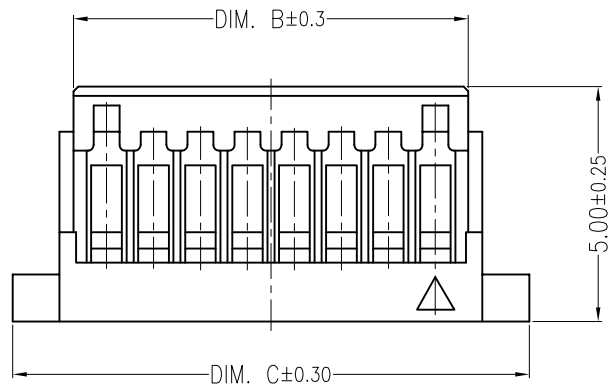
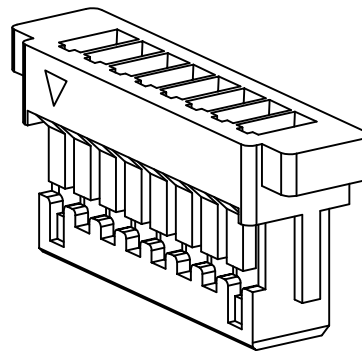
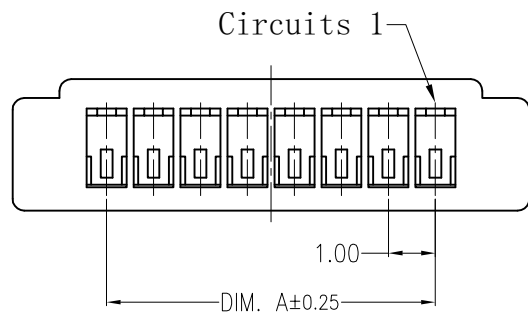


REV	DESCRIPTION	DESIGN	DATE
A0	Release		2016.05.25



主要技术参数 Main Specifications

线 数 (Poles): 02 to 20
 接触电阻 (Contact resistance): $\leq 20m\Omega$
 绝缘电阻 (Insulation resistance): $\geq 100M\Omega$
 额定电压 (Rated voltage): 50V AC DC
 额定电流 (Rated current): 1.0A AC DC
 耐 电压 (Withstand Voltage): 500V AC/minute
 温度范围 (Temperature Range): $-25^{\circ}C \sim +85^{\circ}C$



Circuits	Dimensions (mm)			Circuits	Dimensions (mm)		
	DIM. A	DIM. B	DIM. C		DIM. A	DIM. B	DIM. C
02	1.00	2.40	5.00	10	9.00	10.40	13.00
03	2.00	3.40	6.00	11	10.00	11.40	14.00
04	3.00	4.40	7.00	12	11.00	12.40	15.00
05	4.00	5.40	8.00	13	12.00	13.40	16.00
06	5.00	6.40	9.00	14	13.00	14.40	17.00
07	6.00	7.40	10.00	15	14.00	15.40	18.00
08	7.00	8.40	11.00	16	15.00	16.40	19.00
09	8.00	9.40	12.00				

C					
B					
A	PEDESTAL	1 PCS	PA66	COLOR:WHITE	
ITEM	COMPONENT	Q'TY	MATERIAL	FINISH	
LEDscconn				TITLE: - 1.0mmPITCH HOUSING	
X.±0.5	X.±5'	USE:	CUSTOMER	PART NO.:	
.X±0.3	.X±2'	APPD:		DWG NO.:	
.XX±0.25	.XX±1'	CHKD:		SCALE	
--	--	DR:		1 : 1	SHEET
		UNITS: mm			1 / 1