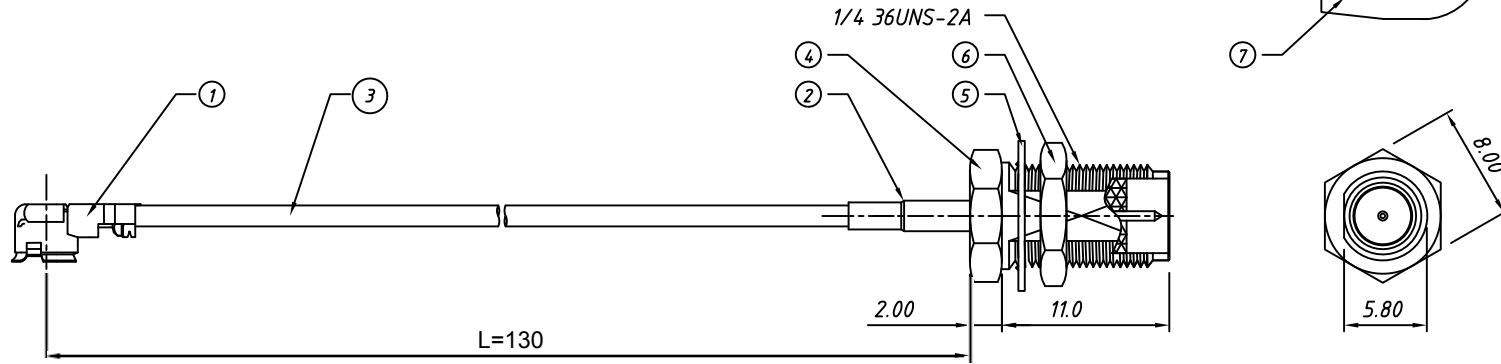


RoHS compliant



Note:

- 1: V.S.W.R: 1.5(0~3G), Max.
- 2: Wire surface shall have no dirt, broken.
- 3: Connector surface with coating, oxidation phenomenon.
- 4: Connector pins and insulator are in the same plane

7	CAP	Rubber CAP,Red	PCS	1
6	Nut	T1.8mm Nut,1/4 36UNS-2A	PCS	1
5	Washers	T0.4mm Washers	PCS	1
4	Connector	RP SMA Jack,Female Straight,for RG178,RG316,0.81,1.13,1.32,1.37mm	PCS	1
3	RF Cable	RG178,RG316,0.81,1.13,1.32,1.37mm Cable	mm	L
2	Heat-Shrink Tube	φ1.0mm Heat-Shrink Tube,Block,L15mm	PCS	2
1	Connetor	I-PEX Plug,for RG178,RG316,0.81,1.13,1.32,1.37mm Cable	PCS	1
No.	Name	Description	UNITS	Q'ty

		Description:	
PROJECTION		I-PEX to RP SMA Female Cable	
UNITS	mm	P/N	GSM-IPX / SMA-RP-130C
SHEET SIZE	A4	<b>CONNTERM Co.,Ltd</b>	
Draw:	Daniel 2018-06-21		
Check:	Daniel 2018-06-21		