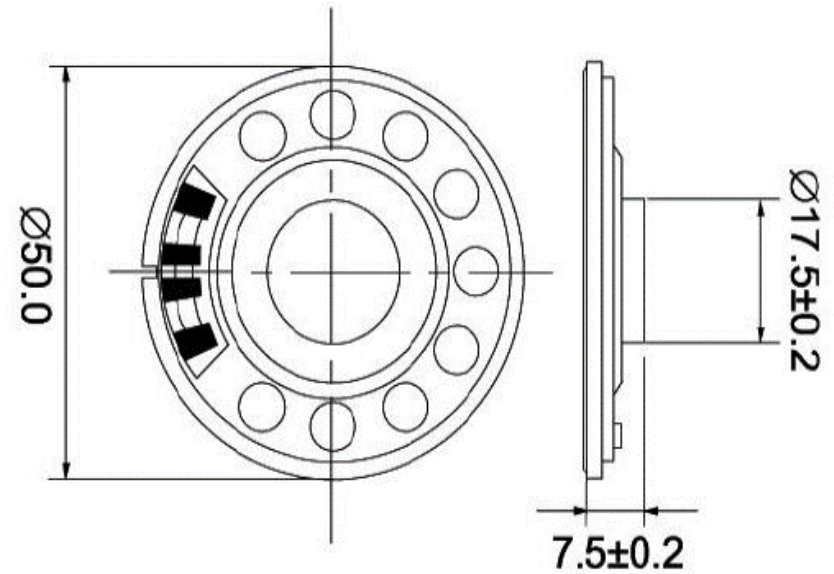
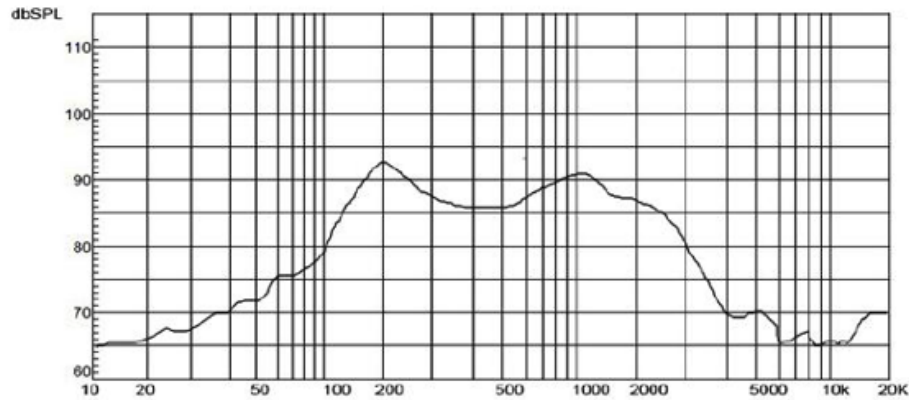


SPECIFICATION		
1	Model No.	S-MC-50N-C-8R
2	Cone Material:	Mylar
3	Edge:	
4	Nominal Power:	0.5W
5	Maximum Power:	1.0W
6	Impedance:	8Ω±15%Ω
7	Fo:	150±20% HZ
8	Response:	Fo-20kHz
9	S.P.L.:	85±3dB/W/M
10	Magnet Size:	



REVISION HISTORY			
LTR	DESCRIPTION	DATE	APPROVED
-	RELEASED FROM ENGINEERING	9/23/2003	Y M
A			
B			
C			



NOTES:

1. ALL DIMENSIONS ARE IN MILLIMETERS
2. SPECIFICATIONS SUBJECT TO CHANGE WITHOUT NOTICE
3. THE ACTUAL PRODUCT TERMINAL BOARD IS IN RED