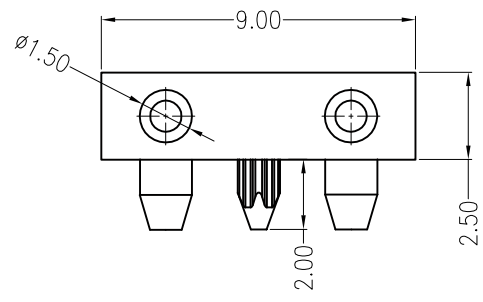
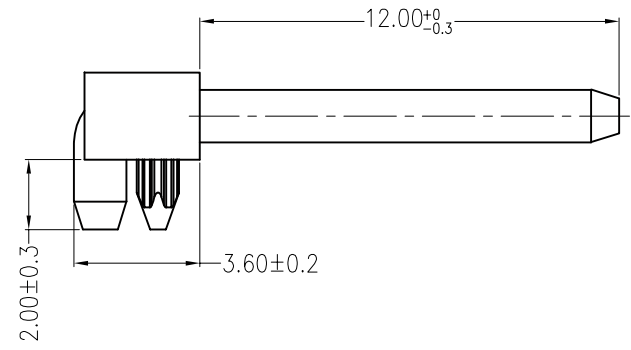
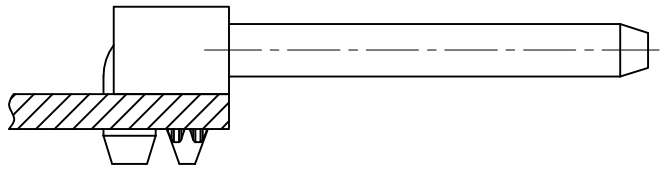
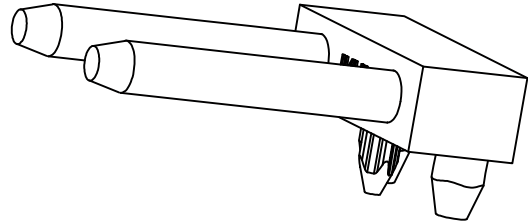
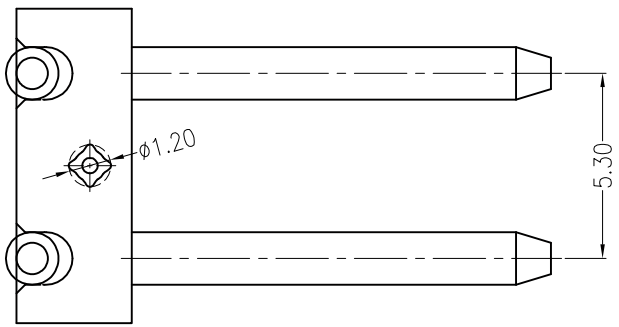


REV	ECN No.	DESCRIPTION	DESIGN	DATE
A0		Release	吴丹平	2017.05.08

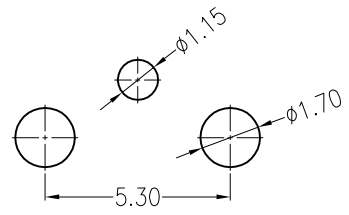


主要技术参数 Main Specifications

线 数 (Poles): 02
 接触电阻 (Contact resistance): $\leq 20m\Omega$
 绝缘电阻 (Insulation resistance): $\geq 1000M\Omega$
 额定电压 (Rated voltage): 250V AC DC
 额定电流 (Rated current): 3.0A AC DC
 耐 电 压 (Withstand Voltage): 1000V AC/minute
 温度范围 (Temperature Range) : $-40^{\circ}C \sim +110^{\circ}C$
 ORDER INFORMATION:



Assembly Layout



Board Layout
General Tolerance: ± 0.05

ITEM	COMPONENT	Q'TY	MATERIAL	FINISH
C				
B	CONTACT	2 PCS	Brass	Ni-plated
A	PEDESTAL	1 PCS	PA46	UL 94V-0, COLOR:BEIGE

LEDsconn			TITLE: 5.3mmPITCH 90°WAFER DIP TYPE	
X.±0.5	X.±5'	USE:	PART NO.:	
.X±0.3	.X±2'	CUSTOMER		
.XX±0.25	.XX±1'	APPD:	DWG NO.:	
--	--	邵敬和		
		CHKD:	SCALE	
		田 峰		
		DR:	1 : 1	SHEET
		吴丹平		1 / 1

1
2
3
4
5

1
2
3
4

A B C D E F