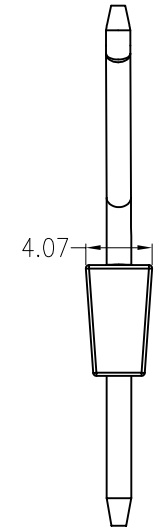
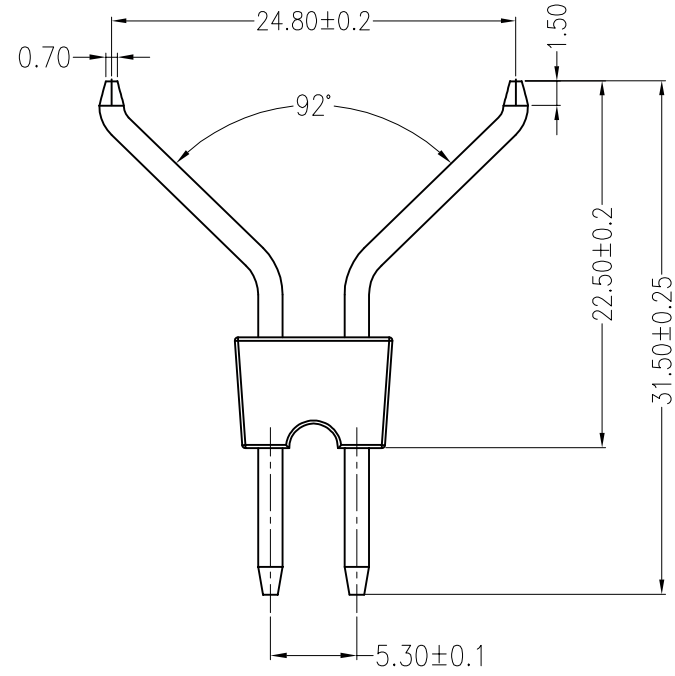
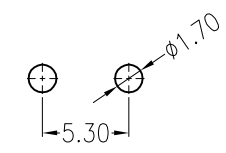
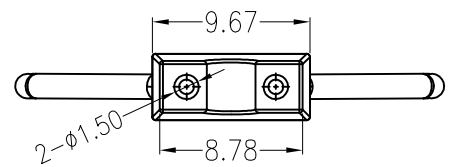


REV	ECN No.	DESCRIPTION	DESIGN	DATE
A0		Release	吴丹平	2017.04.23



主要技术参数 Main Specifications

- 线 数 (Poles): 02
- 接触电阻 (Contact resistance): $\leq 20m\Omega$
- 绝缘电阻 (Insulation resistance): $\geq 1000M\Omega$
- 额定电压 (Rated voltage): 250V AC DC
- 额定电流 (Rated current): 3.0A AC DC
- 耐 电 压 (Withstand Voltage): 1800V AC/minute
- 温度范围 (Temperature Range) : $-40^{\circ}C \sim +110^{\circ}C$



Board Layout

C				
B	CONTACT	2 PCS	Brass	Ni-plated
A	HOUSING	1 PCS	PA46	UL 94V-0, COLOR:BEIGE
ITEM	COMPONENT	Q'TY	MATERIAL	FINISH
LEDsconn				TITLE: 5.3Pitch 180°wafer dip type
X.±0.5	X.±5'	USE: CUSTOMER		PART NO.:
.X±0.3	.X±2'	APPD: 邵敬和		
.XX±0.25	.XX±1'	CHKD: 田 峰		DWG NO.:
--	--	DR: 吴丹平		SCALE 1 : 1
	UNITS: mm			SHEET 1 / 1