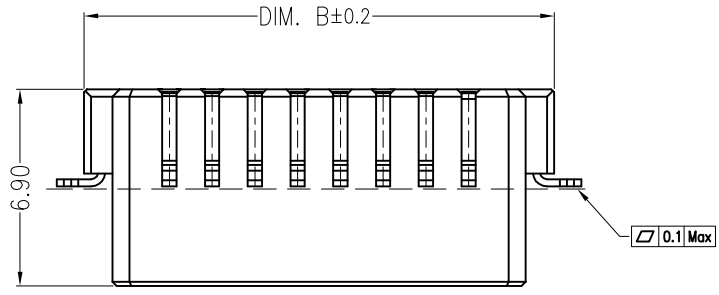
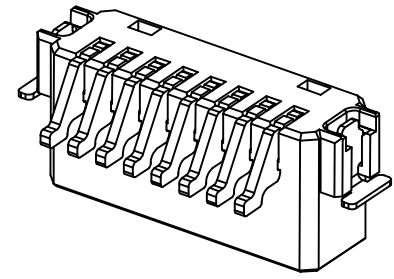
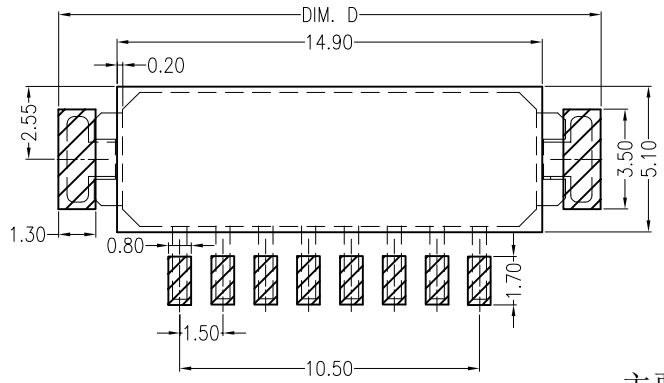
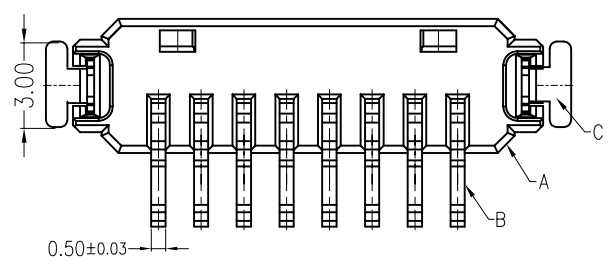
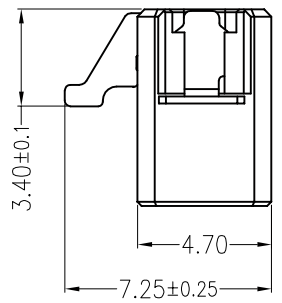


REV	ECN No.	DESCRIPTION	DESIGN	DATE
A0		Release	吴丹平	2016.05.13

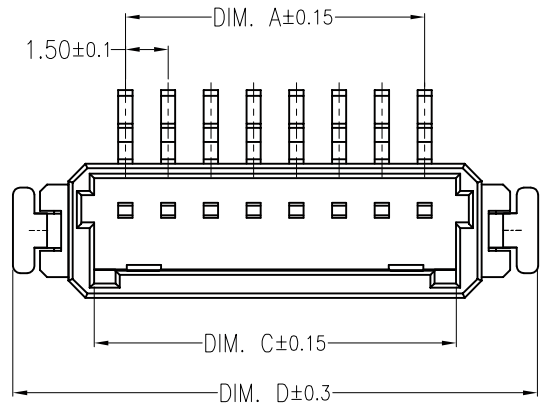


Board Layout
General Tolerance: ±0.05



主要技术参数 Main Specifications

- 线数 (Poles): 02 to 08
- 接触电阻 (Contact resistance): ≤20mΩ
- 绝缘电阻 (Insulation resistance): ≥500MΩ
- 额定电压 (Rated voltage): 50V AC DC
- 额定电流 (Rated current): 1.5A AC DC
- 耐电压 (Withstand Voltage): 500V AC/minute
- 温度范围 (Temperature Range): -40℃ ~ +120℃



Circuits	Dimensions (mm)			
	DIM. A	DIM. B	DIM. C	DIM. D
02	1.50	7.50	3.70	9.40
03	3.00	9.00	5.20	10.90
04	4.50	10.50	6.70	12.40
05	6.00	12.00	8.20	13.90
06	7.50	13.50	9.70	15.40
07	9.00	15.00	11.20	16.90
08	10.50	16.50	12.70	18.40

ITEM	COMPONENT	Q'TY	MATERIAL	FINISH
C	SOLDER TAB	2 PCS	Brass	MATTE Sn-plated
B	CONTACT	1~8 PCS	Brass	MATTE Sn-plated
A	HOUSING	1 PCS	LCP	UL 94V-0, COLOR:BEIGE

LEDsconn			TITLE: 1.5Pitch 180°wafer smt type	
X.±0.5	X.±5°	USE: CUSTOMER	PART NO.:	
.X±0.3	.X±2°			
.XX±0.25	.XX±1°	APPD: 邵敬和	DWG NO.:	
--	--	CHKD: 田峰		
UNITS: mm		DR: 蒋建银	SCALE 1 : 1	SHEET 1 / 1