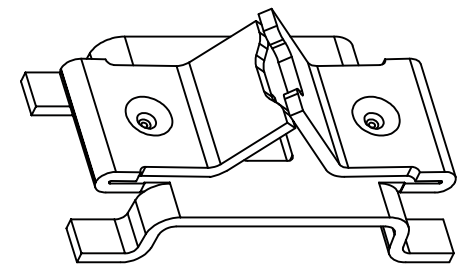
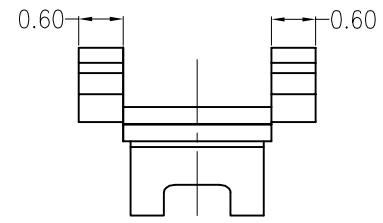
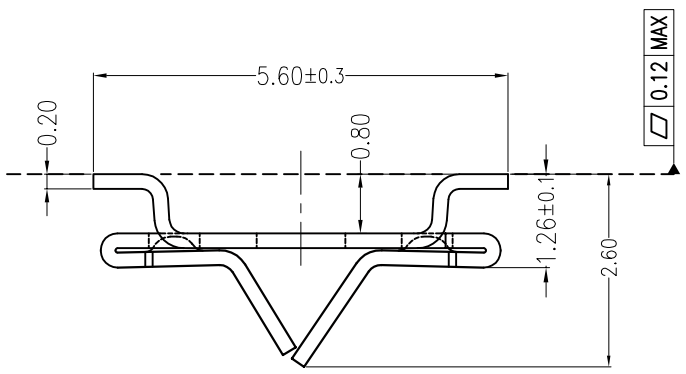
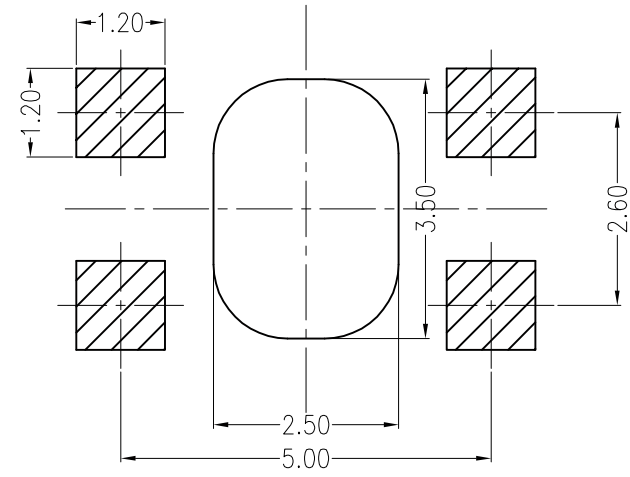
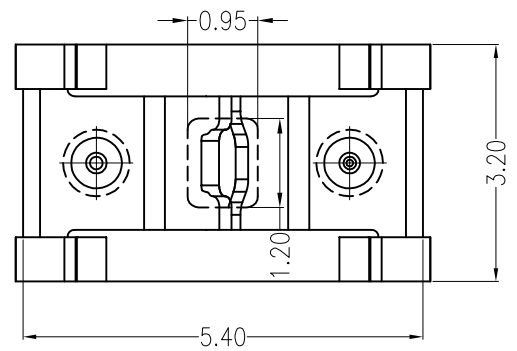


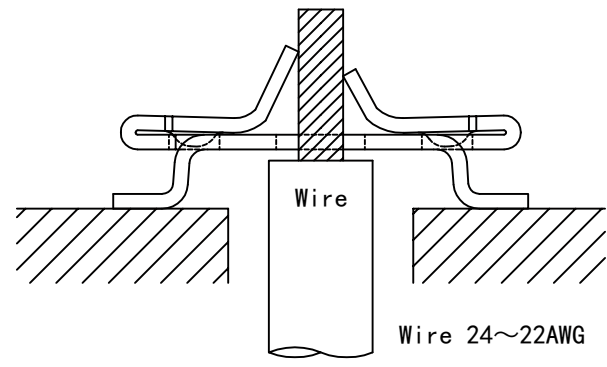
REV	ECN No.	DESCRIPTION	DESIGN	DATE
BO		Release		2017.08.31
-				-



Main Specifications
 Poles: 01
 Contact resistance: $\leq 20\text{m}\Omega$
 Rated voltage; 250 V AC DC
 Rated current: 1.0A AC DC
 Temperature Range: $-45^{\circ}\text{C} \text{ --- } +125^{\circ}\text{C}$



SUGGESTED PCB LAYOUT



Assembly Layout

Wire 24~22AWG

C					
B					
A	CONTACT	1 PCS	PhosphorBronze	MATTE Sn-plated	
ITEM	COMPONENT	Q'TY	MATERIAL	FINISH	
LEDsconn					TITLE:
X.±0.5	X.±5'	USE: CUSTOMER		PART NO.:	
.X±0.3	.X±2'	APPD:		DWG NO.:	
.XX±0.25	.XX±1'	CHKD:		SCALE	
--	--	DR:		1 : 1	SHEET
UNITS: mm				1 / 1	