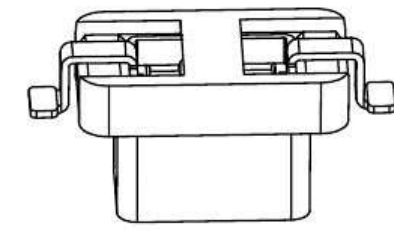
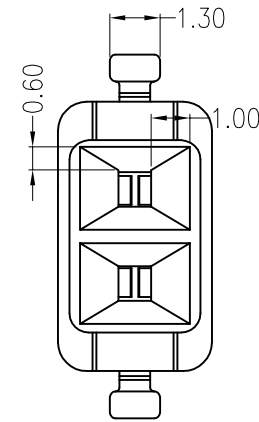
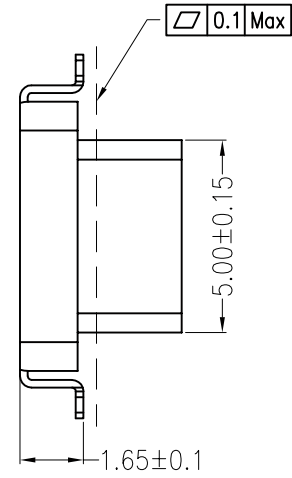
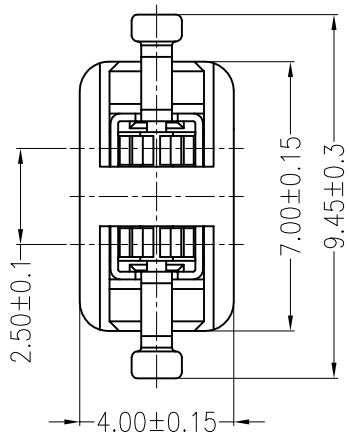
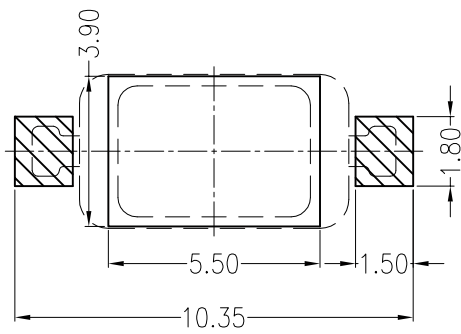
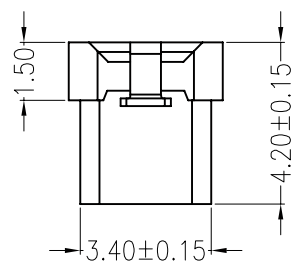


REV	DESCRIPTION	DESIGN	DATE
A0	Release	吴丹平	2016.04.30



Main Specifications
 Poles: 02
 Contact resistance: $\leq 20\text{m}\Omega$
 Insulation resistance: $\geq 1000\text{M}\Omega$
 Rated voltage: 275V AC DC
 Rated current: 1.0A AC DC
 Withstand Voltage: 1500V AC/minute
 Temperature Range: $-40^{\circ}\text{C} \sim +120^{\circ}\text{C}$



Board Layout
 General Tolerance: ± 0.05



ITEM	COMPONENT	Q'TY	MATERIAL	FINISH
C				
B	CONTACT	2 PCS	PhosphorBronze	MATTE Sn-plated
A	PEDESTAL	1 PCS	LCP	UL 94V-0, COLOR:BEIGE

LEDsconn			TITLE: - 2.5mmPITCH 180°WAFER SMT TYPE		
X.±0.5	X.±5'	USE: CUSTOMER	PART NO.:		
.X±0.3	.X±2'				APPD: 邵敬和
.XX±0.25	.XX±1'				
--	--	DR: 周秀龙	SCALE: 1 : 1	SHEET: 1 / 1	