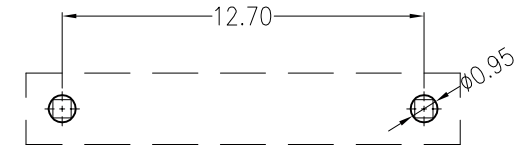
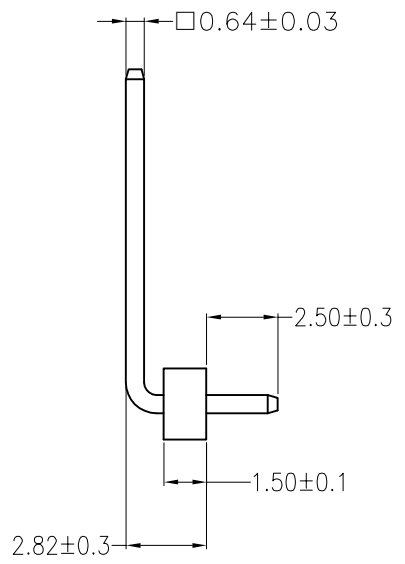
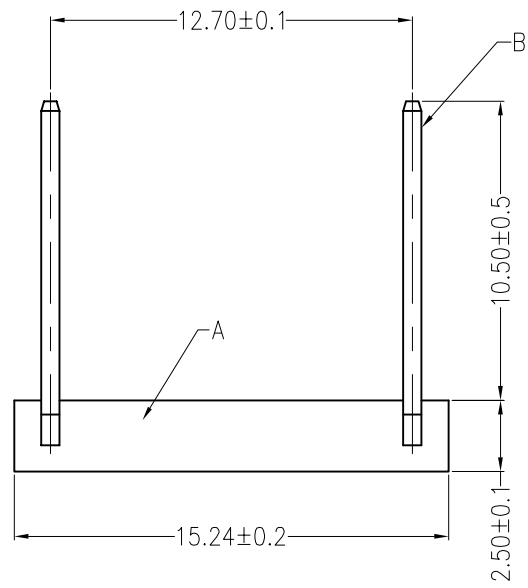


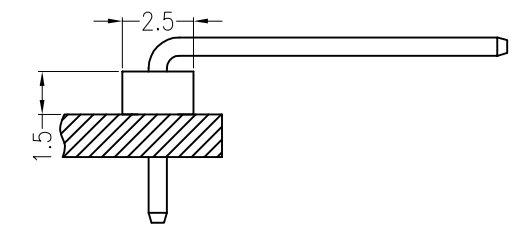
REV	DESCRIPTION	DESIGN	DATE
A0	Release	李润	2016.09.11



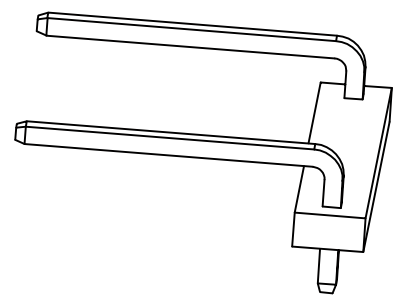
Board Layout
General Tolerance: ±0.05

主要技术参数 Main Specifications

- 线 数 (Poles): 02 to 10
- 接触电阻 (Contact resistance): ≤20mΩ
- 绝缘电阻 (Insulation resistance): ≥1000MΩ
- 额定电压 (Rated voltage): 250V AC DC
- 额定电流 (Rated current): 2.0A AC DC
- 耐电压 (Withstand Voltage): 1500V AC/minute
- 温度范围 (Temperature Range): -40℃ ~ +110℃



Assembly Layout



C				
B	CONTACT	2 PCS	Brass	Sn-plated
A	PEDESTAL	1 PCS	PA46	UL 94V-0, COLOR:BEIGE
ITEM	COMPONENT	Q'TY	MATERIAL	FINISH
LEDsconn				TITLE: - 12.7mmPITCH 90°WAFER DIT TYPE
X.±0.5	X.±5°	USE: CUSTOMER		PART NO.:
.X±0.3	.X±2°	APPD: 邵敬和		DWG NO.:
.XX±0.25	.XX±1°	CHKD: 田峰		
--	--	DR: 蒋建银		SCALE 1 : 1
UNITS: mm				SHEET 1 / 1