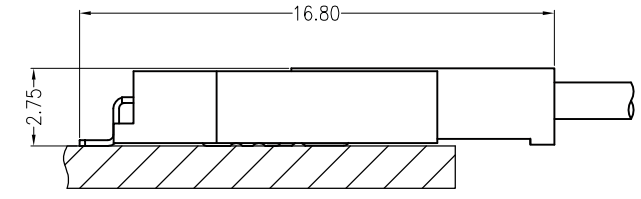


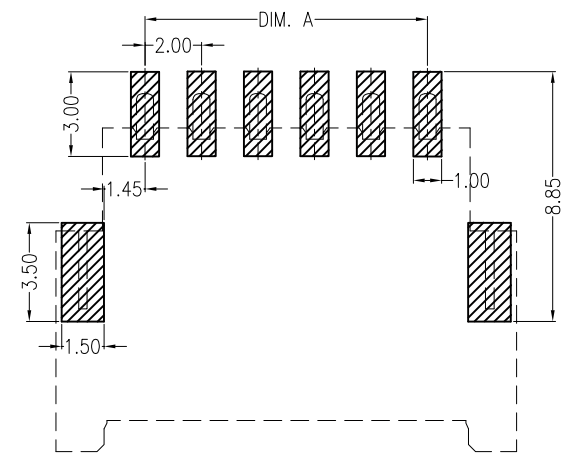
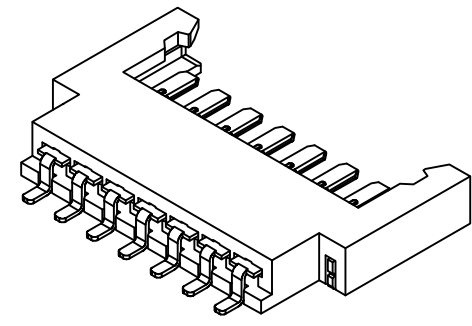
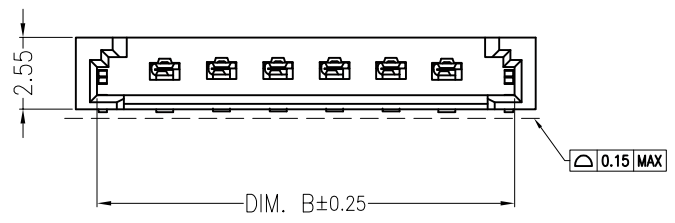
| REV | DESCRIPTION | DESIGN | DATE |
|-----|-------------|--------|------------|
| A0 | Release | 吴丹平 | 2016.07.18 |



Assembly Layout

主要技术参数 Main Specifications

- 线数 (Poles): 02 to 16
- 接触电阻 (Contact resistance): $\leq 20m\Omega$
- 绝缘电阻 (Insulation resistance): $\geq 1000M\Omega$
- 额定电压 (Rated voltage): 125V AC DC
- 额定电流 (Rated current): 2.0A AC DC
- 耐电压 (Withstand Voltage): 500V AC/minute
- 温度范围 (Temperature Range): $-40^{\circ}C \sim +120^{\circ}C$



SUGGESTED PCB LAYOUT

| Circuits | Dimensions (mm) | | |
|----------|-----------------|--------|--------|
| | DIM. A | DIM. B | DIM. C |
| 02 | 2.00 | 6.80 | 8.30 |
| 03 | 4.00 | 8.80 | 10.30 |
| 04 | 6.00 | 10.80 | 12.30 |
| 05 | 8.00 | 12.80 | 14.30 |
| 06 | 10.00 | 14.80 | 16.30 |
| 07 | 12.00 | 16.80 | 18.30 |
| 08 | 14.00 | 18.80 | 20.30 |

| C | SOLDERTAB | 2 PCS | Brass | Sn-plated |
|------|-----------|---------|----------------|-----------------------|
| B | CONTACT | 2~8 PCS | PhosphorBronze | MATTE Sn-plated |
| A | PEDESTAL | 1 PCS | LCP | UL 94V-0, COLOR:BEIGE |
| ITEM | COMPONENT | Q'TY | MATERIAL | FINISH |

| LEDscconn | | | TITLE: - 2.0mmPITCH 90°WAFER SMT TYPE | |
|-----------|--------|---------------|--|-------------|
| X.±0.5 | X.±5° | USE: CUSTOMER | PART NO.: | |
| .X±0.3 | .X±2° | | | |
| .XX±0.25 | .XX±1° | APPD: 邵敬和 | DWG NO.: | |
| -- | -- | CHKD: 田峰 | | |
| ⊕ | ◁ | DR: 吴丹平 | SCALE 1 : 1 | SHEET 1 / 1 |