

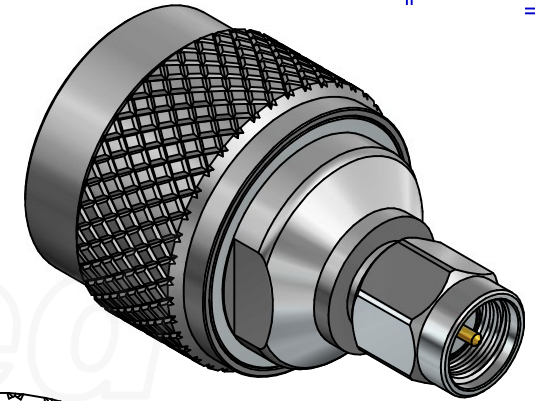
Revisions

"Note: Revisions B; B-1; B-2..... On Behalf of Official Drawing.
Revisions 1; 2; 3; 4..... On Behalf of Experiment's Drawing."

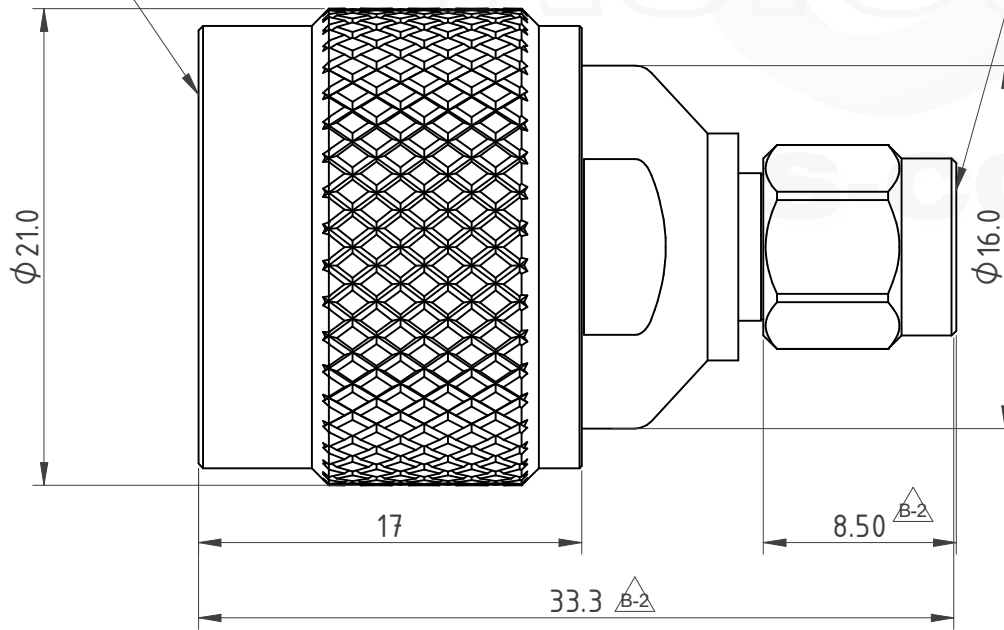
ISS	Symbol	Description	Date
B		CHE to New Drawing Frame & PN System.	2006/07/10
B-1		CHE for Note 2 VSWR; from 1.2 max. to 1.3max.	2013/12/03
B-2		Add Note 4 CHE for Dimension ; from (33.2) & 8.4 to (33.3) & 8.5.	2016/06/15

Notes :

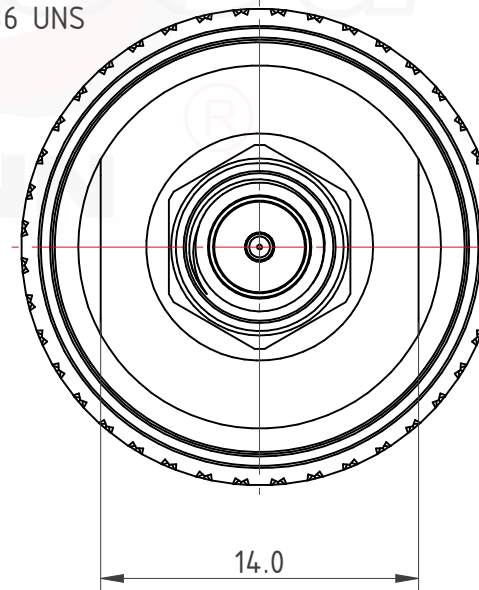
- All Metal Materials Are in Compliance with RoHS 2 Directive 2011/65/EU Annex III Section 6 Paragraph.
- VSWR : 0-12GHz : 1.3 max.
- Insertion Loss : 0-12GHz : 0.2 max.
- Any Electrical, Mechanical or Environmental Test Per MIL-PRF-39012F Should be **Spotlighted**, as We May Not Have All Testing Equipment to Cover All of It.



5/8-24 UNEF



1/4-36 UNS



Finish [Unit of Plating Thickness Is in Micro Inch(μ)]

- Nickel Plating Thk. : 80 μ"min. (Under Plating)
- Gold Plating Thk. : 2 μ"max. (Over Finish 1)

5	Inner Contact	Brass	Finish 1/2		
4	Insulator	PTFE	None		
3	Body	Brass	Finish 1		
2	N Shell	Brass	Finish 1		
1	SMA Shell	Brass	Finish 1		
ITEM	Description	Material	Finish	Part Number	QTY

*RoHS and REACH are fully complied to create a greener planet for future generations.

Scale	Abbr.	Date	Rev		DWG.NO.	AT010A2N01
NTS	ST	2018/5/9	B-2		Customer P/N:	
Tolerances :		Proprietary Note			All Dimensions in mm[Inch] (Unless Otherwise Specified)	
.X ±0.2 .XX ±0.1 .XXX ±0.05		This document contains information proprietary to S-Conn, which is either copyrighted, or patent applied for, and / or protected by trade secret laws. This document or parts thereof, may not be used, disclosed or reproduced in any form by any method, or for any purpose, without the written permission of S-Conn, Taiwan.				
Angular : ±1°						
Drawn	Checked	Approved				
Flugh 2018/5/9	Mark 2018/5/9	H. Sun 2018/5/9				
					Title	
					SMA Plug to N Plug Adapter	
					S-Conn Enterprise Co., Ltd.	