

A

B

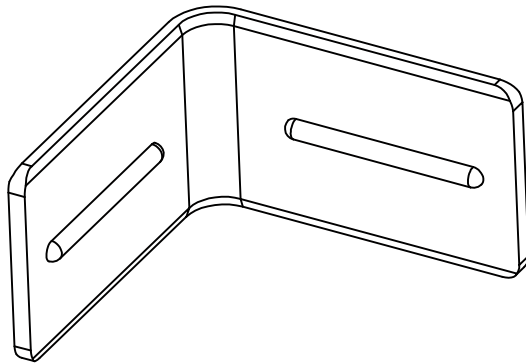
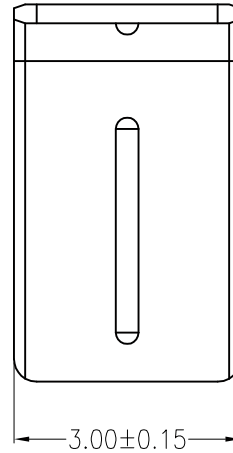
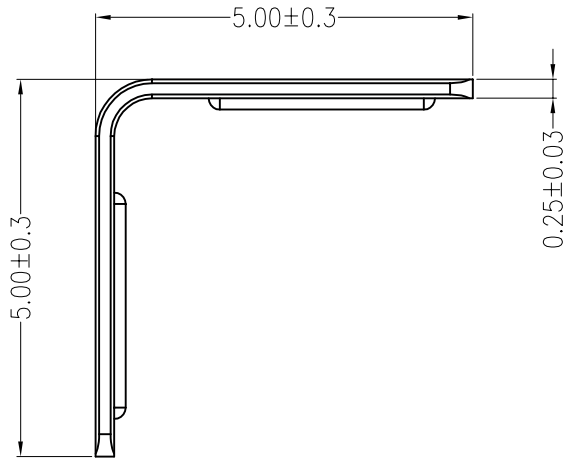
C

D

E

F

REV	DESCRIPTION	DESIGN	DATE
A0	Release	吴丹平	2016.04.30



主要技术参数 Main Specifications

线数 (Poles): 01

接触电阻 (Contact resistance): $\leq 20\text{m}\Omega$

绝缘电阻 (Insulation resistance):

额定电压 (Rated voltage): 250 V AC DC

额定电流 (Rated current): 2.0A AC DC

耐电压 (Withstand Voltage):

温度范围 (Temperature Range):



C					
B					
A	CONTACT	1 PCS	Brass	Ni-plated	
ITEM	COMPONENT	Q'TY	MATERIAL	FINISH	
LEDsconn				TITLE: --	
X.±0.5	X.±5'	USE: CUSTOMER		PART NO.:	
.X±0.3	.X±2'	APPD: 邵敬和		DWG NO.:	
.XX±0.25	.XX±1'	CHKD: 田峰		SCALE	
--	--	DR: 吴丹平		1 : 1	SHEET
		UNITS: mm			1 / 1

A

B

C

D

E

F

1

2

3

4

5

1

2

3

4

5