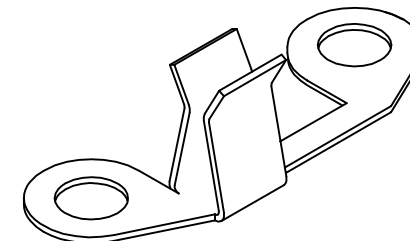
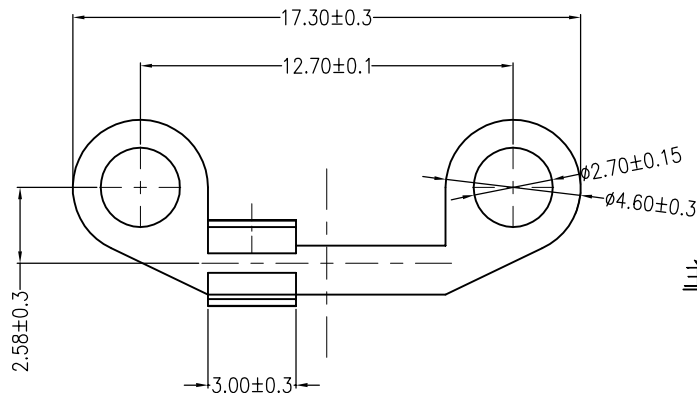
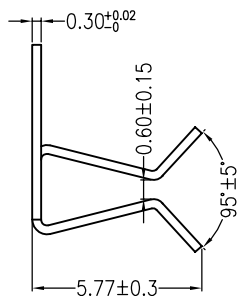
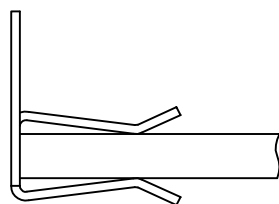


客户料号:



**主要技术参数 Main Specifications**

- 线 数 (Poles): 02
- 接触电阻 (Contact resistance):  $\leq 20m\Omega$
- 绝缘电阻 (Insulation resistance):  $\geq 800M\Omega$
- 额定电压 (Rated voltage): 250V AC DC
- 额定电流 (Rated current): 2.0A AC DC
- 耐 电 压 (Withstand Voltage): 1000V AC/minute
- 温度范围 (Temperature Range):  $-25^{\circ}C \sim +105^{\circ}C$



Assembly Layout

LEDsconn

| APPROVED BY | UNIT       | TOLERANCE   | REV      | EC#. NO | REVISION RECORD | NAME | DATE       | NO. | DESCRIPTION | QTY | MATERIAL       | PLATING/COLOR |
|-------------|------------|-------------|----------|---------|-----------------|------|------------|-----|-------------|-----|----------------|---------------|
| 邵敬和         | mm         | X.X ±0.30   | A/0      |         | NEW RELEASE     | 李 润  | 2015.03.06 | A   | Contacts    | 1   | PhosphorBronze | Ni-plated     |
| CHECKED BY  | SCALE      | X.XX ±0.20  | A/1      |         | ①增加镀镍规格         | 李 润  | 2016.07.13 | B   |             |     |                |               |
| 伏 何         | FULL       | X.XXX ±0.10 |          |         |                 |      |            | C   |             |     |                |               |
| DRAWN BY    | DATE       | SHEET       | ANGLE    |         |                 |      |            |     |             |     |                |               |
| 李 润         | 2015.03.06 | 1/1         | X° ±3.0° |         |                 |      |            |     |             |     |                |               |

MODEL NAME: 12.7mmPITCH