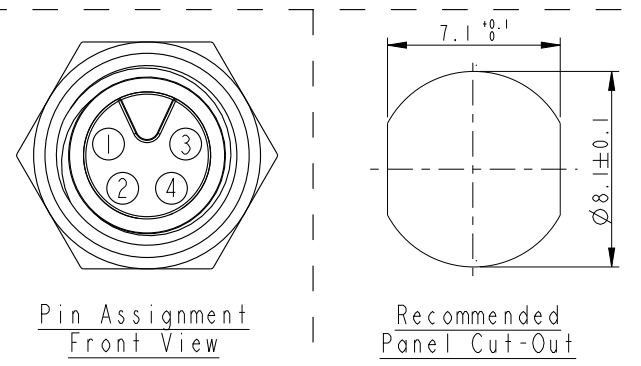
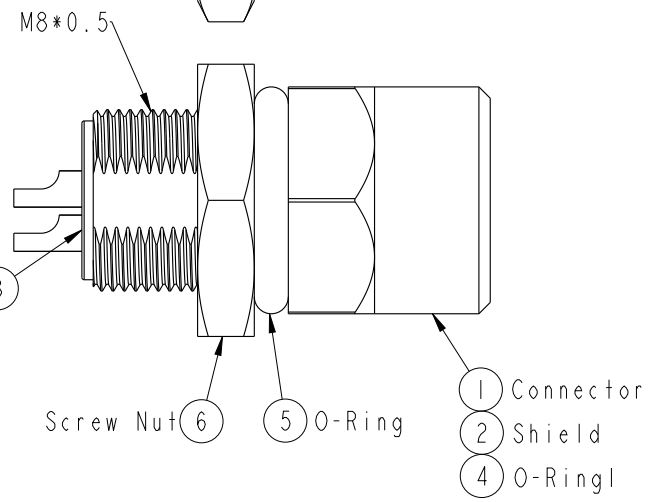
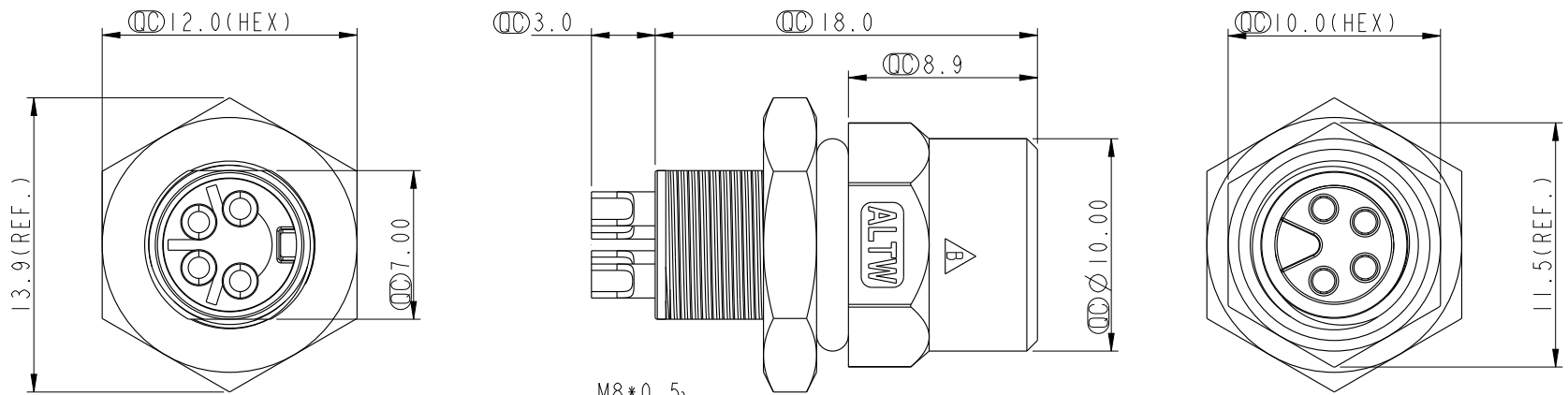


THIS DOCUMENT IS SUBJECT TO CHANGE WITHOUT NOTICE. IT IS CONFIDENTIAL AND A PROPERTY OF Amphenol LTW. DISCLOSURE TO THIRD PARTY HAS TO BE AUTHORIZED BY Amphenol LTW.

REV.	ECN NO.	DATE	SIGN	DESCRIPTION
B	C191918	2019/10/31	JC Chen	△ XI



Note:  
 \*  $\varnothing$  Important Dimension.  
 \* Waterproof Rate: IP67.  
 \* Housing: Nylon+GF, Black.  
 \* Female Pin: Copper Alloy, Gold Plated.  
 \* Shield: Zinc Alloy, Nickel Plated.  
 \* Screw Nut: Copper Alloy, Nickel Plated.  
 \* O-Ring1: Viton, Green.  
 \* O-Ring2: EPDM, Black.  
 \* For Panel Thickness Max 4.5mm.  
 \* Nut Torque: 4~6 kgf.cm.

UNIT:mm		TITLE		ITEM NO	DRAWN BY	DATE
		M8 4Pin Panel F Conn. F Pin				
TOLERANCE	.X ±0.25	SCALE	3:1	DWG NO	CHECKED BY	DATE
.XX ±0.1		SIZE	A4	8A-04PFFS-SH7001	Jimmy	2014-02-10
.XXX ±0.05		REV.	B	CUSTOMER	APPROVED BY	DATE
ANGLES ±1°		WC-REV.	A.5	ALTW	Jerry	2014-02-10
		: Inspection item		Amphenol LTW 安費諾亮泰企業股份有限公司		