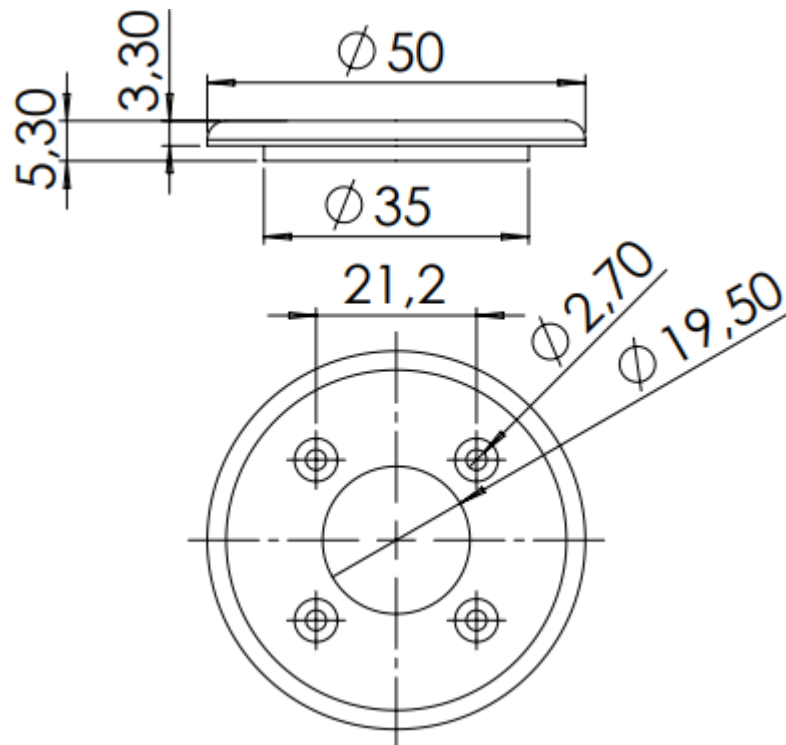



FEATURES

- Made of 316L
- 3D model available

- Compatible with MINI-BODY-316L

DIMENSIONS

Ordering code

MINI-TOPPLATE-ROUND-316L- mini round topplate made of 316L

Contact: +48 58 781 33 99 sales@niviss.com www.niviss.com
 NIVISS reserves the right to make technical changes without prior notice.