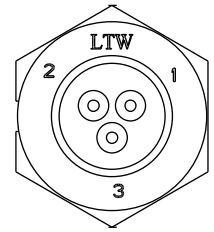
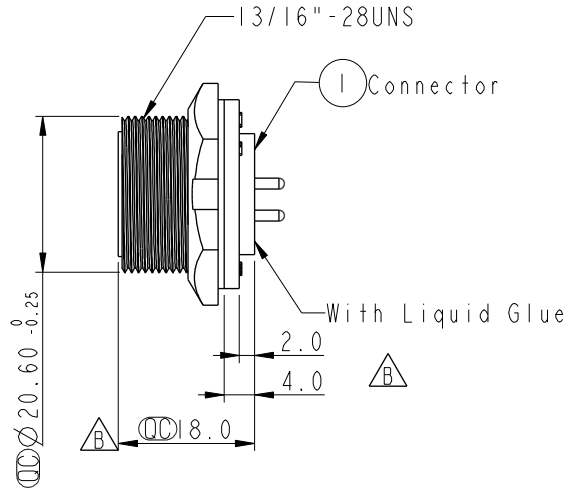
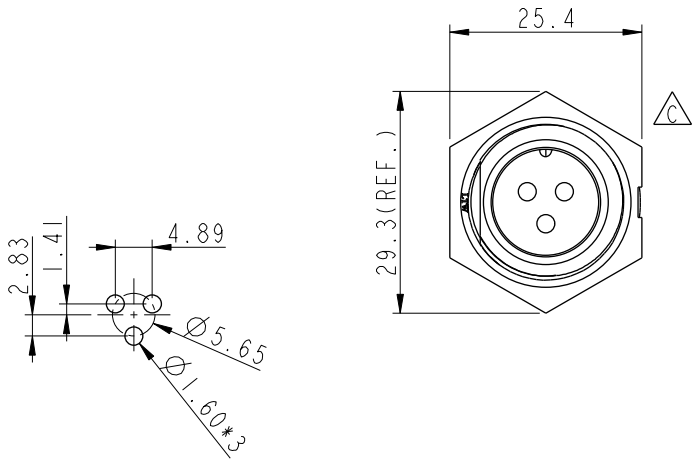


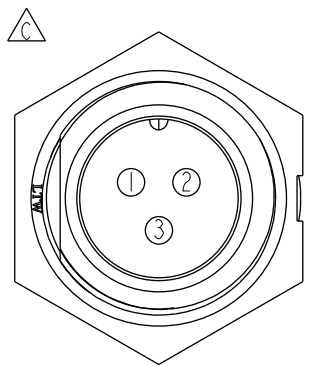
REV.	ECN NO.	DATE	SIGN	DESCRIPTION
B	LEN-680074	2006/08/09	EZ	Change Connector Length 17.0 to 18.0
C	LEN-8A0002	2008/09/26	Li Xiu Zhi	Change View
D	LEN-8B0116	2008/11/04	Shin	Add Note

**ALTW**  
CONFIDENTIAL  
2012-02-06  
R&D DEPT.

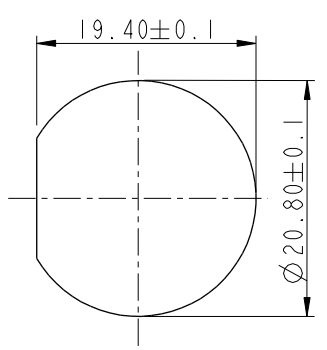
**ALTW**  
DCC. DEPT.  
CONFIDENTIAL  
2012-05-10  
**ISSUED**



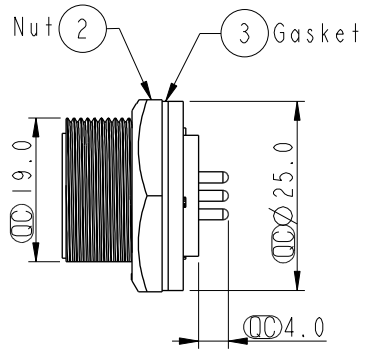
3Pin Male Connector  
Female Pin PCB Layout



Pin Assignments  
Front View



Recommenderd  
Panel Cut-Out



Note:

- \*  $\varnothing$  Important Dimension.
- \* Waterproof Rate: IP67
- \* Housing: Black, Nylon+GF
- \* Pin: Copper Alloy, Gold Plated.
- \* Nut: Black, Nylon+GF
- \* Gasket: Black, EPDM

- $\triangle$  \* Use with waterproof cap or dust cap  
Maximum Panel Thickness: 2.0mm
- $\triangle$  \* Use without waterproof cap or dust cap  
Maximum Panel Thickness: 3.0mm

UNIT: mm		
TOLERANCE	.X ±0.25	
.XX ±0.1		
.XXX ±0.05		
ANGLES	±1°	

TITLE Middle Panel Screw 3P M Conn M Pin			
SCALE 1:1	SIZE A4	SHEET 1 OF 1	
REV. D	WC-REV. A.3	$\varnothing$ : Inspection item	

**Amphenol LTW**  
安費諾亮泰企業股份有限公司

ITEM NO. CC-03PMMP-SC7001	DRAWN BY SamChang	DATE 2012-04-10
DWG NO. CC-03PMMP-SC7001	CHECKED BY Jeffrey	DATE 2012-05-10
CUSTOMER ALTW	APPROVED BY Lion	DATE 2012-05-10

THIS DOCUMENT IS SUBJECT TO CHANGE WITHOUT NOTICE. IT IS CONFIDENTIAL AND A PROPERTY OF AMPHENOL LTW. DISCLOSURE TO THIRD PARTY HAS TO BE AUTHORIZED BY AMPHENOL LTW.