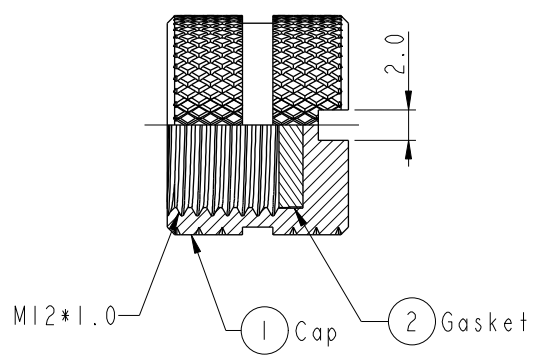
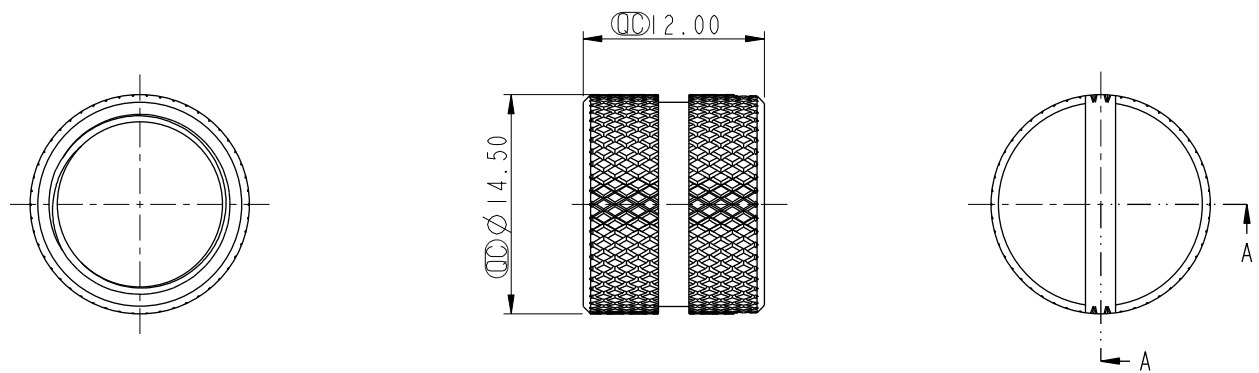


THIS DOCUMENT IS SUBJECT TO CHANGE WITHOUT NOTICE. IT IS CONFIDENTIAL AND A PROPERTY OF Amphenol LTW. DISCLOSURE TO THIRD PARTY HAS TO BE AUTHORIZED BY Amphenol LTW.

REV.	ECN NO.	DATE	SIGN	DESCRIPTION
A	Initial Release	2013/09/22	Vicky	Old Item No. CAP-WBDMMSA2



SECTION A-A

- Note:
- \*  $\varnothing$  Important Dimension
  - \* Waterproof Rate: IP67
  - \* Cap: Copper Alloy, Nickel Plated
  - \* Gasket: EPDM, Black

UNIT: mm		TITLE Waterproof Cap M12*1.0P For Male Conn Screw Type			<h2 style="margin: 0;">Amphenol LTW</h2> <p style="margin: 0;">安費諾亮泰企業股份有限公司</p>	ITEM NO CAP-WBDMMSA2	DRAWN BY Vicky	DATE 2013-09-12	
		TOLERANCE .X ±0.25 .XX ±0.1 .XXX ±0.05 ANGLES ±1°	SCALE 2:1	SIZE A4		SHEET 1 OF 1	DWG NO CAP-WBDMMSA2	CHECKED BY Sam	DATE 2013-09-12
		REV. A	WC-REV. A.1	QC: Inspection item		CUSTOMER ALTW	APPROVED BY Rita	DATE 2013-09-12	