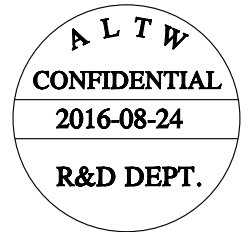
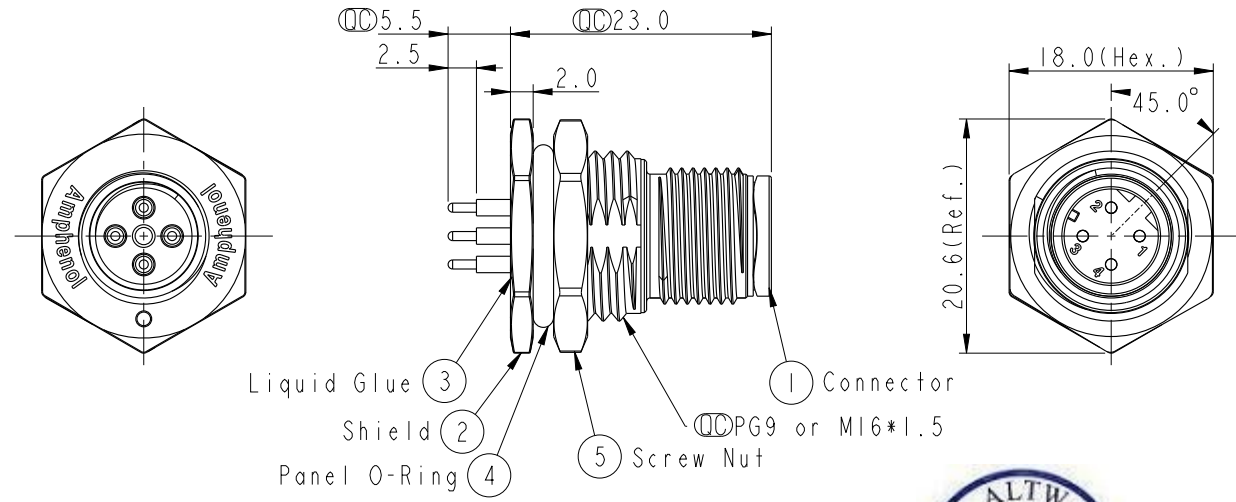
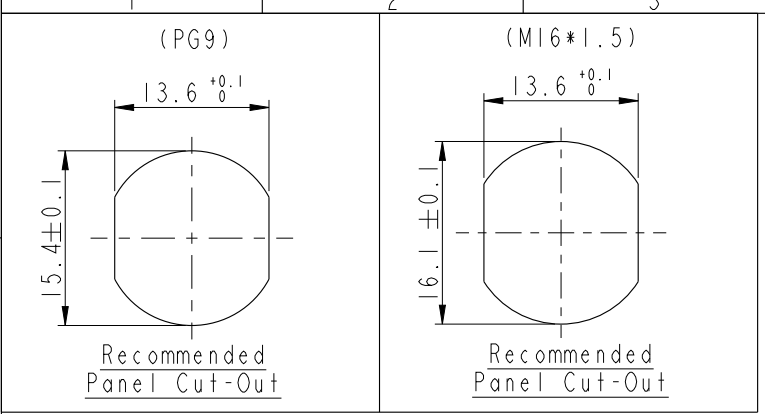
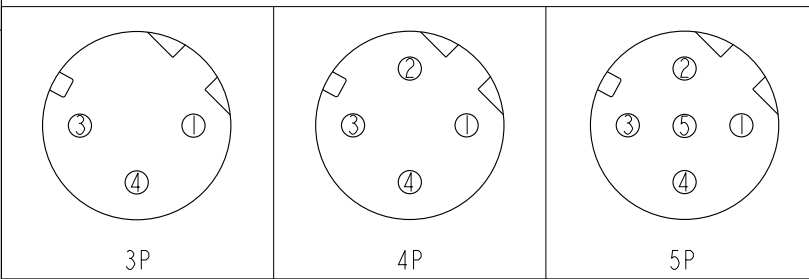


THIS DOCUMENT IS SUBJECT TO CHANGE WITHOUT NOTICE. IT IS CONFIDENTIAL AND A PROPERTY OF Amphenol LTW. DISCLOSURE TO THIRD PARTY HAS TO BE AUTHORIZED BY Amphenol LTW.

REV.	ECN NO.	DATE	SIGN	DESCRIPTION
B	LEN1580025-026	2015/07/24	Yulong_wang	Change to Share Drawing.
C	LEN1690151-152	2016/08/24	Yulong_wang	Add 3, 5 Pin & IP69K.



- Note:
- \*  $\varnothing$  Important Dimension.
  - \* Waterproof Rate: IP68, IP69K.
  - \* Housing: Nylon+GF, Black.
  - \* Male Pin: Copper Alloy, Gold Plated.
  - \* Shield: Zinc Alloy, Nickel Plated.
  - \* Screw Nut: Zinc Alloy, Nickel Plated.
  - \* Panel O-Ring: Viton, Black.
  - \* Rated Voltage: 3 & 4Pin 250V dc. or ac.  
5Pin 60V dc. or ac.
  - \* Rated Current: 4A
  - \* Operating Temperature: -40~+105°C
  - \* For Panel Thickness Max 4.5mm.
  - \* Recommended Nut Torque: 4-6 Kgf.cm.



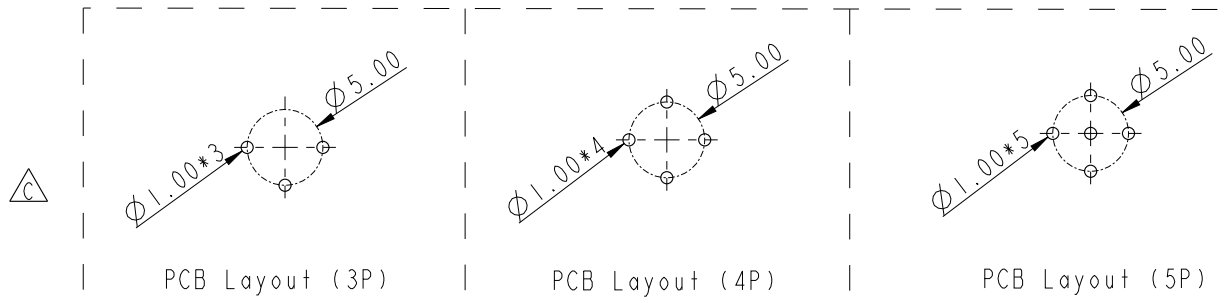
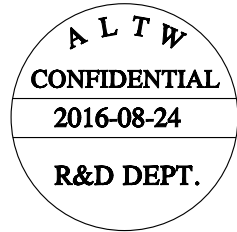
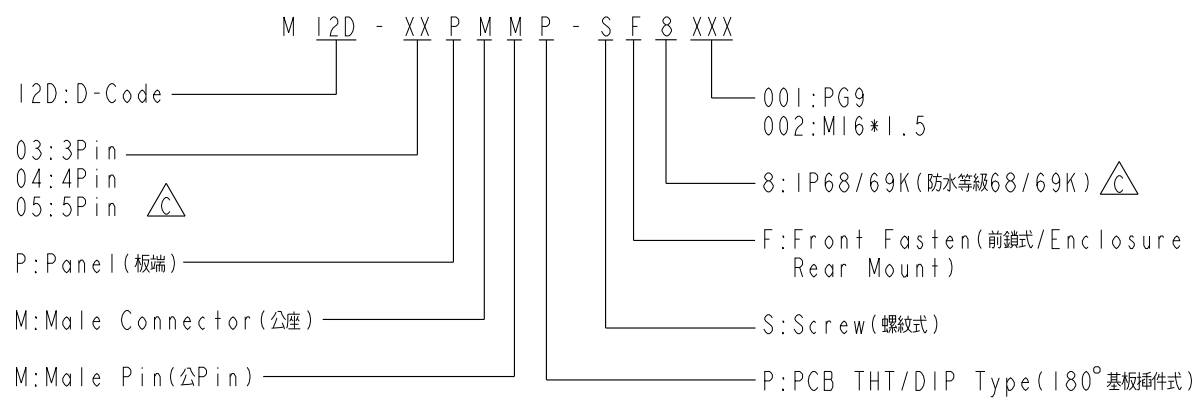
Pin Assignment Front View

UNIT: mm		TITLE	M12 D-Code Male Conn. PCB Type Unshielded		
TOLERANCE		SCALE	SIZE	SHEET	OF
.X	±0.25	2:1	A4	1	2
.XX	±0.1	REV.	WC-REV.	$\varnothing$ : Inspection item	
.XXX	±0.05	C	A.5		
ANGLES	±1°				

**Amphenol LTW**  
安費諾亮泰企業股份有限公司

ITEM NO.	DRAWN BY	DATE
	Yulong_wang	2016-08-24
DWG NO.	CHECKED BY	DATE
M12D-XXPMMP-SF8XXX	Jinhai	2016-08-24
CUSTOMER	APPROVED BY	DATE
ALTW	Jerry	2016-08-24

THIS DOCUMENT IS SUBJECT TO CHANGE WITHOUT NOTICE. IT IS CONFIDENTIAL AND A PROPERTY OF Amphenol LTW. DISCLOSURE TO THIRD PARTY HAS TO BE AUTHORIZED BY Amphenol LTW.



UNIT: mm	
TOLERANCE	
.X	±0.25
.XX	±0.1
.XXX	±0.05
ANGLES	±1°

TITLE M12 D-Code Male Conn. PCB Type Unshielded			
SCALE 3:2	SIZE A4	SHEET 2 OF 2	
REV. C	WC-REV. A.3	QC: Inspection item	

**Amphenol LTW**  
安費諾亮泰企業股份有限公司

ITEM NO	DRAWN BY Yulong_wang	DATE 2016-08-24
DWG NO M12D-XXPMP-SF8XXX	CHECKED BY Jinhai	DATE 2016-08-24
CUSTOMER ALTW	APPROVED BY Jerry	DATE 2016-08-24

DATE 2016-08-24
DATE 2016-08-24
DATE 2016-08-24