

Data Sheet

LL01ZZ-EXxxL06-U2



Xlamp XP-E



■ Features & Typical Applications

- High efficiency
- Available with 7 beam angles
- Optimized Uniformity
- Lens with Holder
- Architectural Lighting
- Commercial Lighting
- Downlight
- Spotlight

■ Table of Contents

General Information & Product Nomenclature.....	P.2
Optical Specifications	P.3
Mechanical Specifications	P.6
Package Specifications	P.7

LL01ZZ-EXxxL06-U2

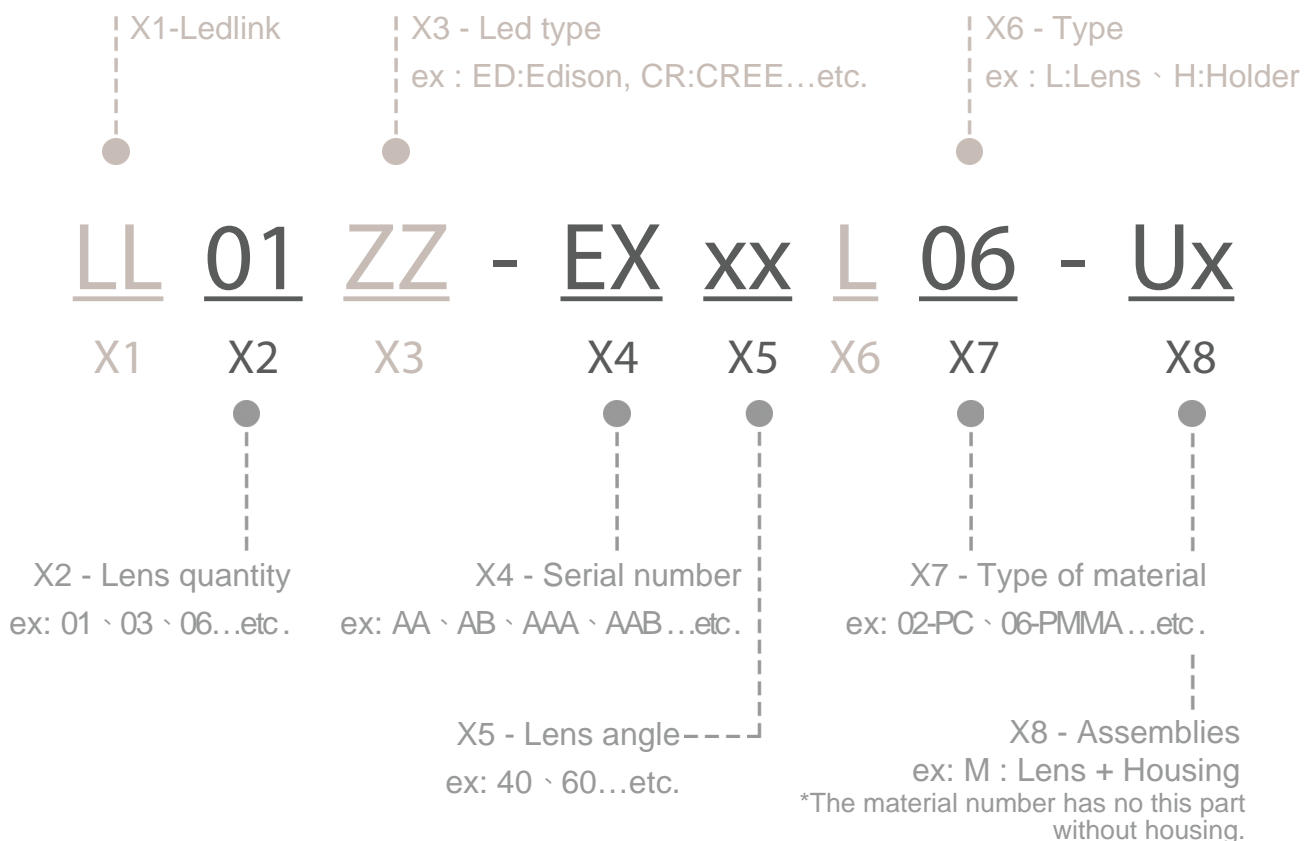
General Information

- Lens Material : PMMA
- Holder Material : PC URC2500
- Operating Temperature range -40°C~+70°C(upper limit +80°C)
- Storage Temperature range -40°C~+70°C(upper limit +80°C)
- * Average transmittance in visible spectrum 400nm~700nm>90%

Usage and Maintenance:

1. If necessary, clean lenses with mild soap, water and soft cloth.
2. Never use any commercial cleaning solvents on lenses, like alcohol.
3. Please handle or install lenses with wearing gloves, skin oils may damage lens or its optical characteristic.

Product Nomenclature



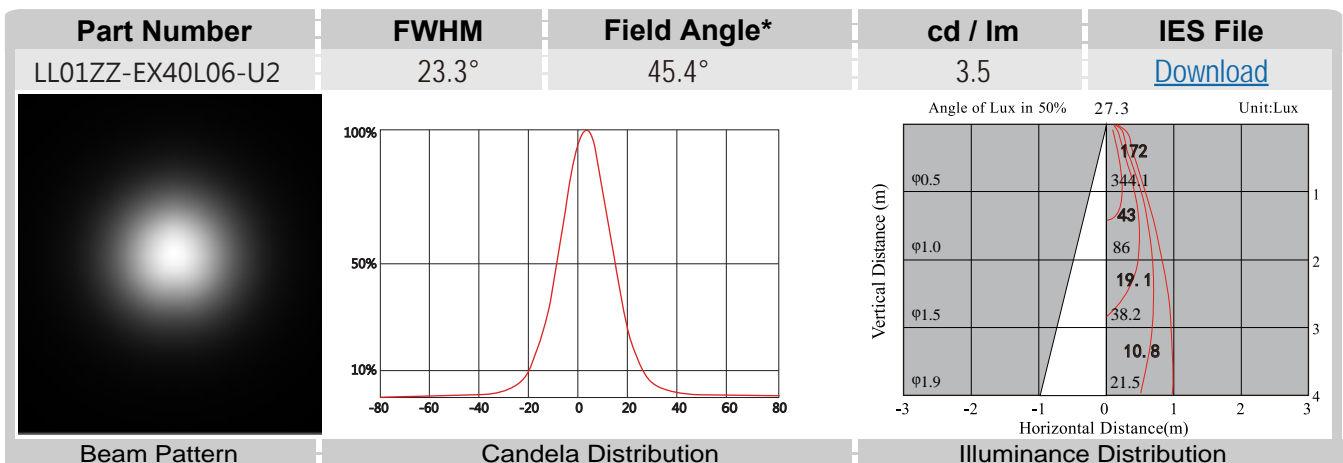
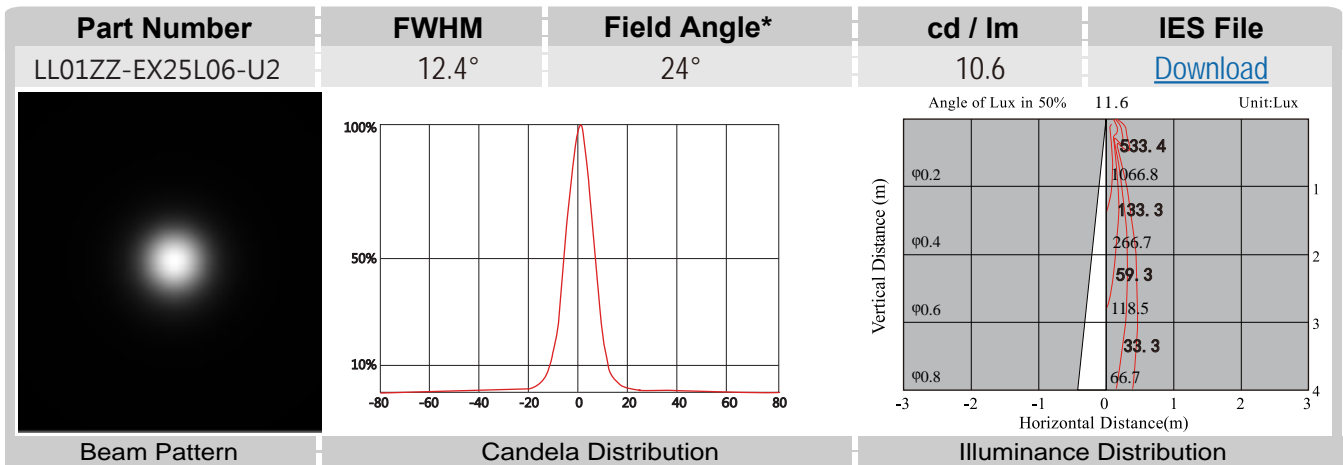
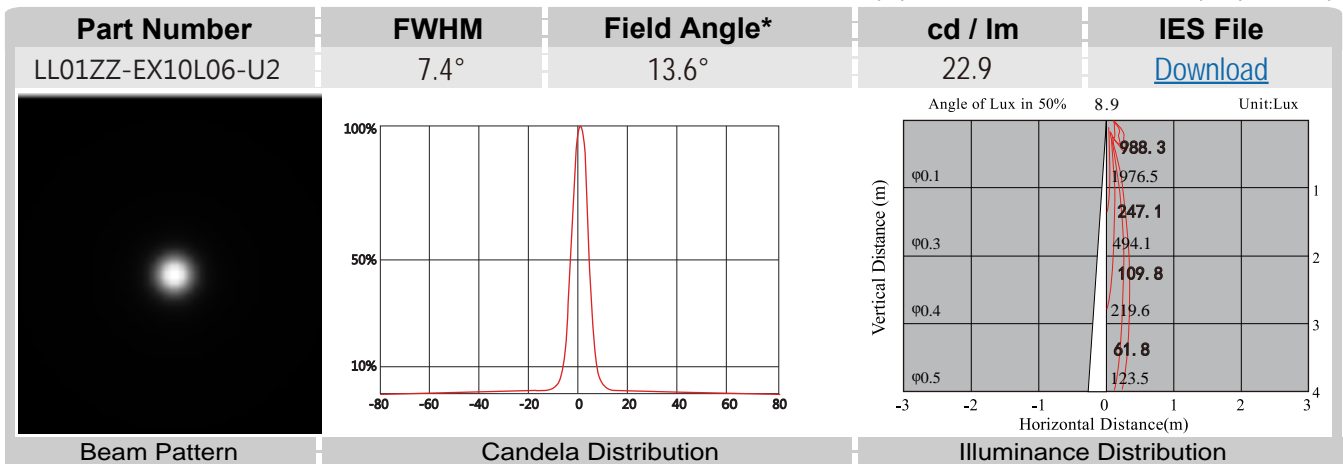
LL01ZZ-EXxxL06-U2

Optical Specifications



Xlamp XP-E

Note: (1) All the results of analysis are based on 0 degrees of elevation.
 (2) Tolerance: $\pm 10\%$.
 (3) Led Luminous Flux(lm): 100($\pm 5\%$).

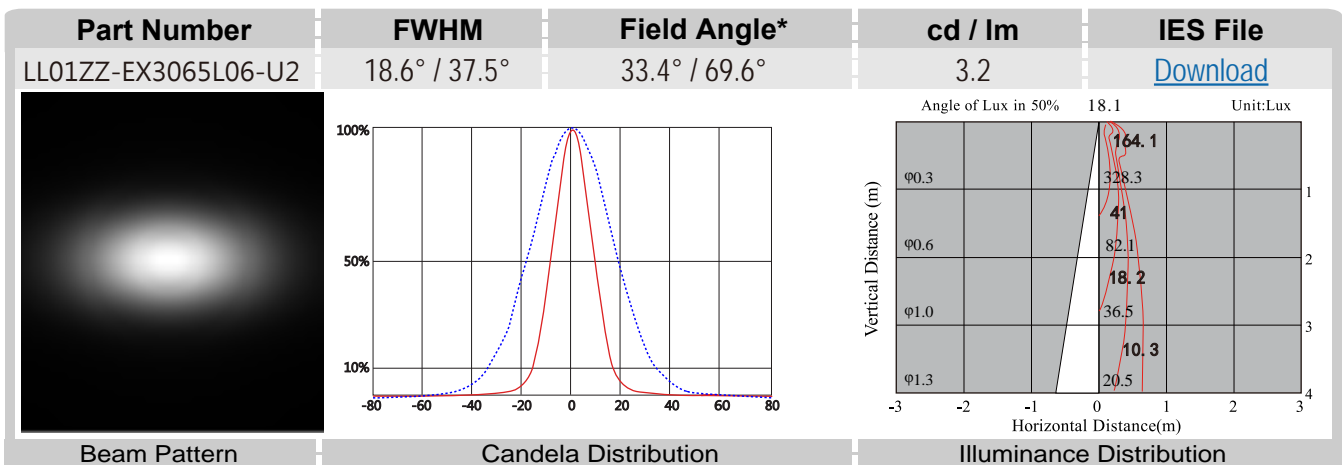
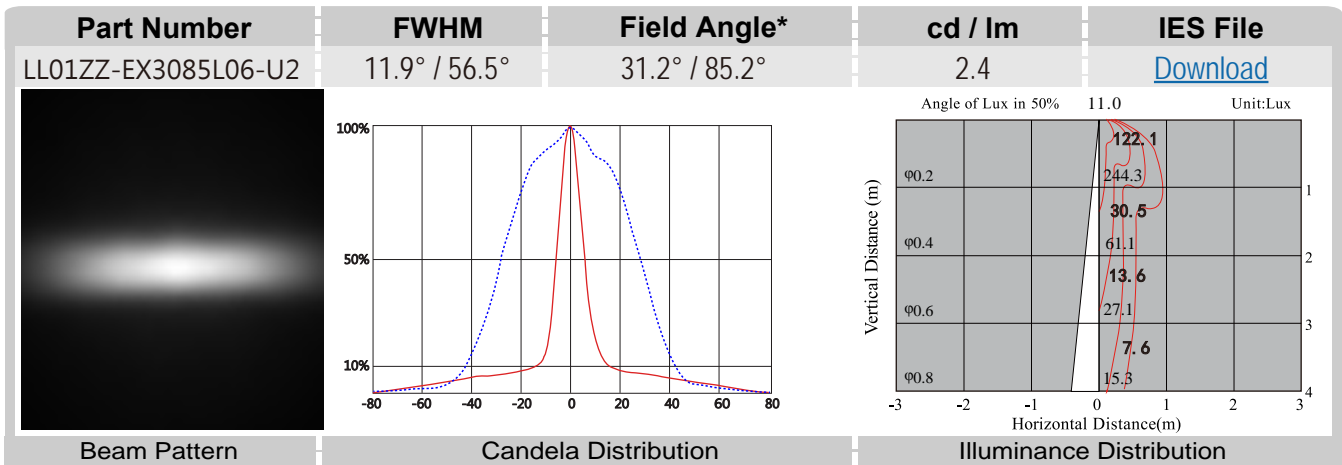
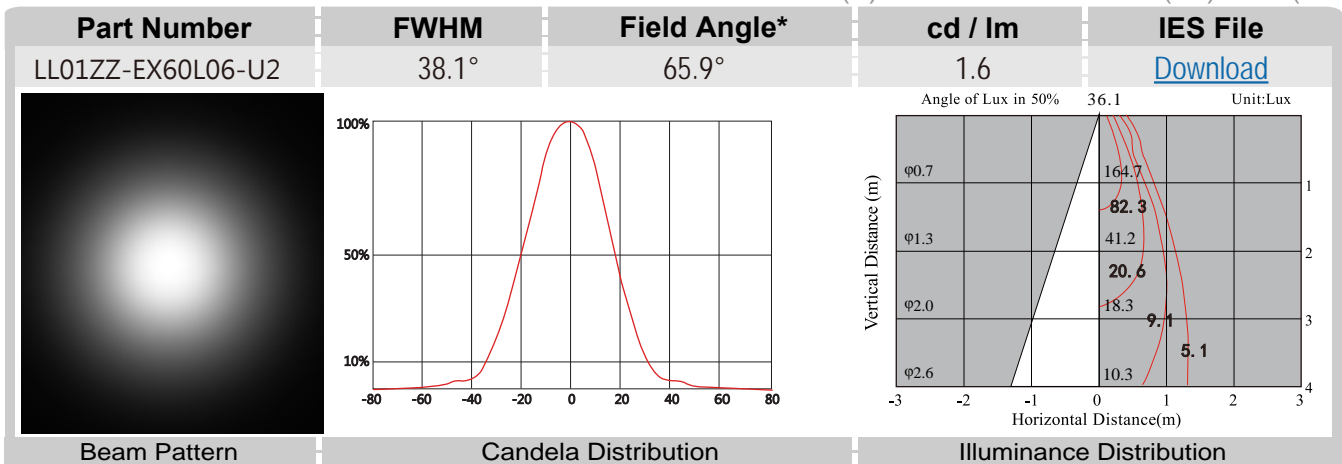


LL01ZZ-EXxxL06-U2

Optical Specifications


Xlamp XP-E

Note: (1) All the results of analysis are based on 0 degrees of elevation.
 (2) Tolerance: $\pm 10\%$.
 (3) Led Luminous Flux(lm): 100($\pm 5\%$).



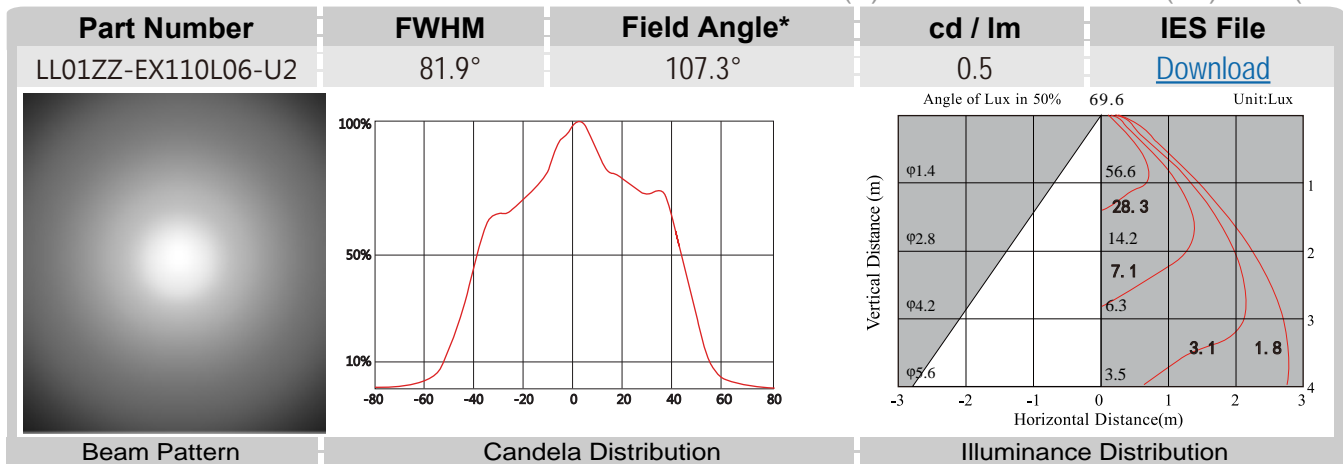
*The Field Angle is the angle between the two directions opposed to each other over the beam axis for which the luminous intensity is 10% that of the maximum luminous intensity.
 *This testing result is obtained through testing the popular rank LED samples which provided by the original manufacturer. Hence, the testing results would be varied as the users choose same LED model but different rank.

LL01ZZ-EXxxL06-U2

Optical Specifications


Xlamp XP-E

Note: (1) All the results of analysis are based on 0 degrees of elevation.
 (2) Tolerance: $\pm 10\%$.
 (3) Led Luminous Flux(lm): 100($\pm 5\%$).



*The Field Angle is the angle between the two directions opposed to each other over the beam axis for which the luminous intensity is 10% that of the maximum luminous intensity.
 *This testing result is obtained through testing the popular rank LED samples which provided by the original manufacturer. Hence, the testing results would be varied as the users choose same LED model but different rank.

LL01ZZ-EXxxL06-U2 Mechanical Specification

1. Fixing method

 Glue

 Screw

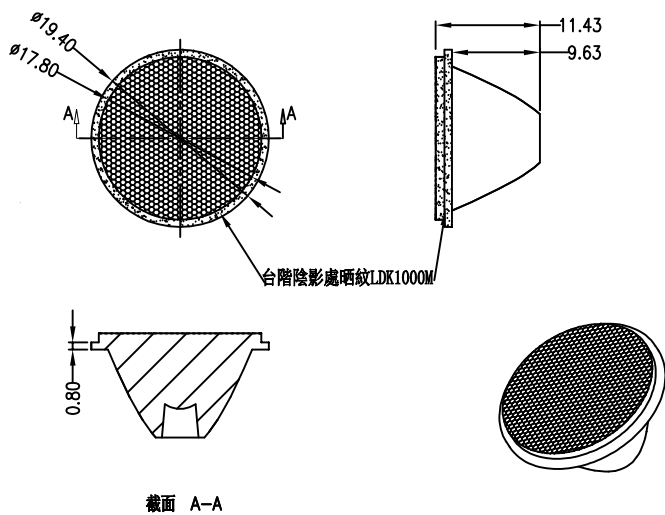
 Tape

 Fixing-ring

 Frame

Note: (1) All dimensions are in mm.
 (2) All measurements are ± 0.15 mm unless otherwise indicated.

2. Lens dimension

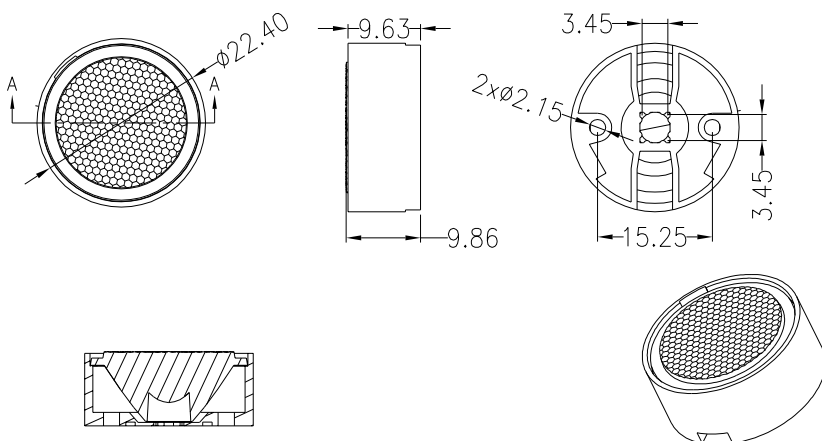


截面 A-A

3. Lens + Leds assembly instruction



4. Holder dimension



截面 A-A

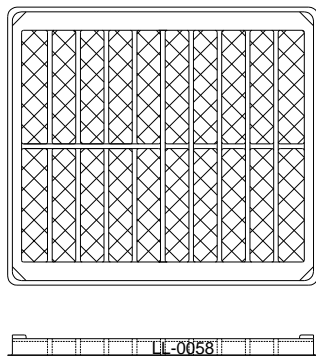
5. View assembly lens with LED:



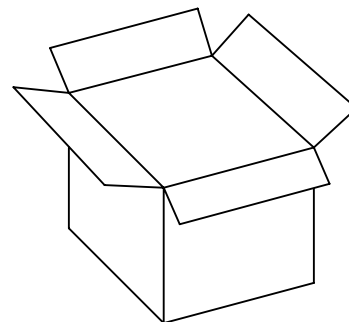
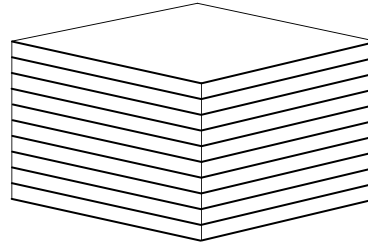
Holder part number : LL01ZZWB60H2

LL01ZZ-EXxxL06-U2 Package Specifications

Item	Quantity	Total	Size(L*W*H)	G.W
Plastic box	100 pcs/plastic box	100 pcs	33.5*30*1.8 cm	
Outer box	11 plastic box/Outer box	1100 pcs	35*31*21 cm	3.1g



100 pcs/Inner box



1100pcs/Outer box



Note: