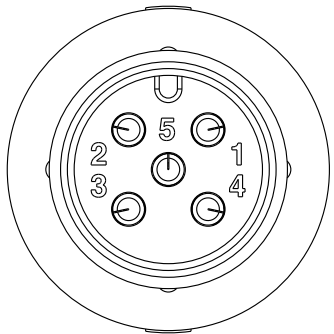
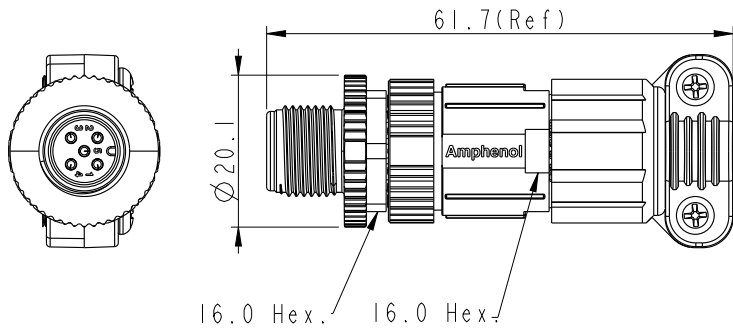
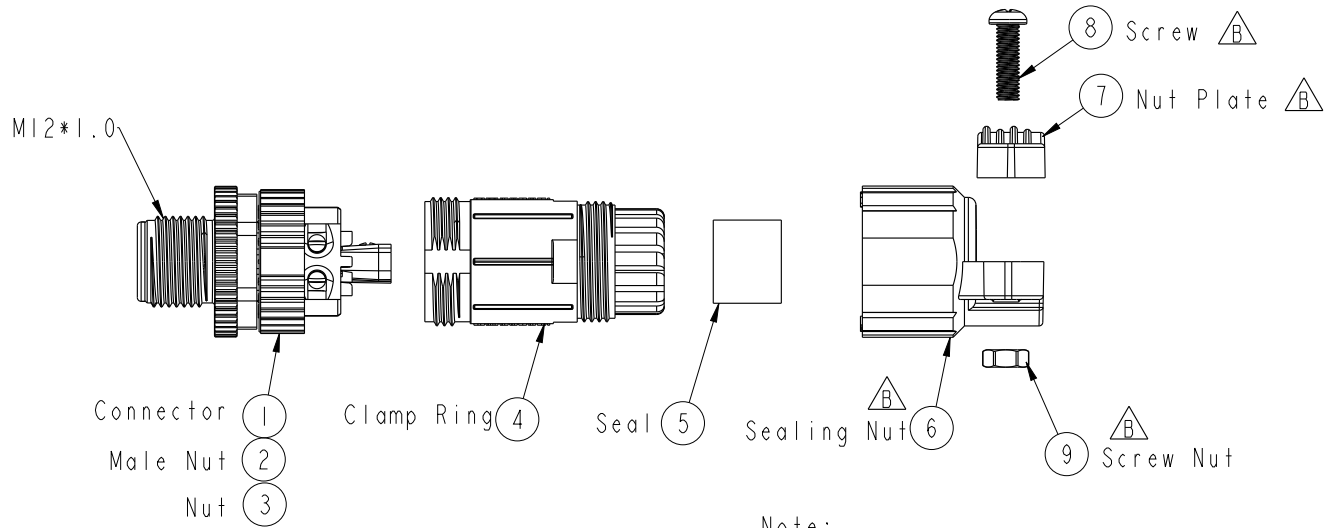


REV.	ECN NO.	DATE	SIGN	DESCRIPTION
A	Initial Release	2017-04-13	Frank Deng	Rev.01 To Rev.A
B	LE317B0192	2017-11-14	Frank Deng	Update Drawing

ALTW
CONFIDENTIAL
2017-11-14
R&D DEPT.



Pin Assignments
Front View

Note:

- * \varnothing Important Dimension To Check.
- * Waterproof Rate: IP67
- * Housing: Nylon, Black
- * Male Pin: Copper Alloy, Gold Plated
- * Male Nut: PBT+PC, Black
- * Nut: PBT+PC, Black
- * O-Ring: Silicon, Grey.
- * Clamp Ring: Nylon, Black
- * Seal: Silicon, Grey
- * Sealing Nut: Nylon+GF, Black
- * Nut Plate: Nylon+GF, Black
- * Seal For Cable OD: \varnothing 4.0mm~ \varnothing 8.0mm
- * Screws for Wire connection recommended tightening torque: 0.61~0.84 kgf.cm / 0.059~0.082 N.m
- * Applicable Wire gauge (Stranded wire cross section) 0.14mm² (26AWG) ~ 0.82mm² (18AWG)
- * Mating Recommended tightening torque: 4~6 kgf.cm / 0.39~0.59 N.m
- * Sealing-Nut Recommended tightening torque: 4~6 kgf.cm / 0.39~0.59 N.m
- * Detailed applicable wire specifications may vary depending on the actual wire construction.

ALTW
DCC. DEPT.
CONFIDENTIAL
2017.12.12
ISSUED

UNIT:mm		TITLE		ITEM NO		DRAWN BY		DATE
		NMEA MICRO-C, FIELD INSTALLABLE 5PIN, S/T, M CONN M PIN, PLASTIC		HPC-05BMMB-SL7001		Frank Deng		2017-11-14
TOLERANCE		SCALE	SIZE	SHEET	OF	CHECKED BY		DATE
.X ±0.25		1:1	A4	1	1	Fisher Wang		2017-11-14
.XX ±0.1	REV.	WC-REV.	Inspection item		CUSTOMER		APPROVED BY	
.XXX ±0.05	B	A.2			ALTW		Kevin Hu	
ANGLES ±1°							DATE	
							2017-11-14	

Amphenol LTW
安費諾亮泰企業股份有限公司

THIS DOCUMENT IS SUBJECT TO CHANGE WITHOUT NOTICE. IT IS CONFIDENTIAL AND A PROPERTY OF Amphenol LTW. DISCLOSURE TO THIRD PARTY HAS TO BE AUTHORIZED BY Amphenol LTW.