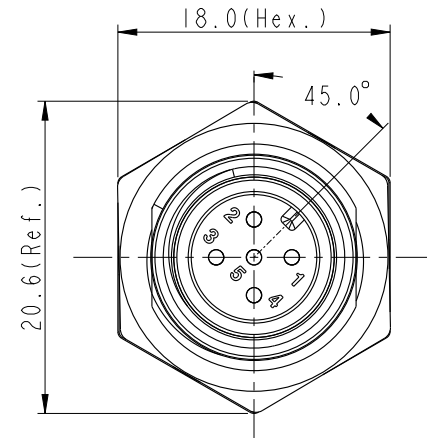
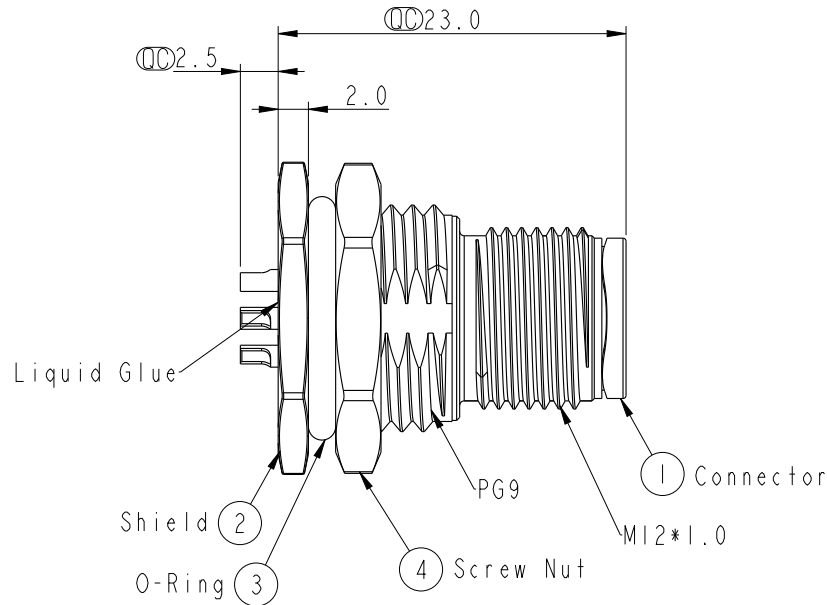
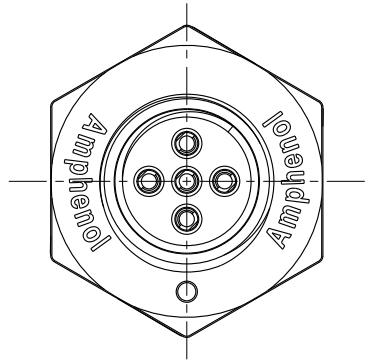
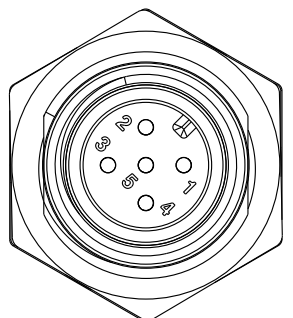


REV.	ECN NO.	DATE	SIGN	DESCRIPTION
A	Initial Release	2017-03-30	Frank Deng	Change Rev.01 To Rev.A
B	LEN1770183	2017-07-03	Frank Deng	Change Note

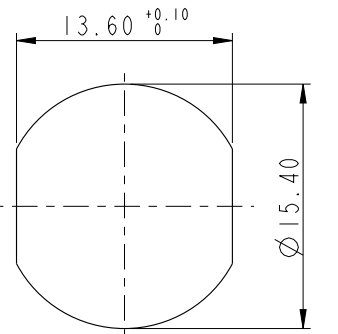
**ALTW**  
**CONFIDENTIAL**  
**2017-07-06**  
**R&D DEPT.**



**ALTW**  
**DCC. DEPT.**  
**CONFIDENTIAL**  
**2017.07.25**  
**ISSUED**



Pin Assignments  
Front View



Recommended  
Panel Cut-Out

- Note:**
- \*  $\varnothing$  Important Dimension.
  - \* Waterproof Rate: IP68.
  - \* IP68: 1M Depth Of Water In 24hours.
  - \* Housing: Nylon+GF, UL94V-0, fl, Black.
  - \* Male Pin: Copper Alloy, Gold Plated.
  - \* Shield: Zinc Alloy, Nickel Plated.
  - \* Panel Nut: Zinc Alloy, Nickel Plated.
  - \* O-Ring: Silicone, Gray.
  - \* For Panel Thickness Max 4.5mm.
  - \* Nut Torque: 4-6 Kgf.cm.

UNIT: mm		TITLE NMEA2000, MICRO-C, PANEL, SOLDER 5PIN, M CONN M PIN, METAL		<h1>Amphenol LTW</h1> <b>安費諾亮泰企業股份有限公司</b>	ITEM NO HMC-05PMMS-SF8001	DRAWN BY Frank Deng	DATE 2017-07-06
		TOLERANCE .X ±0.25 .XX ±0.1 .XXX ±0.05 ANGLES ±1°	SCALE 2:1		SIZE A4	SHEET 1 OF 1	DWG NO HMC-05PMMS-SF8001
		REV. B	WC-REV. A.2	$\varnothing$ : Inspection item	CUSTOMER ALTW	APPROVED BY Kevin Hu	DATE 2017-07-06

THIS DOCUMENT IS SUBJECT TO CHANGE WITHOUT NOTICE. IT IS CONFIDENTIAL AND A PROPERTY OF Amphenol LTW. DISCLOSURE TO THIRD PARTY HAS TO BE AUTHORIZED BY Amphenol LTW.