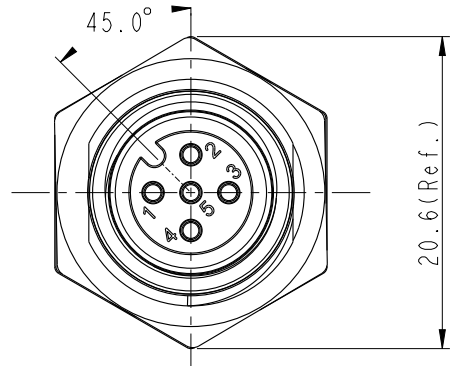
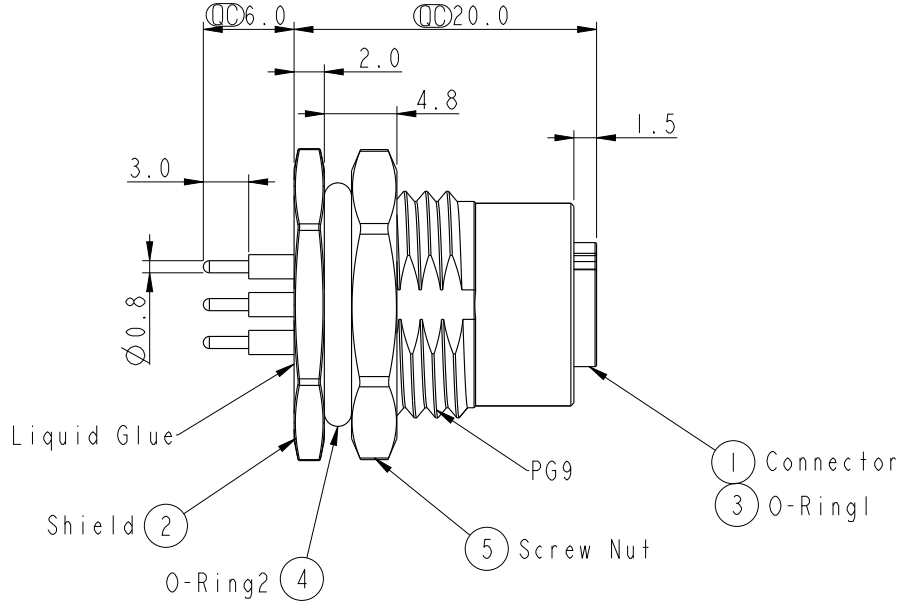
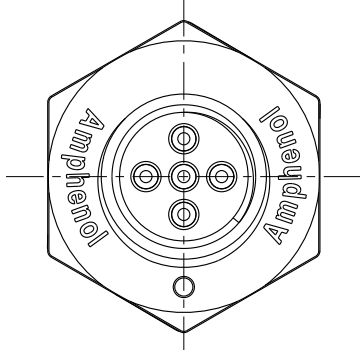


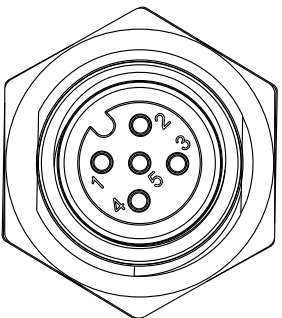
THIS DOCUMENT IS SUBJECT TO CHANGE WITHOUT NOTICE. IT IS CONFIDENTIAL AND A PROPERTY OF Amphenol LTW. DISCLOSURE TO THIRD PARTY HAS TO BE AUTHORIZED BY Amphenol LTW.

REV.	ECN NO.	DATE	SIGN	DESCRIPTION
A	Initial Release	2017-03-23	Frank Deng	Change Rev.01 To Rev.A
B	LEN1770181	2017-07-03	Frank Deng	Change Note

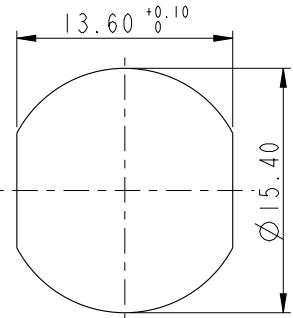
ALTW
CONFIDENTIAL
 2017-07-06
 R&D DEPT.



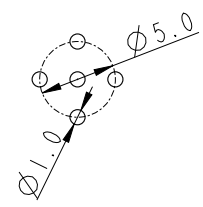
ALTW
 DCC. DEPT.
 CONFIDENTIAL
 2017.07.25
 ISSUED



Pin Assignments
Front View



Recommended
Panel Cut-Out



PCB Layout

- Note:**
- * \varnothing Important Dimension.
 - * Waterproof Rate: IP68.
 - * IP68: 1M Depth Of Water In 24hours.
 - * Housing: Nylon66, UL94V-0, fl, Black.
 - * Female Pin: Copper Alloy, Gold Plated.
 - * Shield: Zinc Alloy, Nickel Plated.
 - * O-Ring1: Silicone, Gray.
 - * O-Ring2: Silicone, Gray.
 - * Panel Nut: Zinc Alloy, Nickel Plated.
 - * For Panel Thickness Max 4.5mm.
 - * Nut Torque: 4-6 Kgf.cm.

UNIT: mm		TITLE NMEA2000, MICRO-C, PANEL, PCB TYPE 5PIN, F CONN F PIN, METAL		<h1>Amphenol LTW</h1> 安費諾亮泰企業股份有限公司		ITEM NO HMC-05PFFP-SF8001	DRAWN BY Frank Deng	DATE 2017-07-06
		TOLERANCE .X ±0.25 .XX ±0.1 .XXX ±0.05 ANGLES ±1°	SCALE 2:1			SIZE A4	SHEET 1	OF 1
REV. B		WC-REV. A.1	\varnothing : Inspection item		CUSTOMER ALTW	APPROVED BY Kevin Hu	DATE 2017-07-06	