



FEATURES

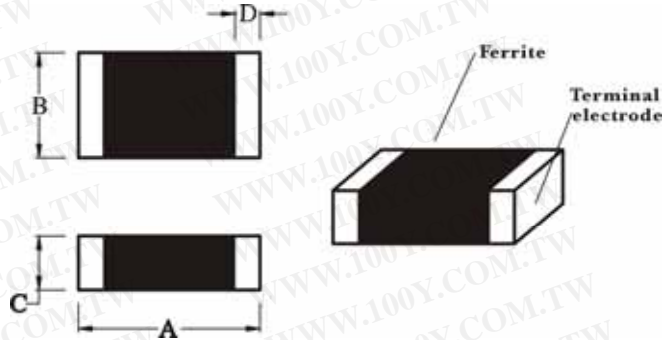
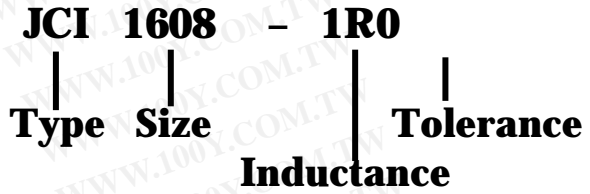
- Inductance is from 47nH to 33uH
- Offer an effective solution for PCB designs
- Excellent solderability and high heat resistance for ei flow or reflow soldering
- Closed magnetic circuit to avoid crosstalk

APPLICATIONS

- Notebook PC, digital TV and VTRs
- Printers, hard disk and personal computers
- Noise elimination for I/O lines of general consumer and computers products

DIMENSIONS (mm)

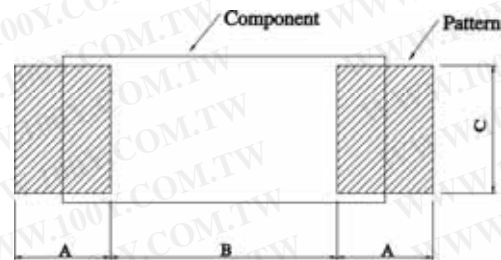
PRODUCT IDENTIFICATION



No.	Part No.	Size (mm)			
		A	B	C	D
1	JCI 1608 (0603) 47N~100	1.6 ± 0.2	0.8 ± 0.2	0.80 ± 0.2	0.3 ± 0.2
2	JCI 2012 (0805) 47N~2R2	2.0 ± 0.2	1.2 ± 0.2	0.90 ± 0.2	0.5 ± 0.3
3	JCI 2012 (0805) 2R7~150	2.0 ± 0.2	1.2 ± 0.2	1.20 ± 0.2	0.5 ± 0.3
4	JCI 2012 (0805) 180~330	2.0 ± 0.2	1.2 ± 0.2	1.25 ± 0.2	0.5 ± 0.3
5	JCI 3216 (1206) 47N~120	3.2 ± 0.2	1.6 ± 0.2	1.10 ± 0.2	0.5 ± 0.3
6	JCI 3216 (1206) 120~330	3.2 ± 0.2	1.6 ± 0.2	1.60 ± 0.2	0.5 ± 0.3

RECOMMENDED PATTERN

Type	A	B	C
JCI 1608 (0603)	0.7	0.7	0.7
JCI 2012 (0805)	0.8	1.0	1.0
JCI 3216 (1206)	1.1	2.2	1.4



PACKAGE

Size	JCI 1608	JCI 2012 (47N~2R2)	JCI 2012 (2R7~330)	JCI 3216
Q'TY/Reel	4,000	4,000	3,000	3,000

勝特力材料 886-3-5753170
 勝特力电子(上海) 86-21-34970699
 勝特力电子(深圳) 86-755-83298787
[Http://www.100y.com.tw](http://www.100y.com.tw)

No.	Part No.	Inductance (μ H)	Tolerance	Q Min.	Test Freq. (MHz)	SRF Min. (MHz)	RDC Max. (Ω)	IDC Max. (mA)
1	JCI 1608-47NM	0.047	M	10	50	260	0.30	50
2	JCI 1608-68NM	0.068	M	10	50	250	0.30	50
3	JCI 1608-R10	0.10	K,M	15	25	240	0.50	50
4	JCI 1608-R12	0.12	K,M	15	25	205	0.50	50
5	JCI 1608-R15	0.15	K,M	15	25	180	0.60	50
6	JCI 1608-R18	0.18	K,M	15	25	165	0.60	50
7	JCI 1608-R22	0.22	K,M	15	25	150	0.80	50
8	JCI 1608-R27	0.27	K,M	15	25	136	0.80	50
9	JCI 1608-R33	0.33	K,M	15	25	125	0.85	35
10	JCI 1608-R39	0.39	K,M	15	25	110	1.00	35
11	JCI 1608-R47	0.47	K,M	15	25	105	1.35	35
12	JCI 1608-R56	0.56	K,M	15	25	95	1.55	35
13	JCI 1608-R68	0.68	K,M	15	25	90	1.70	35
14	JCI 1608-R82	0.82	K,M	15	25	85	2.10	35
15	JCI 1608-1R0	1.0	K,M	35	10	75	0.60	25
16	JCI 1608-1R2	1.2	K,M	35	10	65	0.80	25
17	JCI 1608-1R5	1.5	K,M	35	10	60	0.80	25
18	JCI 1608-1R8	1.8	K,M	35	10	55	0.95	25
19	JCI 1608-2R2	2.2	K,M	35	10	50	1.15	15
20	JCI 1608-2R7	2.7	K,M	35	10	45	1.35	15
21	JCI 1608-3R3	3.3	K,M	35	10	40	1.55	15
22	JCI 1608-3R9	3.9	K,M	35	10	35	1.70	15
23	JCI 1608-4R7	4.7	K,M	35	10	33	2.10	15
24	JCI 1608-5R6	5.6	K,M	35	4	22	1.55	5
25	JCI 1608-6R8	6.8	K,M	35	4	20	1.70	5
26	JCI 1608-8R2	8.2	K,M	35	4	18	2.10	5
27	JCI 1608-100	10.0	K,M	30	2	17	1.85	3

: Tolerance : K = \pm 10% ; M = \pm 20%

勝特力材料 886-3-5753170
 勝特力电子(上海) 86-21-34970699
 勝特力电子(深圳) 86-755-83298787
[Http://www.100y.com.tw](http://www.100y.com.tw)

No.	Part No.	Inductance	Tolerance	Thickness	Q	Test Freq.	SRF Min.	RDC Max.	IDC Max.
		(μ H)		mm	Min.	(MHz)	(MHz)	(Ω)	(mA)
1	JCI 2012-47NM	0.047	M	0.90 \pm 0.2	15	50	320	0.20	300
2	JCI 2012-68NM	0.068	M	0.90 \pm 0.2	15	50	280	0.20	300
3	JCI 2012-82NM	0.082	M	0.90 \pm 0.2	15	50	255	0.20	300
4	JCI 2012-R10	0.100	K,M	0.90 \pm 0.2	20	25	235	0.30	250
5	JCI 2012-R12	0.120	K,M	0.90 \pm 0.2	20	25	220	0.30	250
6	JCI 2012-R15	0.150	K,M	0.90 \pm 0.2	20	25	200	0.40	250
7	JCI 2012-R18	0.180	K,M	0.90 \pm 0.2	20	25	185	0.40	250
8	JCI 2012-R22	0.220	K,M	0.90 \pm 0.2	20	25	170	0.50	250
9	JCI 2012-R27	0.270	K,M	0.90 \pm 0.2	20	25	150	0.50	250
10	JCI 2012-R33	0.330	K,M	0.90 \pm 0.2	20	25	145	0.55	250
11	JCI 2012-R39	0.390	K,M	0.90 \pm 0.2	25	25	135	0.65	200
12	JCI 2012-R47	0.470	K,M	0.90 \pm 0.2	25	25	125	0.65	200
13	JCI 2012-R56	0.560	K,M	0.90 \pm 0.2	25	25	115	0.75	150
14	JCI 2012-R68	0.680	K,M	0.90 \pm 0.2	25	25	105	0.80	150
15	JCI 2012-R82	0.820	K,M	0.90 \pm 0.2	25	25	100	1.00	150
16	JCI 2012-1R0	1.000	K,M	0.90 \pm 0.2	45	10	75	0.40	50
17	JCI 2012-1R2	1.200	K,M	0.90 \pm 0.2	45	10	65	0.50	50
18	JCI 2012-1R5	1.500	K,M	0.90 \pm 0.2	45	10	60	0.50	50
19	JCI 2012-1R8	1.800	K,M	0.90 \pm 0.2	45	10	55	0.60	50
20	JCI 2012-2R2	2.200	K,M	0.90 \pm 0.2	45	10	50	0.65	30
21	JCI 2012-2R7	2.700	K,M	1.20 \pm 0.2	45	10	45	0.75	30
22	JCI 2012-3R3	3.300	K,M	1.20 \pm 0.2	45	10	41	0.80	30
23	JCI 2012-3R9	3.900	K,M	1.20 \pm 0.2	45	10	38	0.90	30
24	JCI 2012-4R7	4.700	K,M	1.20 \pm 0.2	45	10	35	1.00	30
25	JCI 2012-5R6	5.600	K,M	1.20 \pm 0.2	50	4	32	0.90	15
26	JCI 2012-6R8	6.800	K,M	1.20 \pm 0.2	50	4	29	1.00	15
27	JCI 2012-8R2	8.200	K,M	1.20 \pm 0.2	50	2	26	1.10	15
28	JCI 2012-100	10.000	K,M	1.20 \pm 0.2	50	2	24	1.15	15
29	JCI 2012-120	12.000	K,M	1.20 \pm 0.2	50	2	22	1.25	15
30	JCI 2012-150	15.000	K,M	1.20 \pm 0.2	30	1	19	0.80	5
31	JCI 2012-180	18.000	K,M	1.25 \pm 0.2	30	1	18	0.90	5
32	JCI 2012-220	22.000	K,M	1.25 \pm 0.2	30	1	16	1.10	5
33	JCI 2012-270	27.000	K,M	1.25 \pm 0.2	30	1	14	1.15	5
34	JCI 2012-330	33.00	K,M	1.25 \pm 0.2	30	0.4	13	1.25	5

Please notes JCI 2012 series thickness, there are three types of thickness in this series.

: Tolerance : K = \pm 10% ; M = \pm 20%

勝特力材料 886-3-5753170
 勝特力电子(上海) 86-21-34970699
 勝特力电子(深圳) 86-755-83298787
[Http://www.100y.com.tw](http://www.100y.com.tw)

No.	Part No.	Inductance (μ H)	Tolerance	Q Min.	Test Freq. (MHz)	SRF Min. (MHz)	RDC Max. (Ω)	IDC Max. (mA)
1	JCI 3216-47NM	0.047	M	20	50	320	0.15	300
2	JCI 3216-68NM	0.068	M	20	50	280	0.25	300
3	JCI 3216-82NM	0.082	M	20	50	255	0.25	300
4	JCI 3216-R10	0.100	K,M	20	25	235	0.25	250
5	JCI 3216-R12	0.120	K,M	20	25	220	0.30	250
6	JCI 3216-R15	0.150	K,M	20	25	200	0.30	250
7	JCI 3216-R18	0.180	K,M	20	25	185	0.40	250
8	JCI 3216-R22	0.220	K,M	20	25	170	0.40	250
9	JCI 3216-R27	0.270	K,M	20	25	150	0.50	250
10	JCI 3216-R33	0.330	K,M	20	25	145	0.60	250
11	JCI 3216-R39	0.390	K,M	25	25	135	0.50	200
12	JCI 3216-R47	0.470	K,M	25	25	125	0.60	200
13	JCI 3216-R56	0.560	K,M	25	25	115	0.70	150
14	JCI 3216-R68	0.680	K,M	25	25	105	0.80	150
15	JCI 3216-R82	0.820	K,M	25	25	100	0.90	150
16	JCI 3216-1R0	1.000	K,M	45	10	75	0.40	100
17	JCI 3216-1R2	1.200	K,M	45	10	65	0.50	100
18	JCI 3216-1R5	1.500	K,M	45	10	60	0.50	50
19	JCI 3216-1R8	1.800	K,M	45	10	55	0.50	50
20	JCI 3216-2R2	2.200	K,M	45	10	50	0.60	50
21	JCI 3216-2R7	2.700	K,M	45	10	45	0.60	50
22	JCI 3216-3R3	3.300	K,M	45	10	41	0.70	50
23	JCI 3216-3R9	3.900	K,M	45	10	38	0.80	50
24	JCI 3216-4R7	4.700	K,M	45	10	35	0.90	50
25	JCI 3216-5R6	5.600	K,M	50	4	32	0.70	25
26	JCI 3216-6R8	6.800	K,M	50	4	29	0.80	25
27	JCI 3216-8R2	8.200	K,M	50	4	26	0.90	25
28	JCI 3216-100	10.000	K,M	50	2	24	1.00	25
29	JCI 3216-120	12.000	K,M	50	2	22	1.05	15
30	JCI 3216-150	15.000	K,M	35	1	19	0.70	5
31	JCI 3216-180	18.000	K,M	35	1	18	0.70	5
32	JCI 3216-220	22.000	K,M	35	1	16	0.90	5
33	JCI 3216-270	27.000	K,M	35	1	14	0.90	5
34	JCI 3216-330	33.000	K,M	35	0.4	13	1.05	5

: Tolerance : K = \pm 10% ; M = \pm 20%