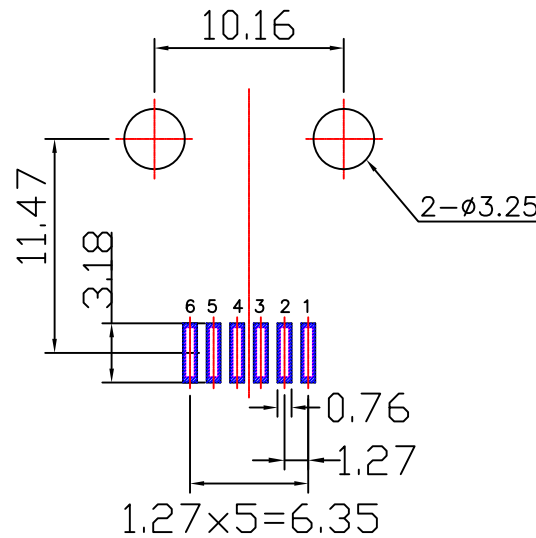
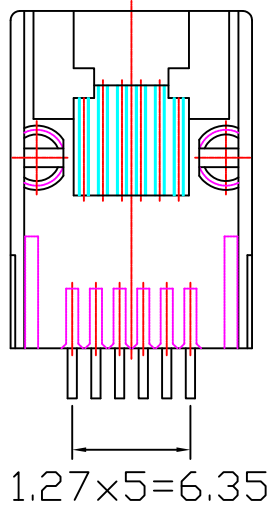
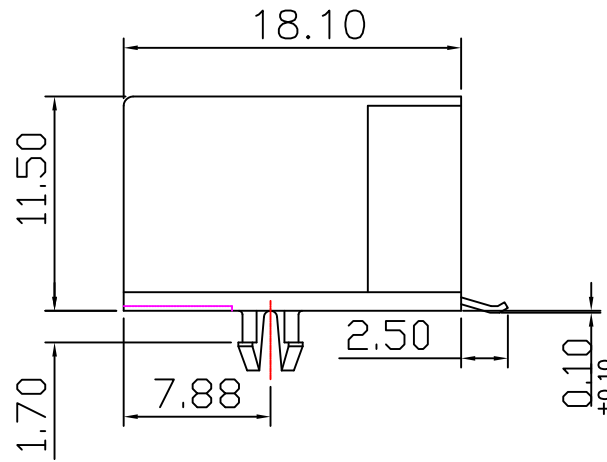
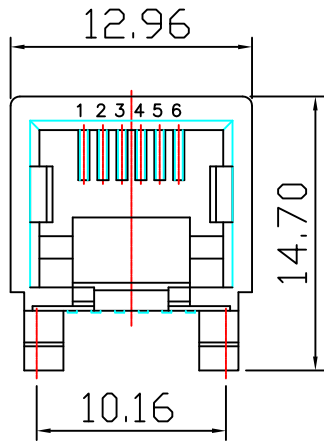


Mechanical:

REW.	ECN NO.	DESCRIPTION	DATE	APPD
A	REL		2015-11-28	



PCB LAYOUT/TOP VIEW

NOTES:

Electrical:

- 1. Voltage rating : 125 VAC RMS
- 2. Current Rating : 1.5 AMP
- 3. Contact resistance : 50 mΩ Max
- 4. Insulation resistance : 500 MΩ Min @500V DC
- 5. Dielectric strength : 1000 VAC RMS 60Hz, 1MIN.

MECHANICAL:

- 1. Housing & Insert Material : LCP UL94V-0
- 2. Contact Material : Phospor bronze T=0.35mm
- 3. Operating Life : 750 Cycles Min.

ENVIRONMENTAL:

- 1. Storage : -40°C ~ +85°C
- 2. Operation : -40°C ~ +85°C.
- 3. Reflow solder temperature : 260°C 5 Sec MAX
- 4. UL Certification : File Number E484635.



X:X	±0.30	APPD:	LINK-PP INT'L TECHNOLOGY CO., LIMITED	
X:XX	±0.25	CHKD:	TITLE: SMT RJ11 Connector	
X:XXX	±0.05	DR: TOM	PART NO.: LPJE966NNL	
ANGLES	±1°	UNIT: mm	DWG NO.: LP15112899	
	SCALE: 1/1	SHEET: 1/1	REV: A	