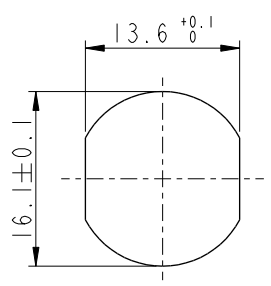
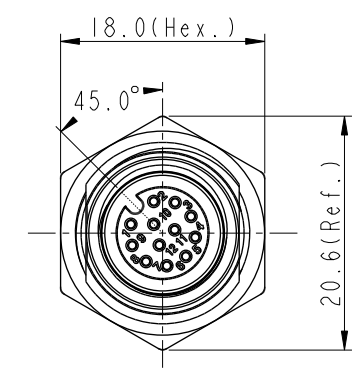
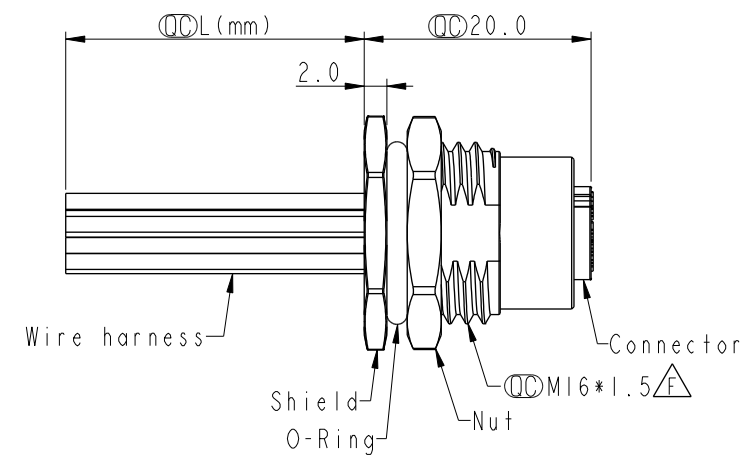
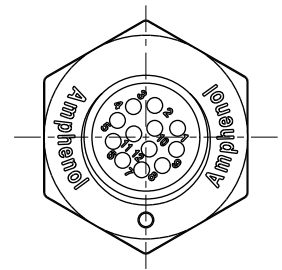


THIS DOCUMENT IS SUBJECT TO CHANGE WITHOUT NOTICE. IT IS CONFIDENTIAL AND A PROPERTY OF Amphenol LTW. DISCLOSURE TO THIRD PARTY HAS TO BE AUTHORIZED BY Amphenol LTW.

REV.	ECN NO.	DATE	SIGN	DESCRIPTION
E	BOMR19100207	2019/10/29	Peng	Add 17Pin
F	C201604	2020/10/20	Ruru	$\triangle F$ X8
G	C210239	2021/04/13	Ruru	$\triangle G$ X4



Recommended Panel Cut-Out

- Note: $\triangle C$ $\triangle D$ $\triangle F$ $\triangle G$
- * RoHS Compliant
 - * \odot Important dimension
 - * Waterproof rate: IPX8, unmated 1m/24h
IPX9K, unmated
 - * Connector
Housing: Thermoplastic, Black
Pin: Copper alloy, Gold plated
O-Ring: Rubber, Green
 - * Shield: Metal
 - * Nut: Metal
 - * O-Ring: Rubber, Black
 - * Wire harness: UL1061
 - * For panel thickness max: 4.5mm
 - * O-Ring and nut are assembled on connectors
 - * Wire harness tolerance: 100mm: ± 10 mm
100mm < L \leq 300mm: ± 15 mm
300mm < L \leq 1000mm: ± 20 mm
1000mm < L \leq 1500mm: ± 50 mm


UNIT: mm		
TOLERANCE	± 0.25	± 0.1
.X	± 0.1	
.XX	± 0.05	
.XXX	± 0.05	
ANGLES	$\pm 1^\circ$	

TITLE N SEN, M12 A, SCREW RECEPTACLE, F, F, SOLDER $\triangle G$		
SCALE 3:2	SIZE A4	SHEET 1 OF 2
REV. G	WC-REV. A.3	\odot : Inspection item

Amphenol LTW
安費諾亮泰企業股份有限公司

ITEM NO.	DRAWN BY Ruru	DATE 2019-09-19
DWG NO. $\triangle E$ M12A-XXPFFS-SF8CXX	CHECKED BY Rita	DATE 2019-09-19
CUSTOMER ALTW	APPROVED BY Max	DATE 2019-09-19

THIS DOCUMENT IS SUBJECT TO CHANGE WITHOUT NOTICE. IT IS CONFIDENTIAL AND A PROPERTY OF Amphenol LTW. DISCLOSURE TO THIRD PARTY HAS TO BE AUTHORIZED BY Amphenol LTW.

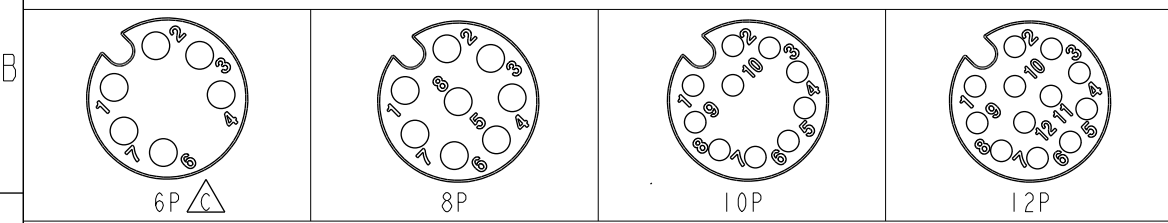
	12P	26	M12A-12PFFS-SF8CXX
	10P		M12A-10PFFS-SF8CXX
	8P	24	M12A-08PFFS-SF8CXX
	6P		M12A-06PFFS-SF8CXX
Contacts	AWG	Item No.	

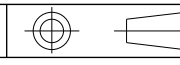
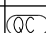

 M12A-XXPFFS-SF8CXX

XX: No. Of Pin
 10: 100mm
 15: 150mm
 20: 200mm
 }
 95: 950mm
 Cable Pitch Unit=50mm

 A0: 1000mm
 }
 A5: 1500mm
 Cable Pitch Unit=100mm
 Wire Length (L): 150~1500 mm

8	--	8	Red	紅	8	Red	紅	8	Red	紅
7	Blue	7	Blue	藍	7	Blue	藍	7	Blue	藍
6	Pink	6	Pink	粉	6	Pink	粉	6	Pink	粉
5	--	5	Gray	灰	5	Gray	灰	5	Gray	灰
4	Yellow	4	Yellow	黃	4	Yellow	黃	4	Yellow	黃
3	Green	3	Green	綠	3	Green	綠	3	Green	綠
2	Brown	2	Brown	棕	2	Brown	棕	2	Brown	棕
1	White	1	White	白	1	White	白	1	White	白
Pin #	Wire	Pin #	Wire		Pin #	Wire		Pin #	Wire	



UNIT: mm  TOLERANCE .X ±0.25 .XX ±0.1 .XXX ±0.05 ANGLES ±1°	TITLE N SEN, M12 A, SCREW RECEPTACLE, F, F, SOLDER 		<h1 style="text-align: center;">Amphenol LTW</h1> <h2 style="text-align: center;">安費諾亮泰企業股份有限公司</h2>		ITEM NO	DRAWN BY	DATE
	SCALE 3:2	SIZE A4			SHEET 2 OF 2	DWG NO  M12A-XXPFFS-SF8CXX	CHECKED BY
	REV. G	WC-REV. A.3	 : Inspection item	CUSTOMER ALTW	APPROVED BY	DATE	