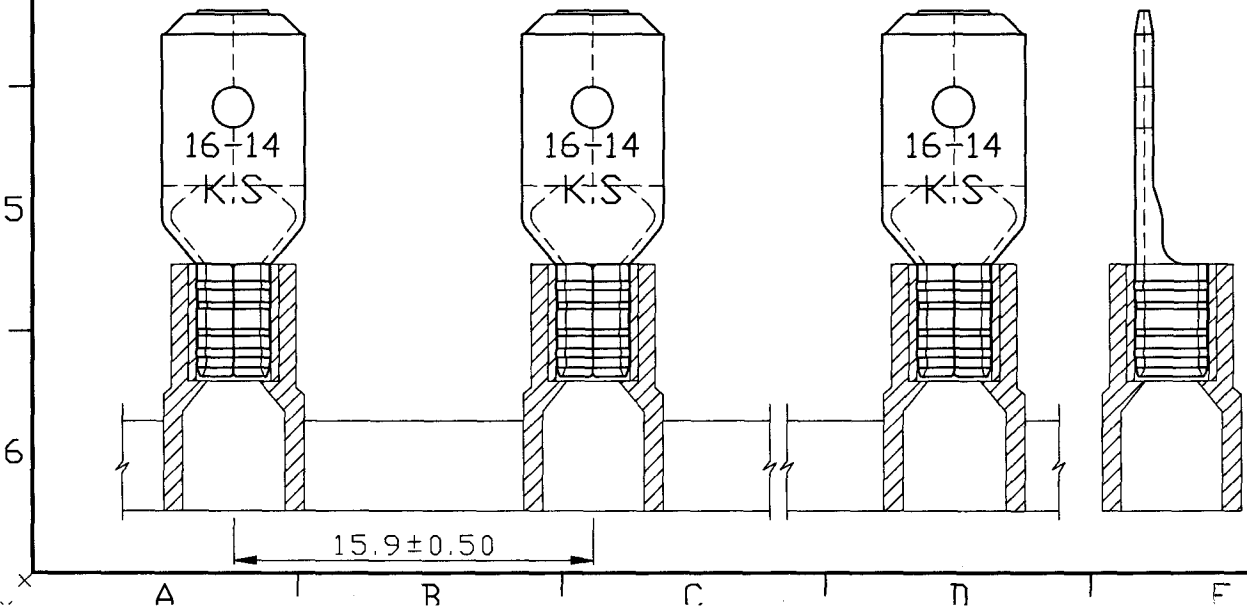


REV	DESCRIPTION	DATE
-----	-------------	------

- NOTE :
1. MAXIMUM ELECTRIC CURRENT :

A.W.G.	16	14	
AMP.	10	15	
 2. MAXIMUM ELECTRICAL RATING : 105°C 600 VOLTS MAX.
 3. INSULATION MATERIAL : NYLON
 4. INSULATION COLOR : BLUE
 5. TERMINAL MATERIAL : BRASS
 6. WIRE RANGE : 16-14 A.W.G. (1.5-2.5 mm²)
 7. NEMA TAB : 0.032 * 0.250 (0.8 * 6.35)
 8. DOUBLE CRIMP : WITH SHORT COPPER SLEEVE ON BARREL
 9. TERMINAL SURFACE TREATMENT : TIN PLATED
 10. TERMINAL THICKNESS : 0.40 mm



Tolerance Unless Otherwise Specified	
0 > 6 mm ± 0.20	ANGLE
6 > 18 mm ± 0.30	0° ° REF ±
18 > 30 mm ± 0.40	° ° ±
30 > 75 mm ± 0.50	° ° ±

NAME	PLASTIC STRIP ON REEL TYPE (NYLON-INSULATED PS SERIES)		UNIT	
PART NO.	MDNYDX2-250-PS	MATERIAL	-----	APPROVE
NUMBER	KA-96246-C	SCALE	SHEET PAGE	CHECKED
DATE	2007/02/12	3/1	1-0 10F1	DRAWN

KST. K.S. TERMINALS INC.