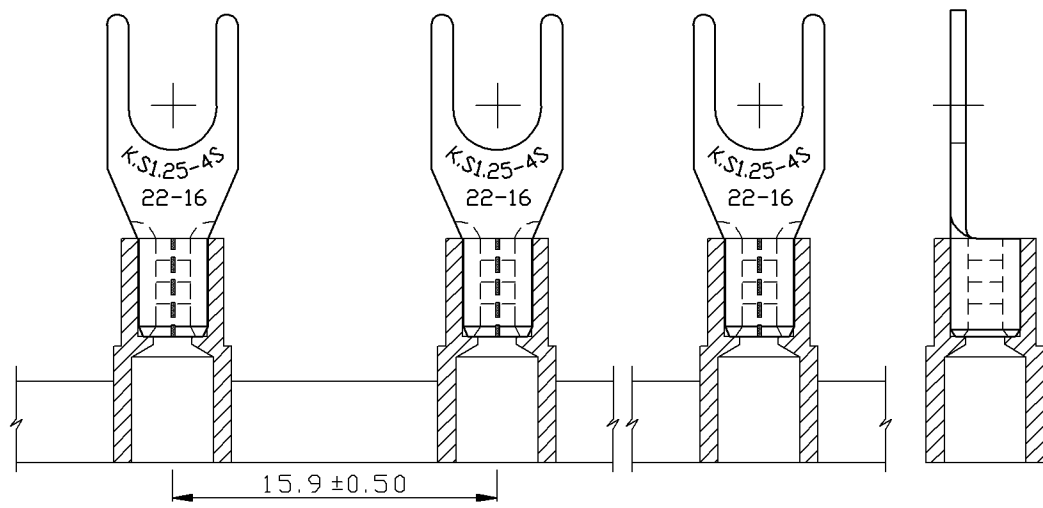


REV	DESCRIPTION	DATE
-----	-------------	------

- NOTE :
1. MAXIMUM ELECTRIC CURRENT : 

A.W.G.	22	20	18	16
AMP.	9	17	17	18
  2. MAXIMUM ELECTRICAL RATING : 105°C 600 VOLTS MAX.
  3. INSULATION MATERIAL : NYLON
  4. INSULATION COLOR : RED
  5. TERMINAL MATERIAL : COPPER
  6. WIRE RANGE : 22-16 A.W.G. ( 0.5-1.5 mm<sup>2</sup> )
  7. TERMINAL SURFACE TREATMENT : TIN PLATED
  8. TERMINAL THICKNESS : 0.75 mm



Tolerance Unless Otherwise Specified	
0 >	mm ± ANGLE
>	mm ± 0° ° REF ±
>	mm ± ° ° ±
>	mm ± ° ° ±

NAME	PLASTIC-STRIP NYLON-INSULATED SPADE TERMINALS			UNIT	mm	
PART NO.	SNYBS1-4-PS	MATERIAL	-----	APPROVE		
NUMBER	KA-990287-C	SCALE	SHEET	PAGE	CHECKED	
DATE	2010/10/13	3/1	1-0	10F2	DRAWN	張馨尹

**KST. K.S. TERMINALS INC.**