

Constant Current LED Power Supply 1-10V Dimmable

1-10V Dimmable



Product description:

As independent application, compact power supply series was designed for LED down light, spot light, panel light, etc. Advanced output current design exclusively for COB chip, 1...10V dimmable version as optional choice. Thinner profile made this series practical for build-in application. Screwless cover made this series easy installation, high efficiency, highly reliable, and cost-effective choice for both residential and commercial uses.



Standards:

EN61347-1
EN61347-2-13
EN61547
EN55015
EN61000-3-2
EN61000-3-3
EN62384
EN62493

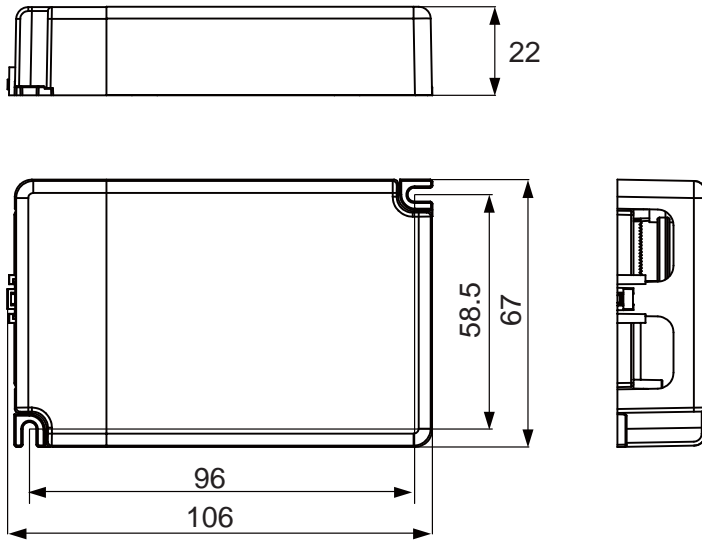
Characteristics:

- Independent power supply for constant current LED lamp
- 10-100% dimming range by 150kΩ potentiometer or 1-10V dimmer (electronic potentiometer)
- Super thin
- Suitable for both Class I and Class II Luminaires
- Terminal block input, terminal block output
- Class II protection against electric shock from direct and indirect contact
- SELV output
- Open circuit, short circuit, over load and over temperature protection
- Auto restart after fault conditions removal
- Efficiency 82% (AC230V, full load)

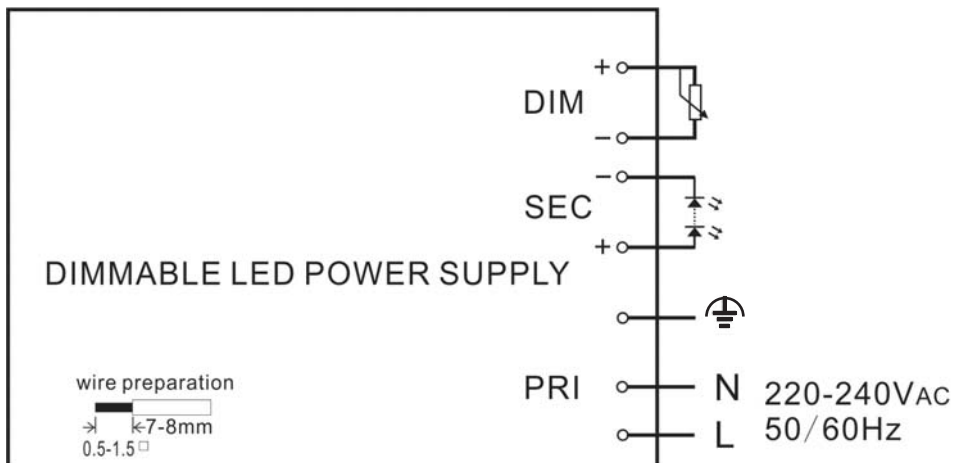
Specifications :

Model	SLD20-350ISA-E	SLD20-400ISA-E	SLD20-450ISA-E	SLD20-500ISA-E	
Output	turn on time(S)	≤0.5	≤0.5	≤0.5	≤0.5
	output current(mA)	350	400	450	500
	output current tolerance ^①	+/-6%	+/-6%	+/-6%	+/-6%
	ripple current(mA)	175(Ip-p)	200(Ip-p)	225(Ip-p)	250(Ip-p)
	working voltage range(V)	6-44	6-44	6-44	6-44
	Max. output voltage(V)	58	58	58	58
	dimming interface	1-10V			
	dimming range	10%-100%			
Input	rated supply voltage(Vac)	220-240	220-240	220-240	220-240
	voltage range(Vac)	198-264	198-264	198-264	198-264
	line frequency(Hz)	50/60	50/60	50/60	50/60
	input current(mA)	110	120	130	140
	efficiency ^②	80.0%	82.0%	81.0%	82.0%
	power factor ^②	0.95	0.95	0.95	0.95
	inrush current(Ipk)	5.5A/10us	5.5A/10us	5.5A/10us	5.5A/10us
Protection	over voltage protection	YES	YES	YES	YES
	short circuit protection	YES	YES	YES	YES
	over temperature protection	YES	YES	YES	YES
	automatic restart	YES	YES	YES	YES
	over load protection	YES	YES	YES	YES
	surge capacity	L-N:1KV L,N-PE:2KV	L-N:1KV L,N-PE:2KV	L-N:1KV L,N-PE:2KV	L-N:1KV L,N-PE:2KV
Ambient and Life	Ta(°C)	-20...50			
	Tc max. (°C)	80			
	Storage Temperature(°C)	-30...80			
	ambient humidity range	5%...85%RH, Not condensing			
	nominal life-time(hrs)	50'000@Tc=70 °C			
Other	weight(g)	130			
	dimensions (L×W×H)(mm)	106×67×22			
	casing material	Plastic			
	housing colour	White+Blue			
	type of protection	IP20			
	protection class	CLASS II			
Note	<p>1.Tolerance : includes set up tolerance, line regulation and load regulation. 2.Tested at full load,230Vac.Refer to"Power Factor" and "EFFICIENT"curve graphs. 3.All parameters NOT specially mentioned are measured at nominal voltage input, rated load and 25 of ambient temperature. 4.The power supply is considered as a component that will be operated in combination with final equipment. Since EMC performance will be affected by the complete installation, the final equipment manufacturers must re-qualify EMC Directive on the complete installation again.</p>				

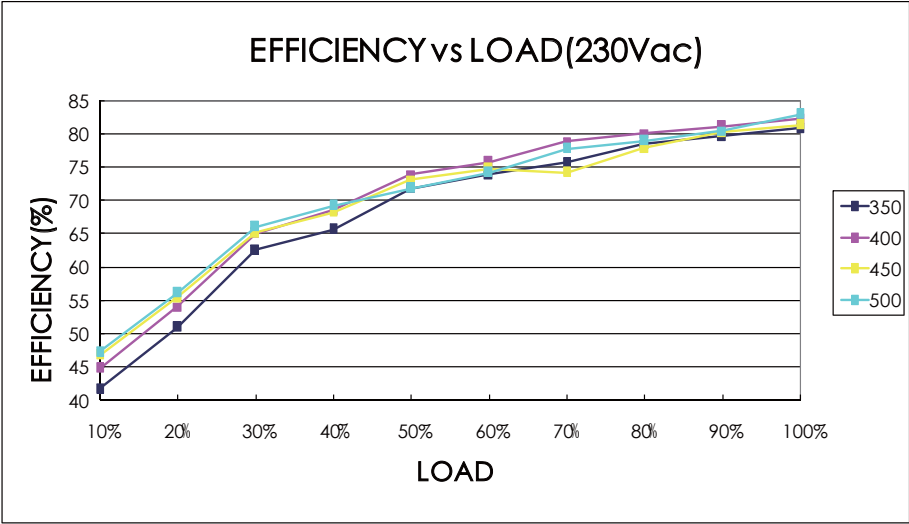
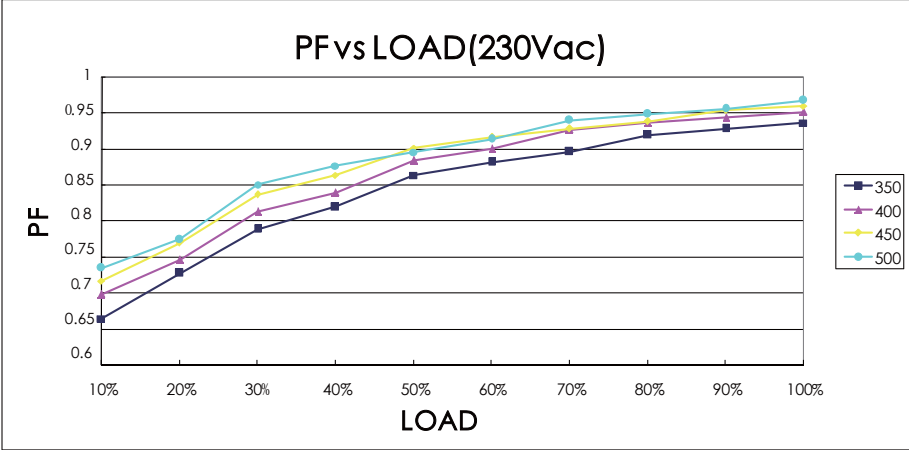
Dimensions(mm):



Wiring diagram:



Electrical curves:



note
 For constant current power supply, "LOAD" means the percentage of the maximum rated output voltage.
 For constant voltage power supply, "LOAD" means the percentage of the maximum rated output current.

Sales & Technical Support:

Self Electronics Co.,Ltd.

Add: No. 1345 Ju Xian Road, Ningbo Hi Tech Park, Ningbo, China

Tel: 0086-574-28805765,28805658(For English Assistance)

0086-574-28805678 (For Chinese Assistance)

Fax: 0086-574-28805656

E-mail: sales@self-ecg.com

<http://www.self-ecg.com>

Self Electronics Co.,Ltd.,Shenzhen Office

Add: Room2007,Xinglang Xuan,Xinghe Mingju,Fuming Road,Futian District,Shenzhen

Tel: 0086-755-83558850, 83558851

Fax: 0086-755-83558840

SELF ELECTRONICS GERMANY GMBH

Add:August-Horch-Str. 7,51149 Koeln

Tel: 0049 2203 18501-0

Fax: 0049 2203 18501-199

E-mail: saleseu@self-electronics.com

*Due to continuous improvements and innovations,specifications are subjected to change without notice.