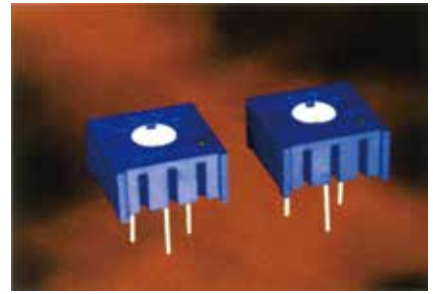


3386 玻璃釉预调电位器 Cermet Trimmer



电气特性 Electrical characteristics

标称阻值范围 Range of nominal resistance	100Ω ~ 2MΩ
阻值允许偏差 Resistance tolerance	± 10%
终端电阻 Terminal resistance	≤ 1%R 或 10Ω
接触电阻变化 Contact resistance variation	CRV ≤ 3%
绝缘电阻 Insulation resistance	R _i ≥ 1GΩ (100Vdc)
耐电压 Withstand voltage	600Vac
有效电行程 Effective electrical travel	> 总机械行程的 70% > 70% of Total mechanical travel

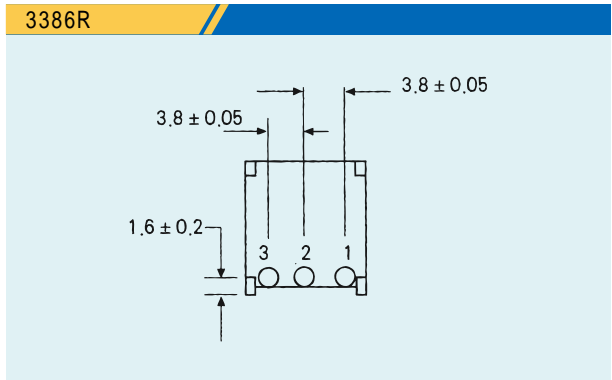
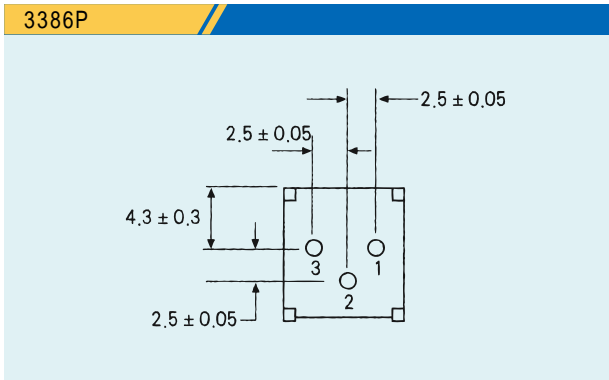
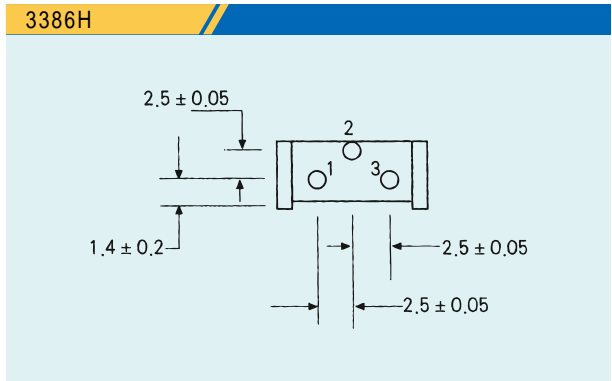
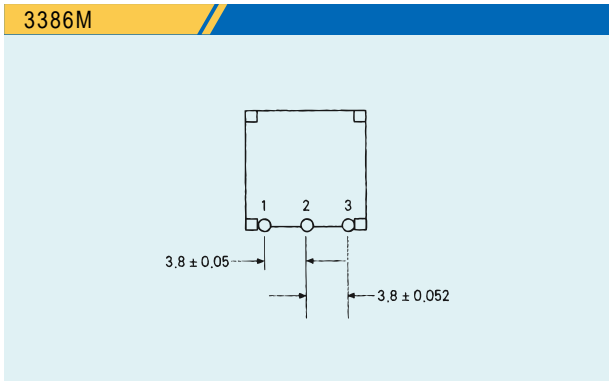
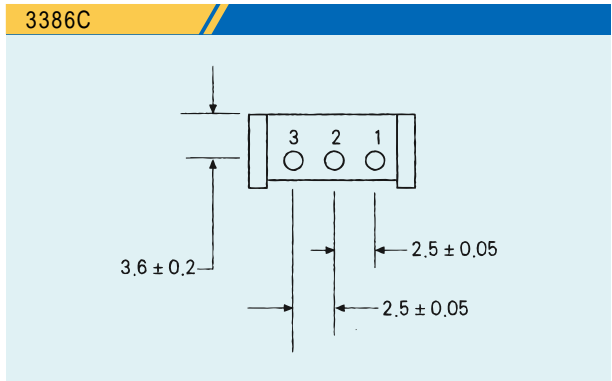
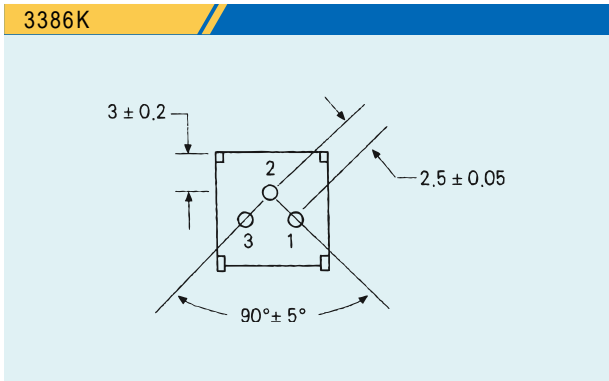
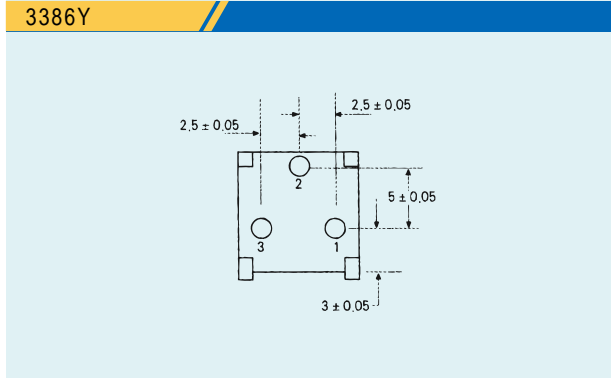
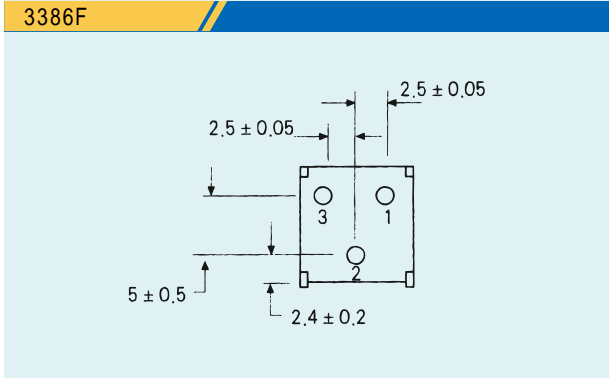
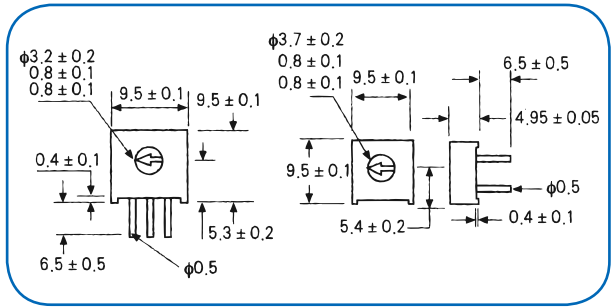
环境特性 Environmental characteristics

额定功率 Rated Power (200Vmax)	0.5W@85℃, 0W@100℃
温度范围 Temperature range	-55℃ ~ +100℃
温度系数 TCR	± 250ppm/℃ ± 100ppm/℃
碰撞 Collision	1000m/s ² , 16ms, 1000 次 ΔR ≤ ± 2%R. Δ(Uab/Uac) ≤ ± 10%
温度循环 Temperature cycle	-55℃, 30min, +100℃, 300min
循环 3 次 3cycle	ΔR ≤ ± 5%R, Δ(Uab/Uac) ≤ ± 10%
85℃电负荷 Electrical load at 85℃	0.5W, 96h ΔR ≤ ± 10%R, Δ(Uab/Uac) ≤ ± 10%
机械耐磨 Mechanical wear-resistance	100 周 ΔR ≤ ± 10%R
恒定湿热 Constant damp-heat	40 ± 2℃, 87 ~ 92%R.H.96h ΔR ≤ ± 5R, R ≥ 10MΩ

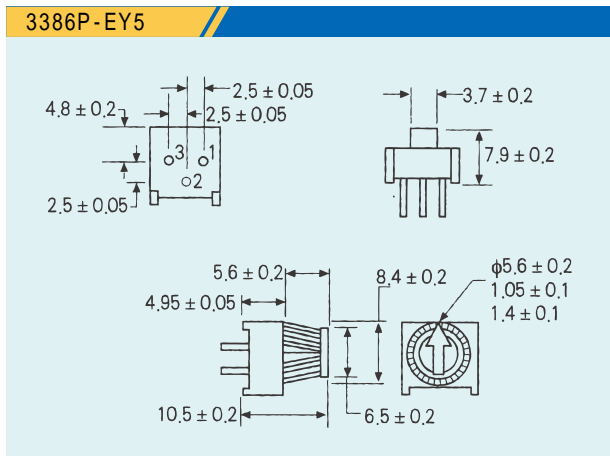
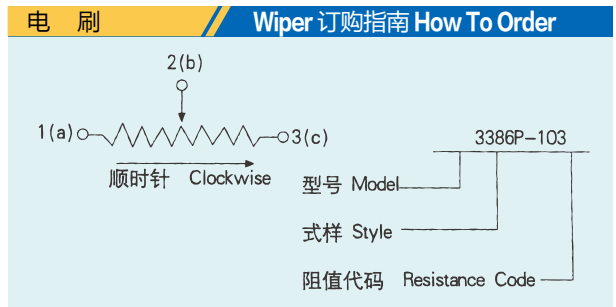
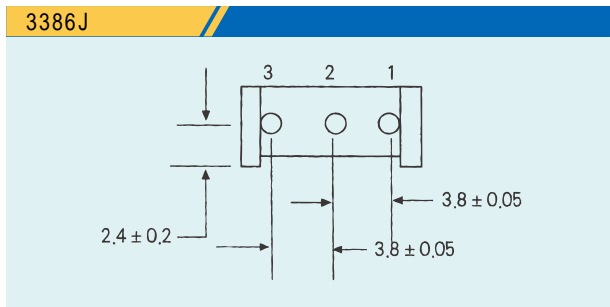
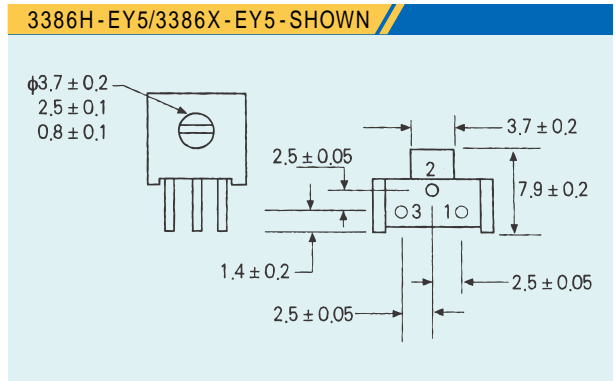
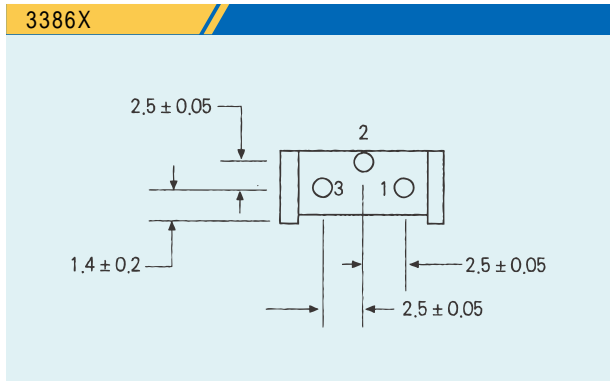
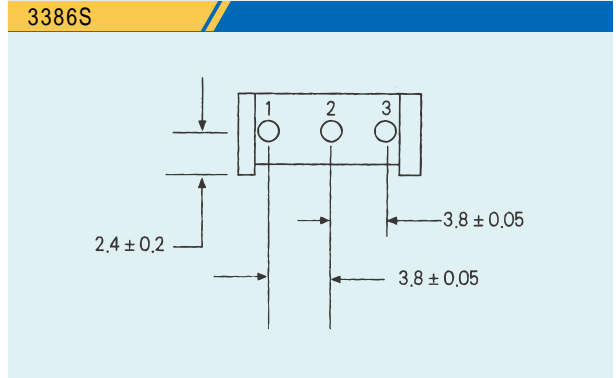
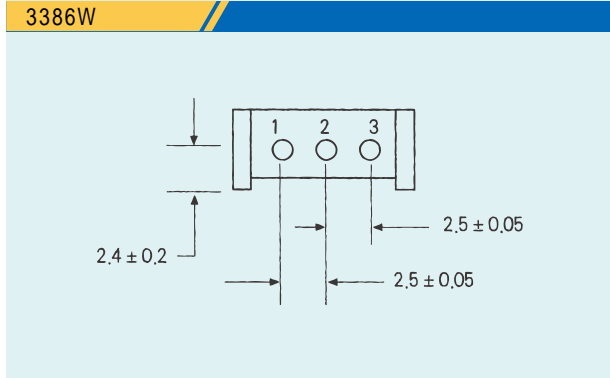
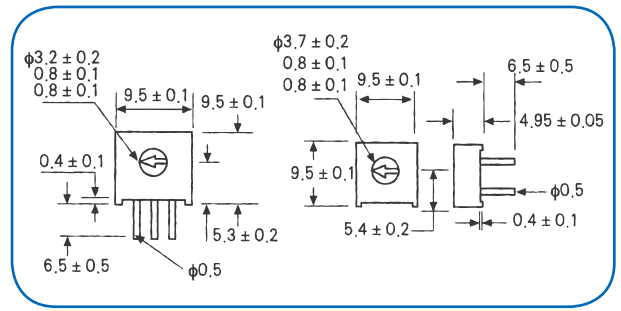
物理特性 Physical Characteristics

总机械转角 Total mechanical travel angle	280 ± 10°
起动力矩 Starting torque	≤ 35mN · m
标志 Mark	阻值代码、标称阻值 Type, nominal resistance 阻值允许偏差 Resistance tolerance
标准包装 Standard package	50 只 / 管, 50pcs/tube.

3386 玻璃釉预调电位器 Cermet Trimmer



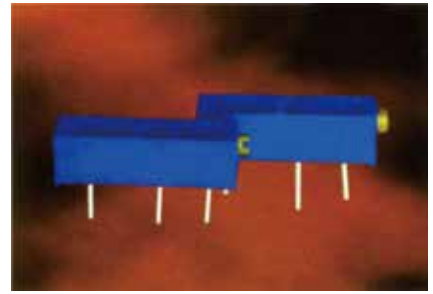
3386 玻璃釉预调电位器 Cermet Trimmer



标准阻值表 Standard Resistance Table

阻值 (Ω) 表 Resistance(Ω)	阻值代码 Resistance Code
100	101
200	201
500	501
1,000	102
2,000	202
5,000	502
10,000	103
20,000	203
50,000	503
100,000	104
200,000	204
500,000	504
1,000,000	105
2,000,000	205

3006P 玻璃釉预调电位器 Cermet Trimmer



电气特性 Electrical characteristics

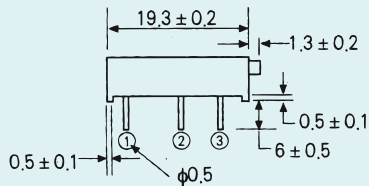
标称阻值范围 Range of nominal resistance	10Ω ~ 2MΩ
阻值允许偏差 Resistance tolerance	± 10%
终端电阻 Terminal resistance	≤ 1%R 或 2Ω
耐电压 Withstand voltage	640Vac
极限动触点电流 Maximum wiper current	100mA
有效电行程 Effective electrical travel	> 总机械行程的 70% > 7% of Total mechanical travel

环境特性 Environmental characteristics

额定功率 Rated Power (315Vmax)	0.75W@70℃, 0W@100℃
温度范围 Temperature range	-55℃ ~ +100℃
温度系数 TCR	± 250ppm/℃ ± 100ppm/℃
温度变化 Temperature range	-55℃, 30min, +100℃, 30min 循环 5 次 5cycle
碰撞 Collision	390m/s ² , 4000 次 ΔR ≤ ± 5%R
振动 Vibration	10 ~ 500Hz, 0.75mm, 6h ΔR ≤ 2%R, Δ(Uab/Uac) ≤ ± 3%
气候顺序 Climate category	按 IEC68-2-2 等 ΔR ≤ ± 5%R
机械耐久性 Mechanical endurance	200 周 200cycles ΔR ≤ ± 5%R, CRV ≤ 5%
稳态湿热 Steady damp heat	按 IEC68-2-3, Ca, 96h ΔR ≤ ± 5%R, R1 ≥ 100MΩ

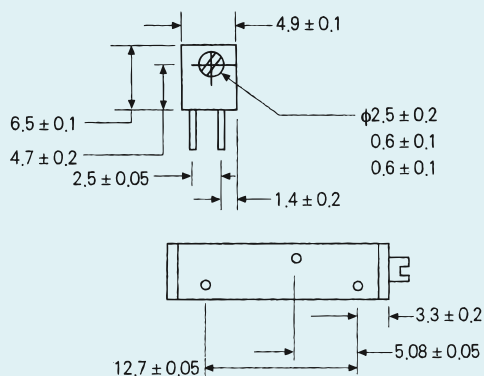
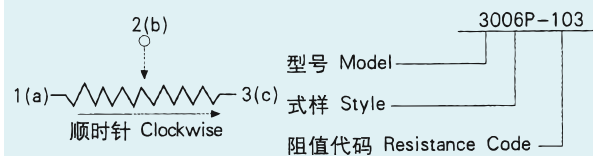
物理特性 Physical Characteristics

总机械行程 Total mechanical travel	22 ± 5 圈 22 ± 5turns
起动力矩 Starting torque	≤ 35mN · m
标志 Mark	阻值代码、允许偏差 (± 10% 不标注), 产品型号
标准包装 Standard package	25 只 / 管, 25pcs/tube.



电刷

Wiper 订购指南 How To Order

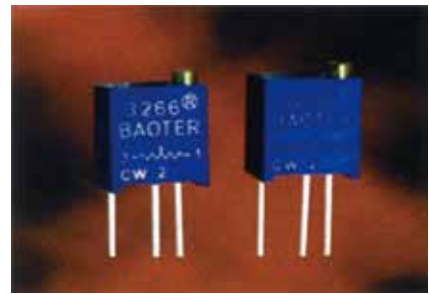


标准阻值表

Standard Resistance Table

阻值 (Ω) 表 Resistance(Ω)	阻值代码 Resistance Code
10	100
20	200
50	500
100	101
200	201
500	501
1,000	102
2,000	202
5,000	502
10,000	103
20,000	203
50,000	503
100,000	104
200,000	204
500,000	504
1,000,000	105
2,000,000	205

3266 玻璃釉预调电位器 Cermet Trimmer



电气特性 Electrical characteristics

标称阻值范围 Range of nominal resistance	10 Ω ~ 2MΩ
阻值允许偏差 Resistance tolerance	± 10%
终端电阻 Terminal resistance	≤ 2%R 或 2 Ω
接触电阻变化 Contact resistance variation	CRV ≤ ± 3%R 或 3 Ω
绝缘电阻 Insulation resistance	R ≥ 1G Ω (500Vac)
介质耐压 Dielectric withstand Voltage	900Vac
有效电行程 Effective electrical travel	> 总机械行程的 70% > 70% of Total mechanical travel

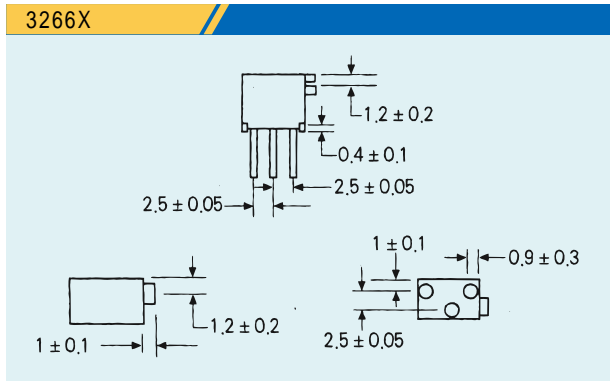
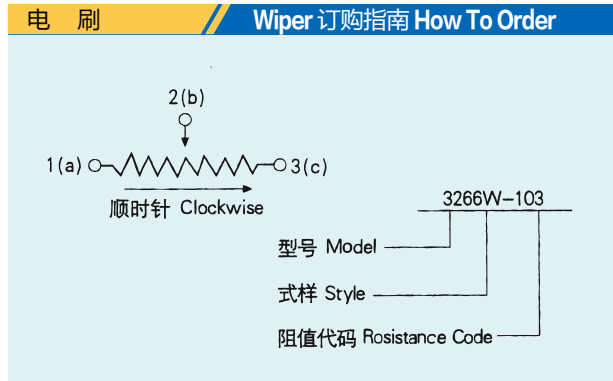
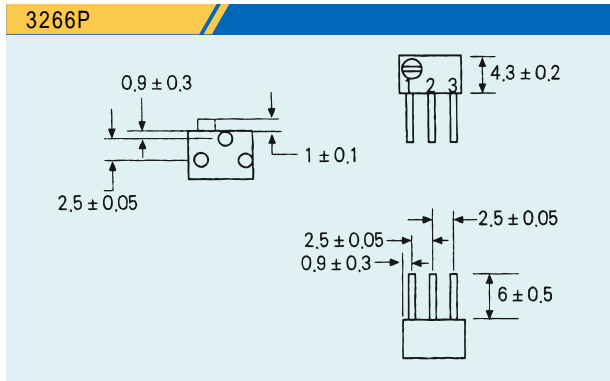
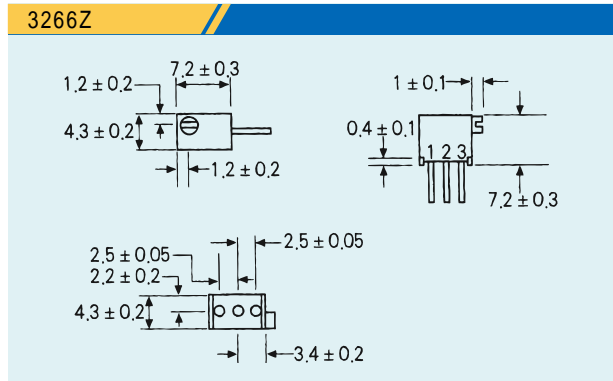
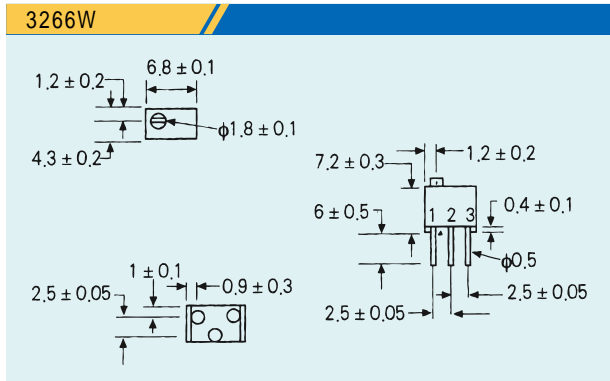
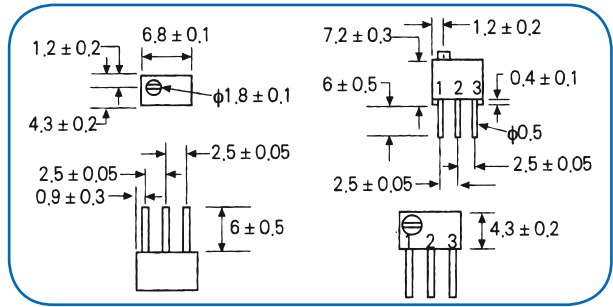
环境特性 Environmental characteristics

额定功率 Rated Power (200Vmax)	0.25W@70°C, 0.1W@100°C
温度范围 Temperature range	-55°C ~ +100°C
温度系数 TCR	± 250ppm/°C ± 100ppm/°C
耐湿 Moisture proof	GJD360A-96, 方法 106, 240h
Meet GJB36a-96, 106, 240h	ΔR ≤ ± 5%R, CRV ≥ ± 3%R 或 3 Ω
高频振动 High frequency vibration	GJD360A-96, 方法 204 Meet GJB360-204 ΔR ≤ ± 3%R 或 3 Ω, Δ(Uab/Uac) ≤ 5%
冲击 Shock	GJB360a-96, 方法 213 Meet GJB360-213 ΔR ≤ ± 3%R 或 Δ(Uab/Uac) ≤ 5%
高温寿命 Life at high temperature	40%°C, 0.25W, 1000h ΔR ≤ ± 5%R, CRV ≥ 5%R 或 5 Ω
旋转寿命	200 周 200cycles CRV ≤ 3%R 或 3 Ω, R ₁ ≥ 1G Ω
高温贮存 Storage at high temperature	125°C, 250h Δ(Uab/Uac) ≤ 2%R, CRV ≤ 3%R 或 3 Ω
低温工作 Operation at low temperature	-55°C, 0.250W Δ(Uab/Uac) ≤ 2%R, CRV ≤ 3%R 或 3 Ω

物理特性 Physical Characteristics

总机械行程 Total mechanical travel	12 ± 2 圈
起动力矩 Starting torque	≤ 21mN · m
标志、商标、型号、阻值 Mark, Type, resistance	日期代码 Date code
标准包装 Standard package	50 只 / 管, 50pcs/tube

3266 玻璃釉预调电位器 Cermet Trimmer



标准阻值表 Standard Resistance Table

阻值 (Ω) 表 Resistance(Ω)	阻值代码 Resistance Code
10	100
20	200
50	500
100	101
200	201
500	501
1,000	102
2,000	202
5,000	502
10,000	103
20,000	203
50,000	503
100,000	104
200,000	204
500,000	504
1,000,000	105
2,000,000	205

