

# Quartz Crystal Unit

Series 6C, Resistance Welded HC-49/SMD Surface Mount Package

---



Approved by:	
Checked by :	
Issued by:	

## SPECIFICATION

MODEL: SJK-6C-11.2896-12-30-30-F-C-50-H

**深圳市晶科鑫实业有限公司**  
**SHENZHEN CRYSTAL TECHNOLOGY INDUSTRIAL CO., LTD.**

Add: RM#1805, East Wing, TianAn Hi-tech Plaza Phase2, TianAn Cyber Park, Shenzhen, China  
Tel: (86) 755 88352809 88352810 Fax: (86) 755 88353718 88352499  
E-mail: [jolly@q-crystal.com](mailto:jolly@q-crystal.com) HTTP://[www.q-crystal.com](http://www.q-crystal.com)

# Quartz Crystal Unit



Series 6C, Resistance Welded HC-49/SMD Surface Mount Package

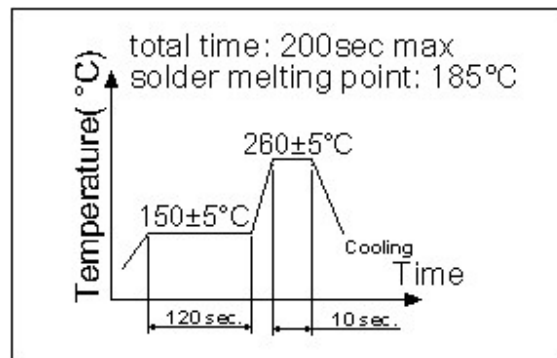
## FEATURE

- Height 4.0mm or 3.0mm, compact crystal unit to surface mount.
- Able to by means of a metal case and completely sealed high resolution characteristics.
- Copes with high density mounting and is the optimum for mass production.

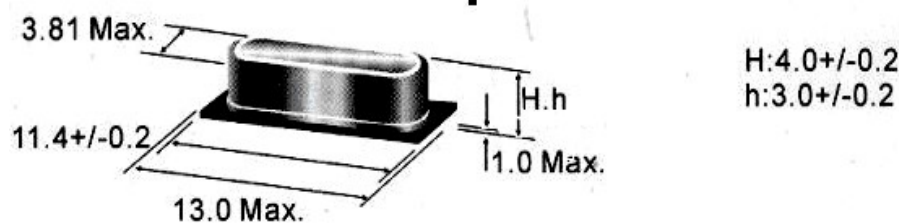
## ELECTRICAL SPECIFICATIONS

Nominal frequency	11.2896MHz
Oscillation mode	Fundamental
Load capacitance	12Pf
Frequency tolerance	$\pm 30$ PPM at $25 \pm 3^\circ\text{C}$
Equivalent series resistance	$30 \Omega$
Storage temperature range	$-40^\circ\text{C} \rightarrow +85^\circ\text{C}$
Operating temperature range	$-40^\circ\text{C} \rightarrow +85^\circ\text{C}$
Frequency Stability Over Operating Temperature	$\pm 50$ PPM
Parallel capacitance( $C_0$ )	7PF Max
Drive level	100 $\mu\text{W}$
Insulation resistance	More than $500\text{M} \Omega$ AT DC100V
Aging (at $25^\circ\text{C}$ )	$\pm 5$ PPM/year Maximum

## Reflow Condition



## Dimension



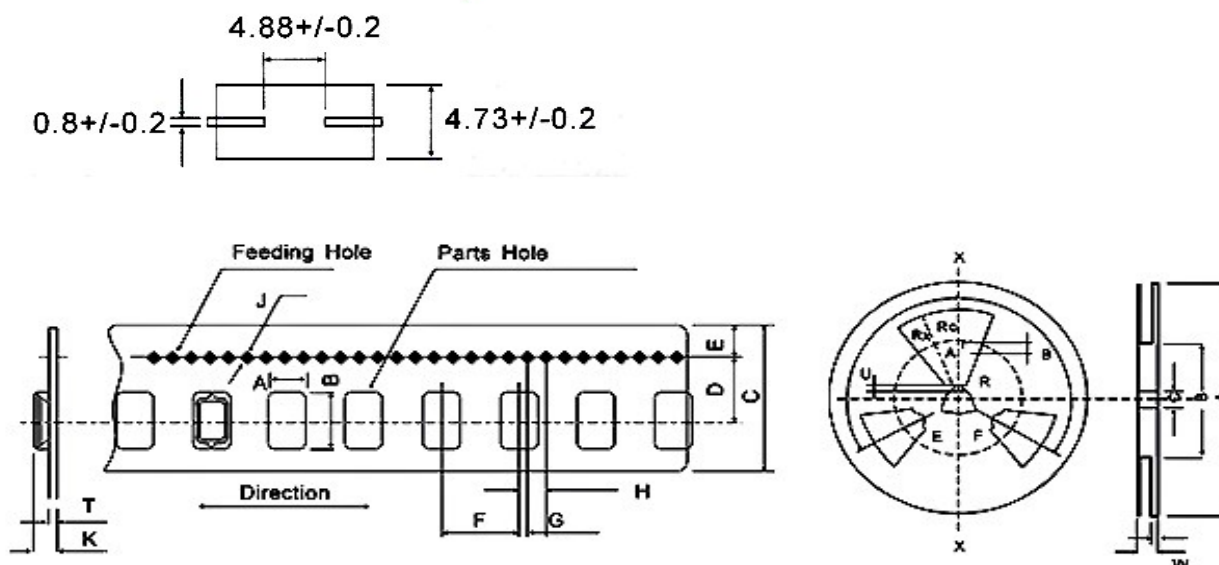
Add: RM#1805, East Wing, TianAn Hi-tech Plaza Phase2, TianAn Cyber Park, Shenzhen, China

Tel: (86) 755 88352809 88352810 Fax: (86) 755 88353718 88352499

E-mail: [jolly@q-crystal.com](mailto:jolly@q-crystal.com) HTTP://[www.q-crystal.com](http://www.q-crystal.com)

# Quartz Crystal Unit

Series 6C, Resistance Welded HC-49/SMD Surface Mount Package



Description		Code	Dimensions	
Flanges	Diameter	A	$\phi 330 \pm 2.0$	
	Thickness	t	$2.4 \pm 0.2$	
	Width between Flanges	W	$+2.0$ $24.4-0$	
Flanges	Outline Diameter	B	$\phi 100 \pm 2.0$	
	Center Core Slit	Width	F	$2.3 \pm 1.0$
		Depth	V	$6.0 \pm 1.0$
		Position	Q	$120^\circ \pm 3.0^\circ$
	Spindle Diameter	C	$\phi 13.0 \pm 0.5$	
	Key Seats	Width	E	2.5
Depth		U	$5.0 \pm 0.5$	
Position		Q	$120^\circ \pm 3^\circ$	
Fenestrate	Outline Radius	$R_o$	$R90 \pm 1.0$	
	Inline Radius	$R_i$	$R40 \pm 1.0$	
Rounded Corners		$R_c$	$+2.0$ $R5-0$	
	Open Angle	R	$40^\circ \pm 2^\circ$	

Code	Dimension	Code	Dimension	Code	Dimension
A	$5.0 \pm 0.1$	E	$1.75 \pm 0.1$	J	$\phi 1.5 (+0.1, -0)$
B	$15.0 \pm 0.2$	F	$8.0 \pm 0.1 / 12.0 \pm 0.1$	K	$5.0 \pm 0.1$
C	$24.0 \pm 0.3$	G	$2.0 \pm 0.1$	T	$5.0 \pm 0.1$
D	$11.05 \pm 0.1$	H	$4.0 \pm 0.1$		

Add: RM#1805, East Wing, TianAn Hi-tech Plaza Phase2, TianAn Cyber Park, Shenzhen, China  
 Tel: (86) 755 88352809 88352810 Fax: (86) 755 88353718 88352499  
 E-mail: [jolly@q-crystal.com](mailto:jolly@q-crystal.com) HTTP://[www.q-crystal.com](http://www.q-crystal.com)

# Quartz Crystal Unit



## Series 6C, Resistance Welded HC-49/SMD Surface Mount Package

SJK-6C-	11.2896	12	30	30	F	C	50	H
	Frequency	Load capacitance	Frequency tolerance	E.S.R.	oscillate mode F:Fundamental 3:3rd overtone 5:5th overtone	operating temperature range A:-10-60°C B:-20-70°C C:-40-85°C	temperature stability:	H:Normal (4.0mm) h:low (3.0mm)

## RELIABILITY TEST SPECIFICATION

Test item	Equipment	Condition	Specification
1.SOLDERABILITY TEST	SJK-REL001、RC-328A	1.solderability:245±5°C, 5±0.5S 2.heat resistance:260±5°C,10±1S restoration of 1 hour	'1. MIL-STD-883CMETHOD 2003.7 2. MIL-STD-202F,METHOD 210A
2. HERMETICITY TEST	UL-306S	small and do not control roughly (hubble-bubble machine); Nothing air bubble creation s thin leave out 1 * 10 E-8 ATM.CC/SEC.	MIL-STD-883C METHOD 1014.9
3. VIBRATION TEST	HG-V4、S&A 250B	Enable Crystal(10g) from 10-55-10Hz,X、 Y、 Z horizontal,1 Minute vibration/time, 1time/ 2 hours.	JIS C5025 TEST A MIL-STD-883C,METHOD 2007.2
4. MECHANICAL SHOCK	HPC-200、S&A 250B	Enable Crystal 50G(490m/s <sup>2</sup> ) time=11 ms speed=3.4 m/s half sine wave oscillation	JIS C5026 MIL-STD-883C,METHOD 2002
5. DROP TEST	HARD BOARD.S&A250B	75CM HIGH,3 TIMES ON HARD BOARD	'JIS C6701
6. SALT SPRAY	H-SST-60、RC-328A	5% NaCL,35 °C ±2 °C CHAMBER,48 hrs. , PH:6.5~7.2	JIS C5028 & MIL-STD-202F'METHOD 101D
7. HIGH&LOW TEMP STORAGE TEST	H-PTH-80CK & HM101-3ABN, S&A 350B/250B	High temperature: 125°C±2°C,1000hr; Low temperature:-40°C±3°C,1000hrs	MIL-STD-883C,METHOD 1011.8& JIS C5030
8.TEMP &HUM CYCLING TEST	H-PTH-80CK CHAMBER, S&A 350B/250B	Temperature:-10 °C ±2 °C ~ 65 °C ±2 °C ,Humidity:93±3%,1 cycle need 24 hrs. 5cycles.	MIL-STD-883C,METHOD 1010.7
9. HIGH TEM. & HUM. STORAGE TEST	H-PTH-80CK CHAMBER, S&A350B/250B	temperature:40 °C ±2 , Humidity:85+3,-2%,Store 96 hrs	JIS C5023
10. AGING TEST	H-PTH-80CK CHAMBER, S&A350B/250	temperature: 85°C±2, 1000hrs	JIS C5031

Add: RM#1805, East Wing, TianAn Hi-tech Plaza Phase2, TianAn Cyber Park, Shenzhen, China  
 Tel: (86) 755 88352809 88352810 Fax: (86) 755 88353718 88352499  
 E-mail: [jolly@q-crystal.com](mailto:jolly@q-crystal.com) HTTP://[www.q-crystal.com](http://www.q-crystal.com)