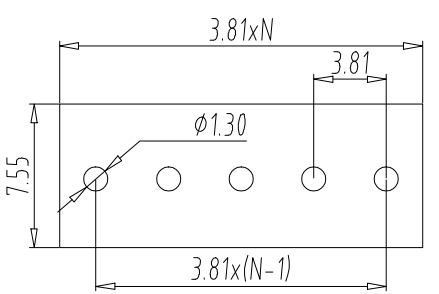
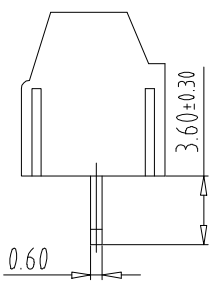
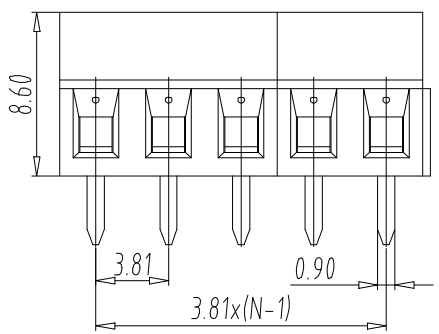
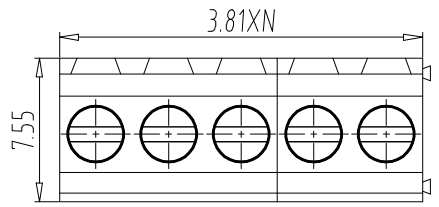


FILE: 2020-D01VULO

REV	E.C.N. NO.	CONTENT	CHK	DATE



PCB layout

NOTES1:

- UL Standard  
 1. Rating voltage/current: 300V/15A  
 2. withstanding voltage: AC2000V/1Min  
 3. Wire range: 14-22AWG

IEC Standard

1. Pollution Degree	2
Overvoltage Category	III
Rate Impulse Voltage(KV)	2.5KV
Rate Voltage(V)	250V
Rate Current(A)	15A

2. Wire range: 0.2-2.5mm<sup>2</sup>

NOTES2:

1. Housing: PA66(UL94V-0)  
 2. Screw: Steel(M2.5/Zn Plated)  
 3. Sping: Brass(Tin Plated)  
 4. Block: Brass(Ni Plated)

NOTES3:

1. Pitch: 3.81mm Poles: 02-24P  
 2. Operating temperature: -40℃~+105℃  
 3. RoHS Compliance

How to order

ULO-TB17 - 381/3.81 - XXP - Y 0 0 0A

Certificate Series NO.      Factory Code      poles      Customer requirements

- color:  
 1:Grey      2:Blue      3:Black  
 4:Green      5:Orange      6:Red  
 7:transparent      8:Yellow      9:White

Total Pitch Tolerances in mm										Nominal dimension range in mm										⊥	=	-	//		
over 0	over 30	over 53	over 70	over 90	over 115	over 150	over 200	over 250	over 320	over 0	over 30	over 53	over 70	over 90	over 115	over 150	over 200	over 250	over 320	0	over 10	all	0	over 100	over 150
±0.18	±0.20	±0.25	±0.3	±0.35	±0.44	±0.55	±0.70	±0.75	±0.80	±0.25	±0.30	±0.35	±0.44	±0.55	±0.70	±0.80	±0.90	0.2	0.3	0.3	0.2	0.3	0.5		

ITEM	NAME OF PART	NO. OF PART	Q"TY	MATERIAL	NOTE
DWG.	LZW	DATE	21.06.02	UNITS	MM
CHK.	DATE	SCALE	1:1	SHEET/OF	A4
APP.	DATE	NAME	ULO-TB17-381/3.81-XXP-Y000A		
NINGBO ULO ELECTRONICS CO.,LTD. 宁波欧路电子有限公司		DWGNO.	ULOTB17Y000A		