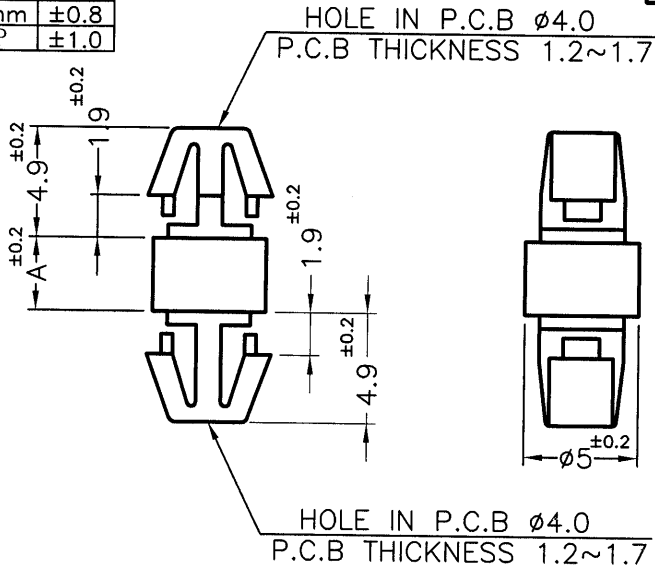
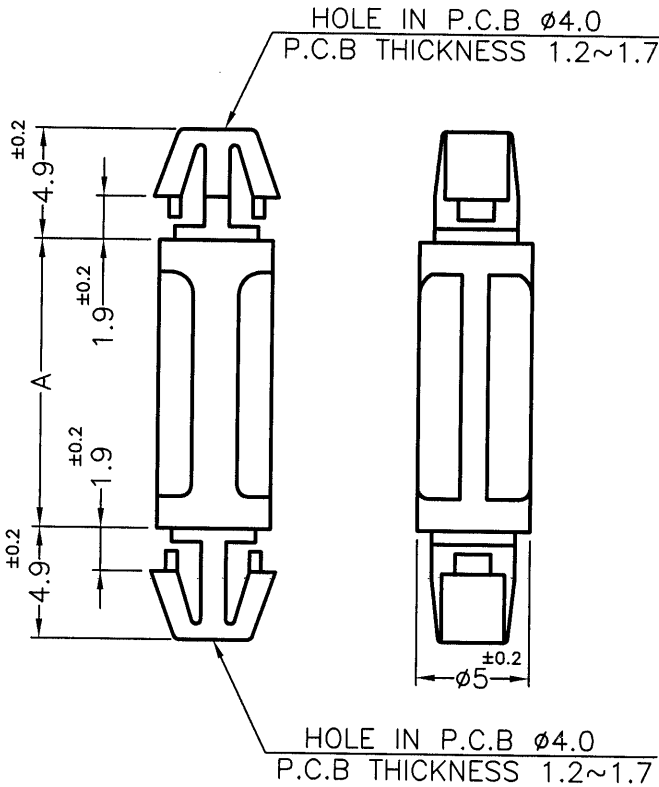


DIM	TOL
5mm DOWN	±0.2
5~20mm	±0.3
20~40mm	±0.4
40~60mm	±0.5
60~100mm	±0.8
100mm UP	±1.0

REVISIONS			
REV	DESCRIPTION	DATE	BY



PART NO.	A
LCC-3S	3.0
LCC-3	3.5
LCC-4	4.0



PART NO.	A	PART NO.	A
LCC-5	5.0	LCC-20	20.0
LCC-6S	6.0	LCC-25	25.0
LCC-6	6.4	LCC-25.4	25.4
LCC-7	7.0	LCC-27	27.0
LCC-8	8.0	LCC-30	30.0
LCC-9.5	9.5	LCC-34	34.0
LCC-10S	10.0	LCC-40	40.0
LCC-10	10.5	LCC-45	45.0
LCC-11.5	11.5	LCC-55	55.0
LCC-12S	12.0	LCC-69	69.0
LCC-12	12.7	LCC-71	71.2
LCC-14	14.0	LCC-72	72.0
LCC-15	15.9	LCC-74	74.2
LCC-18	18.0	LCC-80	80.0
LCC-19	19.0		

NOTE: MADE OF EQUIVALENT MATERIAL.
均可使用同等材質.



<p>康揚企業股份有限公司 KANG YANG HARDWARE ENTERPRISE CO., LTD. 康揚塑膠(東莞)有限公司 KANG YANG PLASTIC(DONG GUAN) CO., LTD. 康哲電腦配件(吳江)有限公司 KANG CHE COMPUTER COMPONENTS(WUJIANG) CO., LTD.</p>				TITLE SPACER SUPPORT		SPEC. DWG.	
				MATERIAL NYLON 66 UL94V-2		DATE 1997.11.18	
PART NUMBER SEE ABOVE		DRAWING NUMBER LCC-H		COLOR NATURAL		CHECK 彭永承	
SIZE A4	SCALE NONE	UNIT mm	REV F	UNLESS OTHERWISE SPECIFIED TOLERANCE SEE ABOVE		APPROVED Kang	