

Constant Voltage LED Power Supply



Product description :

This series was designed for compromise between an attractive price and high performance, which meets SELV standard of preventing electric shock. Protection of open circuit, short circuit, over load and over temperature increased safety in processing. Low standby power consumption complies with ERP directives. Optimized electric circuit design brings cost-effectiveness.



Standards:

EN61347-1
 EN61347-2-13
 EN61547
 EN55015
 EN61000-3-2
 EN61000-3-3
 EN62384
 EN62493

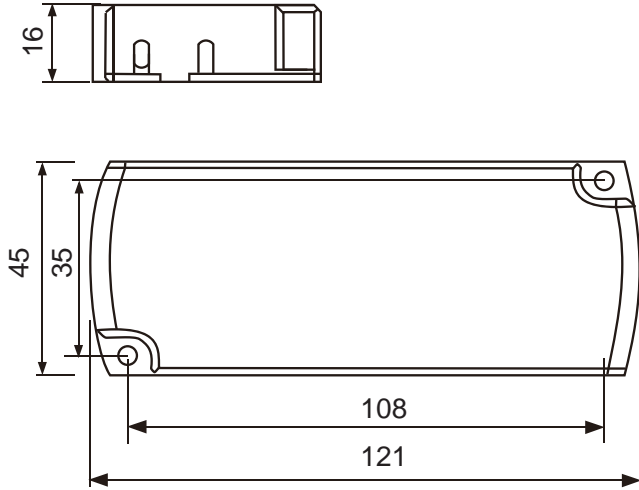
Characteristics:

- Independent power supply for constant voltage LED lamp
- Terminal block for quick connection
- Class II protection against electric shock from direct and indirect contact
- SELV output (<60V)
- Fast start-up time $\leq 0.5s$
- No load power consumption $\leq 0.3W$
- Open circuit, short circuit, over load and over temperature protection
- Auto restart after fault conditions removal
- The height is 16mm
- Efficiency 85% (AC230V, full load)
- ECO design, comply with ERP directives

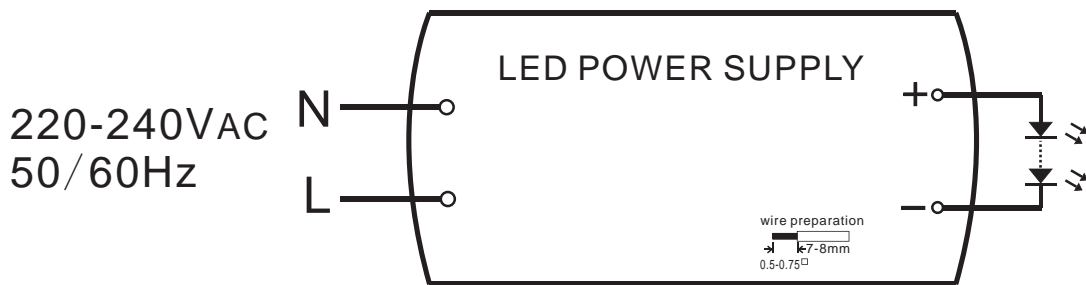
Specifications:

Model	SLT15-12VF-2s	SLT15-24VF-2s	
Output	turn on time(S)	≤0.5	≤0.5
	output power(W)	15	15
	output voltage(V)	12	24
	output voltage tolerance ¹	+/-5%	+/-3%
	ripple voltage(mV)	460(Vp-p)	800(Vp-p)
	working current range(A)	0-1.25	0-0.625
	dimming interface	No	
	dimming range	n/a	
Input	rated supply voltage(Vac)	220-240	220-240
	voltage range(Vac)	198-264	198-264
	line frequency(Hz)	50/60	50/60
	input current(mA)	110	110
	efficiency ²	83.0%	84.7%
	average efficiency ³	80.4%	79.7%
	no load power consumption(W)	≤0.3	≤0.3
	power factor ²	0.70	0.70
	inrush current(Ipk)	24A/65us	24A/65us
Protection	over voltage protection	YES	YES
	short circuit protection	YES	YES
	over temperature protection	YES	YES
	automatic restart	YES	YES
	over load protection	YES	YES
	surge capacity	L-N: 500V	L-N: 500V
Ambient and Life	Ta(°C)	-20...45	-20...45
	Tc max.(°C)	75	80
	Storage Temperature(°C)	-30...80	
	ambient humidity range	5%...85%RH, Not condensing	
	nominal life-time(hrs)	30'000@Tc=70°C	30'000@Tc=75°C
Other	weight(g)	64	
	dimensions (L×W×H)(mm)	121×45×16	
	casing material	Plastic	
	housing colour	White	
	type of protection	IP20	
	protection class	Class II	
Note	<p>1. Tolerance:includes set up tolerance, line regulation and load regulation. 2. Tested at full load,230Vac.Refer to"Power Factor" and "EFFICIENT"curve graphs. 3. Calculate the model's average efficiency for each test voltage by testing at 100%, 75%, 50%, and 25% of rated current and then computing the simple arithmetic erage of these four values. 4. All parameters NOT specially mentioned are measured at nominal voltage input, rated load and 25 of ambient temperature. 5. The power supply is considered as a component that will be operated in combination with final equipment. Since EMC performance will be affected by the complete installation, the final equipment manufacturers must re-qualify EMC Directive on the complete installation again.</p>		

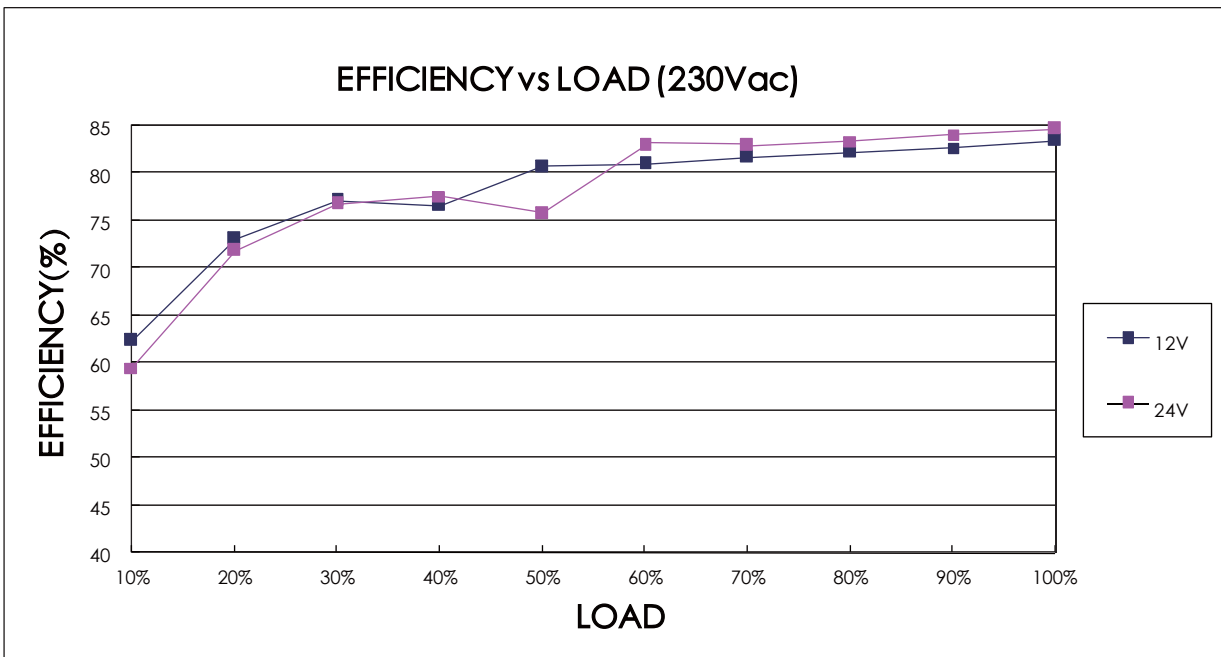
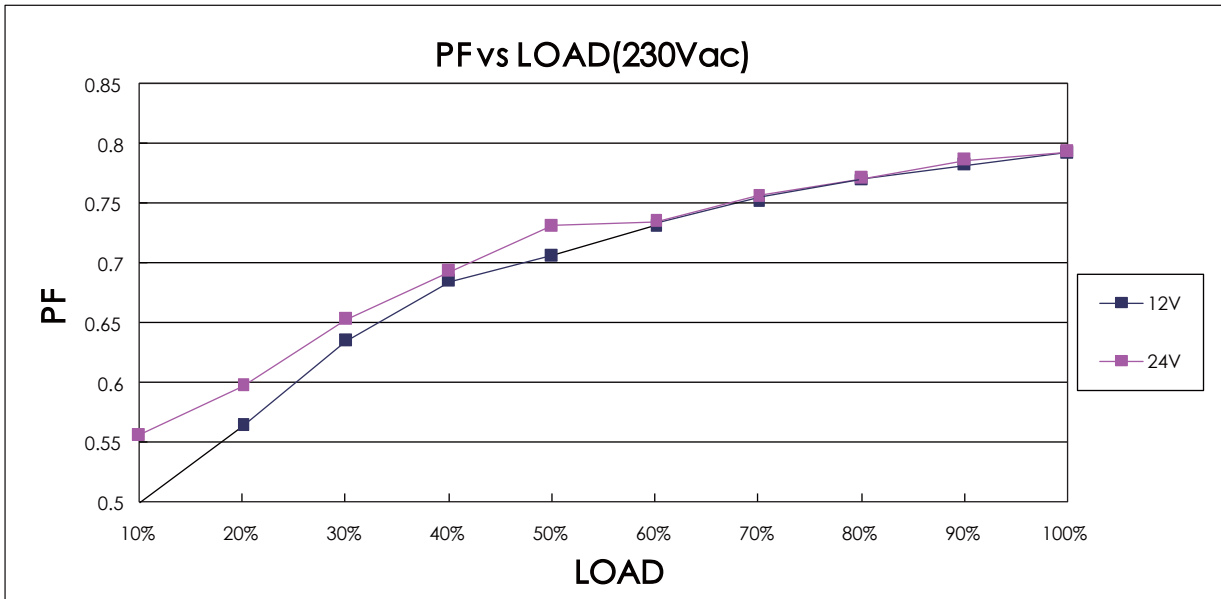
Dimensions(mm):



Wiring diagram:



Electrical curves:



note
 For constant current power supply,"LOAD" means the percentage of the maximum rated output voltage.
 For constant voltage power supply,"LOAD" means the percentage of the maximum rated output current.

Sales & Technical Support:

Self Electronics Co.,Ltd.

Add: No. 1345 Ju Xian Road, Ningbo Hi Tech Park, Ningbo, China

Tel: 0086-574-28805765,28805658(For English Assistance)

0086-574-28805678 (For Chinese Assistance)

Fax: 0086-574-28805656

E-mail: sales@self-ecg.com

<http://www.self-ecg.com>

Self Electronics Co.,Ltd.,Shenzhen Office

Add: Room2007,Xinglang Xuan,Xinghe Mingju,Fuming Road,Futian District,Shenzhen

Tel: 0086-755-83558850, 83558851

Fax: 0086-755-83558840

SELF ELECTRONICS FRANCE BRANCH OFFICE

Add:12-14 rue Raymond Ridet, 92250 La Garennes Colombes

Tel: 0033 (0)1 72 42 71 57

E-mail: saleseu@self-electronics.com

SELF ELECTRONICS GERMANY GMBH

Add:August-Horch-Str. 7,51149 Koeln

Tel: 0049 2203 18501-0

Fax: 0049 2203 18501-199

E-mail: saleseu@self-electronics.com

*Due to continuous improvements and innovations,specifications are subjected to change without notice.