

# 10.4"

## Marine Bridge System Display

### Model # R10L210-MRM2

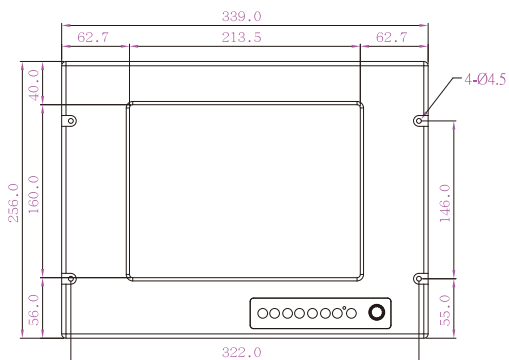
#### Features:



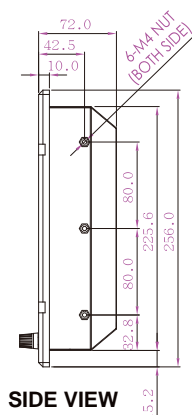
- Hyper Dimming : Dimming knob control backlight brightness from nearly 0% to 100%
- Sunlight Readable : Transflective film technology enhance visibility
- Anti-Corrosion & IP Proof : IP66 aluminum housing with powder coating design (IP54 rear)
- Wide Voltage Range Input : 24V DC to DC power input acceptable (Isolation Resistance)
- Touchscreen/ Protection Glass : High quality touchscreen / AR protection glass for option
- Multiscan Function : PIP(picture in picture) function and multi-video inputs
- IP65 OSD Front Panel Design : Ease of use front panel OSD control
- Anti-Shock and Vibration : Enhanced shock and vibration resistance



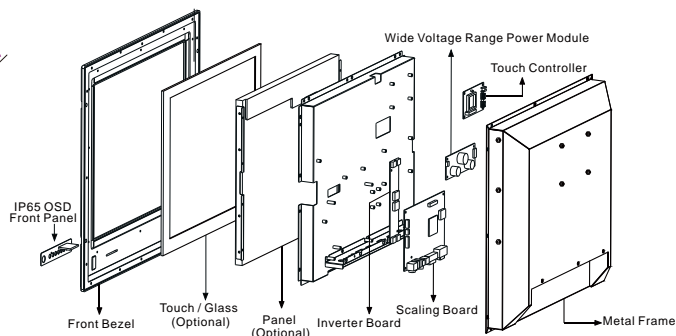
#### Mechanical Design Drawings



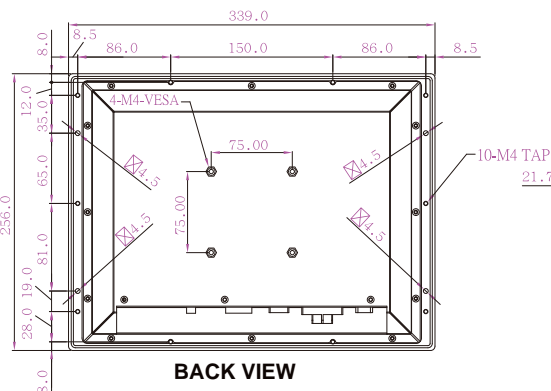
FRONT VIEW



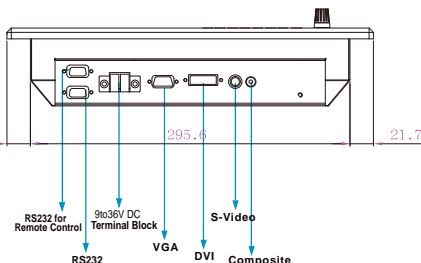
SIDE VIEW



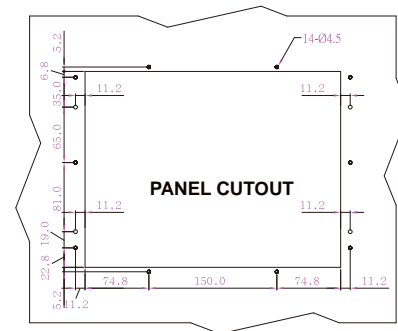
Modularized Construction



BACK VIEW



BOTTOM VIEW



All Dimensions are ±0.5 mm

\* Note: this is a simplified drawing and some components are not marked in detail. Please contact our sales representative if you need further product information.

#### TFT Characteristics:

Pixel Number	: 800 x 600
Pixel Pitch(RGB)	: 0.264(H) x 0.264(V)
Contrast Ratio	: 500 : 1 (typ.)
Light Intensity	: 400 cd/m (typ.)
Viewable Angles	: -70~70(H);-60~50(V)
Active Display Area	: 211.2(H) x 158.4(V) mm
Max Colors	: 16.7M (8bit/colors)

#### Input Signals:

RGB Signal	: D-SUB 15P connector(female)
Composite Video	: RCA phono plug
S-Video Signal	: S-Video (SVHS) plug
DVI-D Signal	: DVI-D input 24pin connector
DC Power Signal	: Screw terminal block
AC Power Signal (optional)	: Std IEC Inlet
Touch Screen (Optional)	: D-SUB 9P connector (female)
Remote via RS-232(Optional)	: D-SUB 9P connector (female)

Certification and Approvals : CE,FCC,IEC60945,DNV2.4,IACS-E10

#### User Controls:

Power On/Off	via Front Button
Power Mode Status	LED
On Screen Display control(OSD)	
OSD Remote Control	via RS-232

#### Power Specifications:

Power Supply	: 24V DC power supply with Terminal block (Default,Isolation Resistance)
Power Consumption	: 21 W typical, normal operation

#### Mechanical and Environmental:

Mechanical Mounting	: Panel (Flush) mount with Ip66*, VESA, Bracket mounting
Operating Temperature	: -15 to 55 deg.C
Operating Humidity	: 5% to 95% (non condensing)
Anti-Vibration	: 5Hz~500Hz / 1Grms/3 Axis
Anti-Shock	: 15G, 11ms duration
* SAW touch for IP54	

#### Available Options:

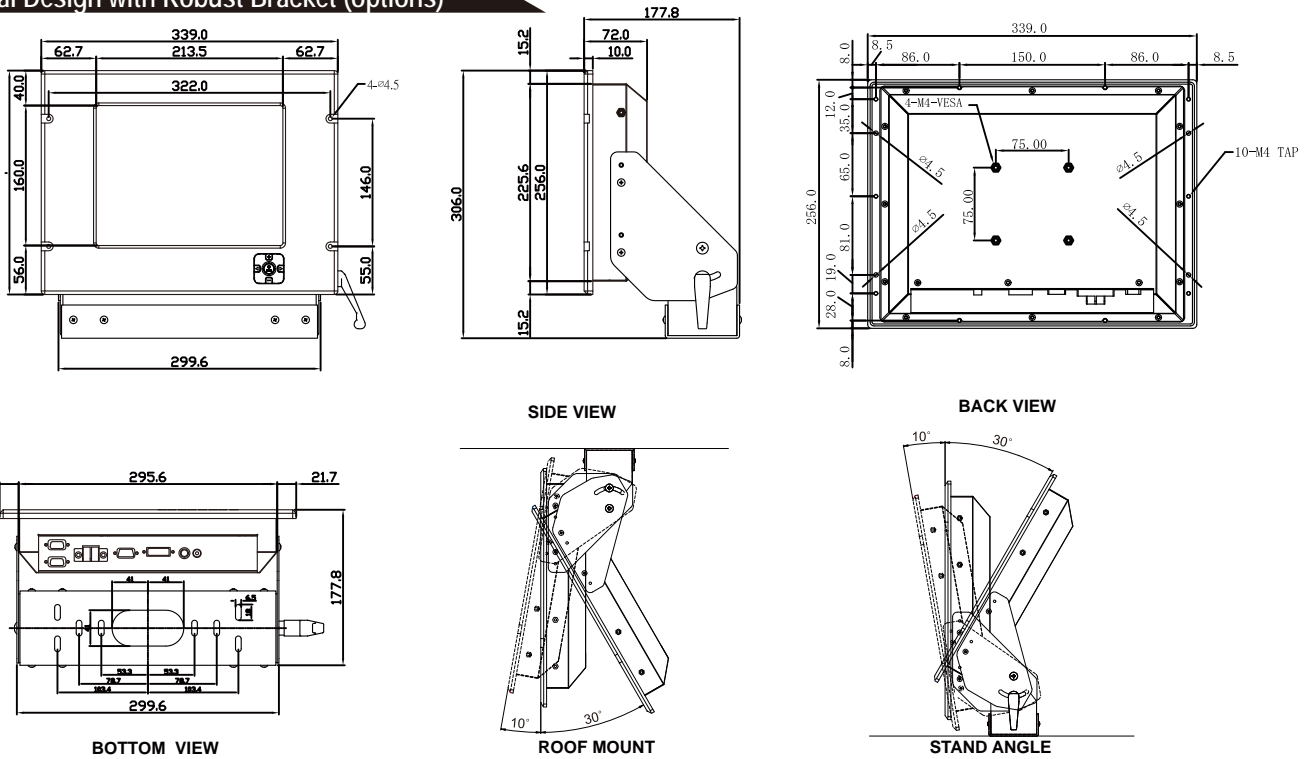
Touch Screen Options	: SAW, 5 Wire Resistive
AR Safety Glass Options	: 3mm Anti-reflective protection glass
Transflective Options	: Yes (Enhance Visibility)
Bracket Mounting Options	: Yes (One robust bracket can adjust from -10 to 30 deg.)

# 10.4"

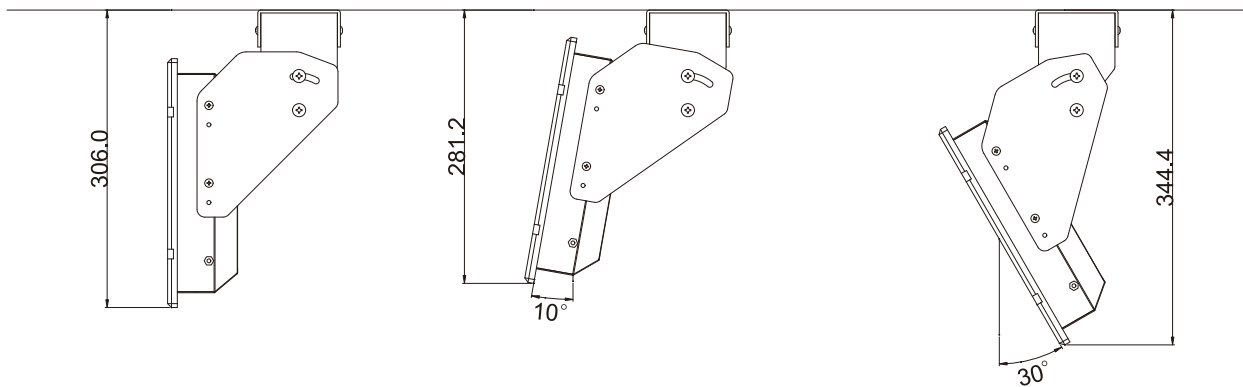
## Marine Bridge System Display

Model # R10L210-MRM2

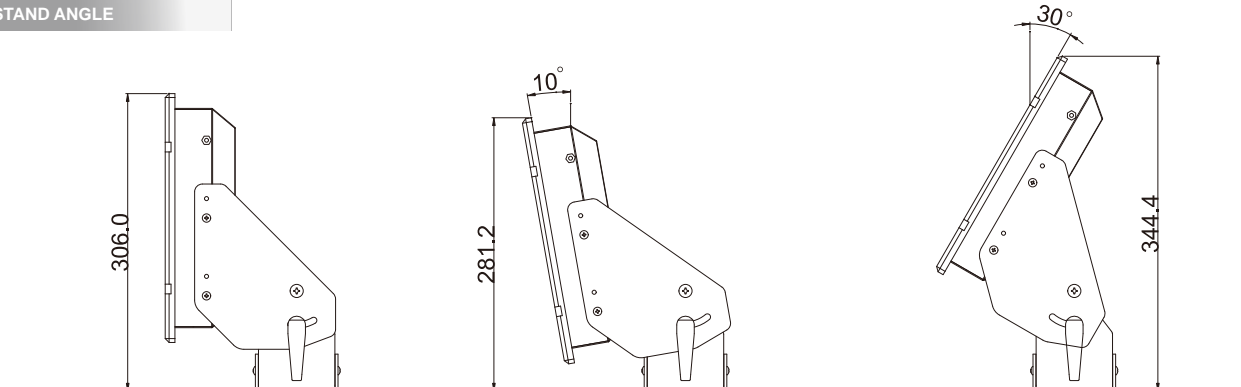
### Mechanical Design with Robust Bracket (options)



#### ROOF MOUNT



#### STAND ANGLE



All Dimensions are  $\pm 0.5$  mm

\* Note: this is a simplified drawing and some components are not marked in detail. Please contact our sales representative if you need further product information.

\* Extra charge is required for back covers with bracket holes for products purchased before end of Nov. 08'

Certification and Approvals : CE,FCC,IEC60945,DNV2.4,IACS-E10

