

Industrial 15" LED Projected Capacitive Multi-touch Display



Features

- 15" XGA LCD Panel up to 1024 x 768 Resolution
- 5-wire Resistive / Projected Capacitive Touch Technology
- 12-24 V DC Power Input with Terminal Block
- Combined with RS-232 and USB Touch Interfaces
- -20~60° C Operating Temperature
- Panel and VESA Mounting

Applications

- Embedded HMI Display System
- Factory / Manufacturing Automation
- ATM / Self-service / Kiosk Applications
- Vending Machine / Ticketing Machines

➔ Packing List

Description
1 x TPM-3215 / TPM-3115
1 x Driver CD
1 x USB Cable
1 x VGA Cable
1 x Power Adapter (AC-to-DC, 12 V @ 5 A, 60 W)
6 x Panel Mounting Screws

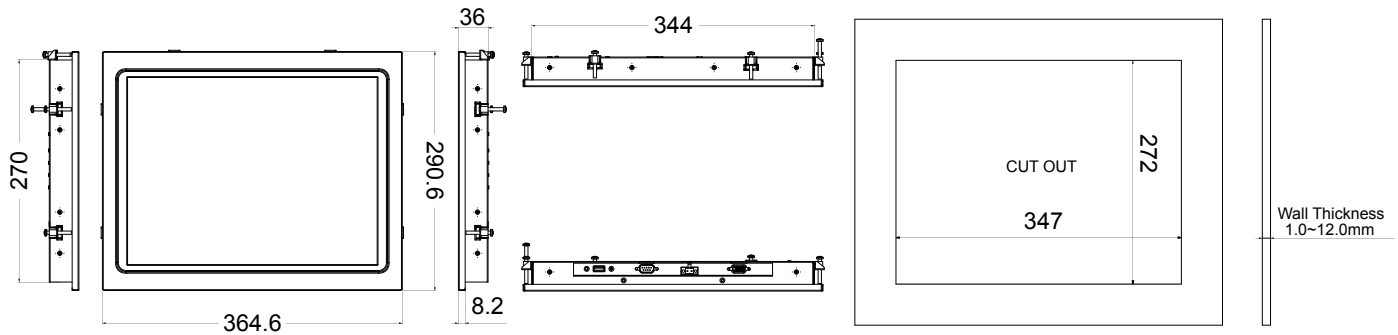
➔ Optional Items

Part No.	Description
ACS-PS-US	Power Cable 3-pin, 180 cm, USA Type
ACS-PS-EU	Power Cable 3-pin, 180 cm, Euro Type
ACS-PS-CN	Power Cable 3-pin, 180 cm, China Type
ACS-110-STD	LCD VESA Table Stand

➔ Ordering Information

Part No.	Description
TPM-3215P-A1E	15" XGA Industrial Ultra-slim Projected Capacitive Touch Display
TPM-3215R-A1E	15" XGA Industrial Ultra-slim Resistive Touch Display
TPM-3115R-A1E	15" XGA Industrial Ultra-slim Resistive Touch Open Frame

→ Dimensions



→ Specifications

Model		TPM-3215P	TPM-3215R
Display	Panel Size	15" LCD Panel	
	Resolution	1024 x 768 (XGA)	
	Viewing Angle	80 x 80 (H) x 80 x 80 (V)	
	Brightness	250 (cd/m ²)	
	Color Support	16.7 M	
	Contrast Ratio	600 : 1	
	Response Time	8 (msec)	
Touchscreen	Type	Projected Capacitive	5-Wire Resistive
	Surface Hardness	7 Mohs	3 Mohs
	Durability	-	10 million touches
	Transparency	90% (±3%)	80% (±3%)
I/O Interface	Video Interface	1 VGA	
	Touch Interface	Projected Capacitive (for USB only) / 5-Wire Resistive (for USB and RS-232)	
OSD Control	Function Key	5 Keys: Menu, Up, Down, Auto Adjust, Monitor Power on/off Menu Functions: Brightness, Contrast, Color Adjust, Color Temp, Auto Color, Language	
Power	Power Connector	Phoenix Terminal Block, 2 pins	
	Power Input	12-24 V DC power input, single power source	
	Power Consumption (Typical)	10.1 W	
Environment	Operating Temperature	0~50° C (32~122° F)	
	Storage Temperature	-30~70° C (-22~158° F)	
	Humidity	5~95% @ 40° C, Non-condensing	
	Vibration	5-500 Hz, 0.026 G ² /Hz, 2.16 Grms, X, Y, Z, 1 hour per axis	
General	Ingress Protection	IP54	
	Dimensions (W x H x D)	364.6 x 290.6 x 36 mm (14.35" x 11.44" x 1.41")	
	Weight	3.75 kg (8.27 lb)	3.70 kg (8.16lb)
	Operating System	Windows CE/XP/7/8.1/10, WES7, WE8S, Linux Fedora, Ubuntu	