

SFP-XDxxHM0xDL80

10.3Gb/s XFP Transceiver

SFP-XDxxHM0xDL80**Product Features**

- ✓ Supports 9.95 to 11.3Gb/s
- ✓ Duplex LC connector
- ✓ Hot-pluggable XFP footprint
- ✓ Cooled 1550nm EML laser
- ✓ RoHS compliant and Lead Free
- ✓ 80Km link length
- ✓ Metal enclosure for lower EMI
- ✓ 100GHz channel spacing
- ✓ Built-in dual CDR
- ✓ +5.0V and +3.3V power supply and power dissipation <2.5W
- ✓ XFP MSA INF-8077I Compliant
- ✓ XFI loop-back Support

**Applications**

- ✓ SONET OC-192 IR-2/IR-3
- SDH STM S-64.2b/S-64.3b
- ITU-T G.709
- ✓ IEEE 802.3ae 10GBASE-ZR/
ZW 80km 10G Ethernet
- ✓ Supports OTN/1TU-T G.709
- ✓ DWDM point-to-point link

General

SFP-XDxxHM0xDL80 Small Form Factor 10Gb/s XFP transceivers are compatible with XFP MSA Specification. They comply with SONET OC-192 IR-2, OC-192 IR-3, SDH STM S-64.2b, STM S-64.3b as well as with 10G Ethernet 10G BASE-ER/EW per IEEE802.3ae and 80km 10G Fibre Channel applications.

Product Selection

Part Number	Operating Case temperature	DDMI
SFP-XDxxHM0CDL80	Commercial(0~70°C)	Yes
SFP-XDxxHM0EDL80	Extend(0~85°C)	Yes
SFP-XDxxHM0IDL80	Industrial(-40~85°C)	Yes

SFP-XDxxHM0xDL80**Product Channel Selection**

Product Code	ITU channel	Frequency	Center Wavelength(nm)
SFP-XD61HM0xDL80	61	196.1	1528.77
SFP-XD60HM0xDL80	60	196.0	1529.55
SFP-XD59HM0xDL80	59	195.9	1530.33
SFP-XD58HM0xDL80	58	195.8	1531.12
SFP-XD57HM0xDL80	57	195.7	1531.90
SFP-XD56HM0xDL80	56	195.6	1532.68
SFP-XD55HM0xDL80	55	195.5	1533.47
SFP-XD54HM0xDL80	54	195.4	1534.25
SFP-XD53HM0xDL80	53	195.3	1535.04
SFP-XD52HM0xDL80	52	195.2	1535.82
SFP-XD51HM0xDL80	51	195.1	1536.61
SFP-XD50HM0xDL80	50	195.0	1537.40
SFP-XD49HM0xDL80	49	194.9	1538.19
SFP-XD48HM0xDL80	48	194.8	1538.98
SFP-XD47HM0xDL80	47	194.7	1539.77
SFP-XD46HM0xDL80	46	194.6	1540.56
SFP-XD45HM0xDL80	45	194.5	1541.35
SFP-XD44HM0xDL80	44	194.4	1542.14
SFP-XD43HM0xDL80	43	194.3	1542.94
SFP-XD42HM0xDL80	42	194.2	1543.73
SFP-XD41HM0xDL80	41	194.1	1544.53
SFP-XD40HM0xDL80	40	194.0	1545.32
SFP-XD39HM0xDL80	39	193.9	1546.12
SFP-XD38HM0xDL80	38	193.8	1546.92
SFP-XD37HM0xDL80	37	193.7	1547.72
SFP-XD36HM0xDL80	36	193.6	1548.51
SFP-XD35HM0xDL80	35	193.5	1549.32

SFP-XDxxHM0xDL80

SFP-XD34HM0xDL80	34	193.4	1550.12
SFP-XD33HM0xDL80	33	193.3	1550.92
SFP-XD32HM0xDL80	32	193.2	1551.72
SFP-XD31HM0xDL80	31	193.1	1552.52
SFP-XD30HM0xDL80	30	193.0	1553.33
SFP-XD29HM0xDL80	29	192.9	1554.13
SFP-XD28HM0xDL80	28	192.8	1554.94
SFP-XD27HM0xDL80	27	192.7	1555.75
SFP-XD26HM0xDL80	26	192.6	1556.55
SFP-XD25HM0xDL80	25	192.5	1557.36
SFP-XD24HM0xDL80	24	192.4	1558.17
SFP-XD23HM0xDL80	23	192.3	1558.98
SFP-XD22HM0xDL80	22	192.2	1559.79
SFP-XD21HM0xDL80	21	192.1	1560.61
SFP-XD20HM0xDL80	20	192.0	1561.42
SFP-XD19HM0xDL80	19	191.9	1562.23
SFP-XD18HM0xDL80	18	191.8	1563.05
SFP-XD17HM0xDL80	17	191.7	1563.86

■ Regulatory Compliance

- ESD to the Electrical PINs: compatible with MIL-STD-883 Method 3015
- ESD to the Duplex LC Receptacle: compatible with IEC 61000-4-2
- Immunity compatible with IEC 61000-4-3
- EMI compatible with FCC Part 15 Class B EN55022 Class B (CISPR 22B) VCCI Class B
- Laser Eye Safety compatible with FDA 21CFR 1040.10 and 1040.11 EN60950, EN (IEC) 60825-1,2
- ROHS compliant with ROHS 2 (2011/65/EU)

■ Pin Descriptions

Pin	Symbol	Name/Description	Ref.
1	GND	Module Ground	

SFP-XDxxHM0xDL80

2	VEE5	Optional -5.2 Power Supply – Not required	
3	MOD_DESEL	Module De-select; When held low allows the module to respond to 2-wire serial interface. LVTTTL-I	
4	/INTERRUPT	Interrupt; Indicates presence of an important condition which can be read via the 2-wire serial interface. LVTTTL-O	2
5	TX_DIS	Transmitter Disable. Logic1 indicates laser output disabled, LVTTTL-I	
6	VCC5	+5V Power Supply	
7	GND	Module Ground	1
8	VCC3	+3.3V Power Supply	
9	VCC3	+3.3V Power Supply	
10	SCL	2-Wire Serial Interface Clock. LVTTTL-I	2
11	SDA	2-Wire Serial Interface Data Line. LVTTTL-I/O	2
12	MOD_Abs	Indicates Module is not present. Grounded in the Module. LVTTTL-O	2
13	MOD_NR	Module Not Ready; Indicating Module Operational Fault. Open-collector. LVTTTL-O	2
14	RX_LOS	Loss of Signal indication. Logic 1 indicates loss of Signal. Open-collector. LVTTTL-O	2
15	GND	Module Ground	1
16	GND	Module Ground	1
17	RD-	Receiver Inverted Data Output. CML-O	
18	RD+	Receiver Non-Inverted Data Output. CML-O	
19	GND	Module Ground	1
20	VCC2	+1.8V Power Supply (Not required).	3
21	P_DOWN/RESET	Power down; When high, requires the module to limit power consumption to 1.5W or below. 2-Wire serial interface must be functional in the low power mode. LVTTTL-I	
		Reset; The falling edge initiates a complete reset of the module including the 2-wire serial interface, equivalent to a	

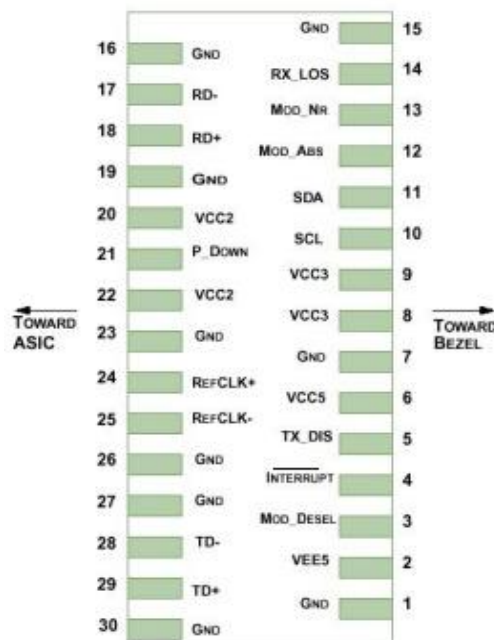
SFP-XDxxHM0xDL80

		power cycle. LVTTTL-I	
22	VCC2	+1.8V Power Supply (Not required)	3
23	GND	Module Ground	1
24	REFCLK+	Reference Clock (Not required)	
25	REFCLK-	Reference Clock (Not required)	
26	GND	Module Ground	1
27	GND	Module Ground	1
28	TD-	Transmitter Inverted Data Input. CML-I	
29	TD+	Transmitter Non-Inverted Data Input. CML-I	
30	GND	Module Ground	1

Notes:

1. Module ground pins GND are isolated from the module case and chassis ground within the module.
2. Open collector; Should be pulled up with 4.7K-10Kohms to a voltage between 3.15V and 3.6V on the host board.
3. The pins are open within module.

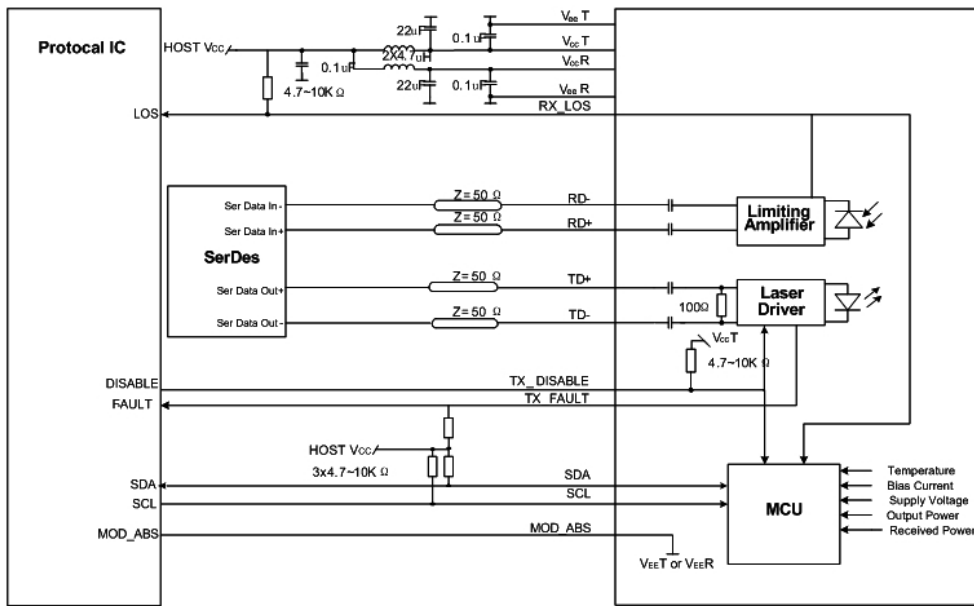
■ Pin-out Connector Block on Host Board



Pin-out of Connector Block on Host Board

■ Recommend Circuit Schematic

SFP-XDxxHM0xDL80



Absolute Maximum Ratings

Parameter	Symbol	Min	Typ	Max	Unit	Ref.
Maximum Supply Voltage	Vcc3	-0.5		+4.0	V	
	Vcc5	-0.5		+6.0	V	
Storage Temperature	TS	-40		+85	°C	
Operating Humidity	RH	0		85	%	

Recommended Operating Conditions

Parameter	Symbol	Min	Typ	Max	Unit	Ref.
Power Supply Voltage	Vcc3	3.13	3.30	3.47	V	
	Vcc5	4.75	5.0	5.25	V	
Power Supply Current	Icc3			600	mA	
	Icc5			100	mA	
Case Operating Temperature	Tc	0		+70	°C	Commercial
	Te	0		+85		Extend
	Tl	-40		+85		Industrial
Bit Rate	Br	9.95		11.3	Gbps	
9/125um G.652 SMF	Lmax			80	km	

Electrical Characteristics (TOP=25°C, Vcc3=3.3Volts)

SFP-XDxxHM0xDL80

Parameter	Symbol	Min	Typ	Max	Unit	Ref.
Transmitter						
Input differential impedance	Rin	80	100	120	Ω	1
Differential data input swing	Vin, pp	120		850	mV	
TX Disable-High		Vcc – 0.8		Vcc	V	
TX Disable-Low		Vee		Vee+ 0.8	V	
TX Fault-High		Vcc-0.8		Vcc	V	
TX Fault-Low		Vee		Vee+0.8	V	
Receiver						
Single ended data output swing	Vout, pp	300		850	mV	2
Data output rise time	Tr	30			ps	3
Data output fall time	Tf	30			ps	3
LOS-High		Vcc – 0.8		Vcc	V	
LOS-Low		Vee		Vee+0.8	V	

Notes:

1. AC coupled.
2. Into 100 ohm differential termination.
3. 20 – 80 %

Optical Characteristics (TOP=25°C, Vcc3=3.3 Volts)

Parameter	Symbol	Min	Typ	Max	Unit	Ref.
Transmitter						
Output Opt. Power	PO	-1		4	dBm	
Optical Wavelength	λ	As per ITU-T 694.1			nm	
Side-Mode Suppression Ratio	SMSR	30			dB	
RMS Spectral Width(-20dB)	σ			1	nm	
Optical Extinction Ratio	ER	9.0			dB	
Tx Jitter(SONET)20KHZ-80MHZ	Txj1			0.3	UI	3
Tx Jitter(SONET)4MHZ-80MHZ	TXj2			0.1	UI	3
Path penalty at 1600ps/nm@9.95Gb/s				3	dB	

SFP-XDxxHM0xDL80

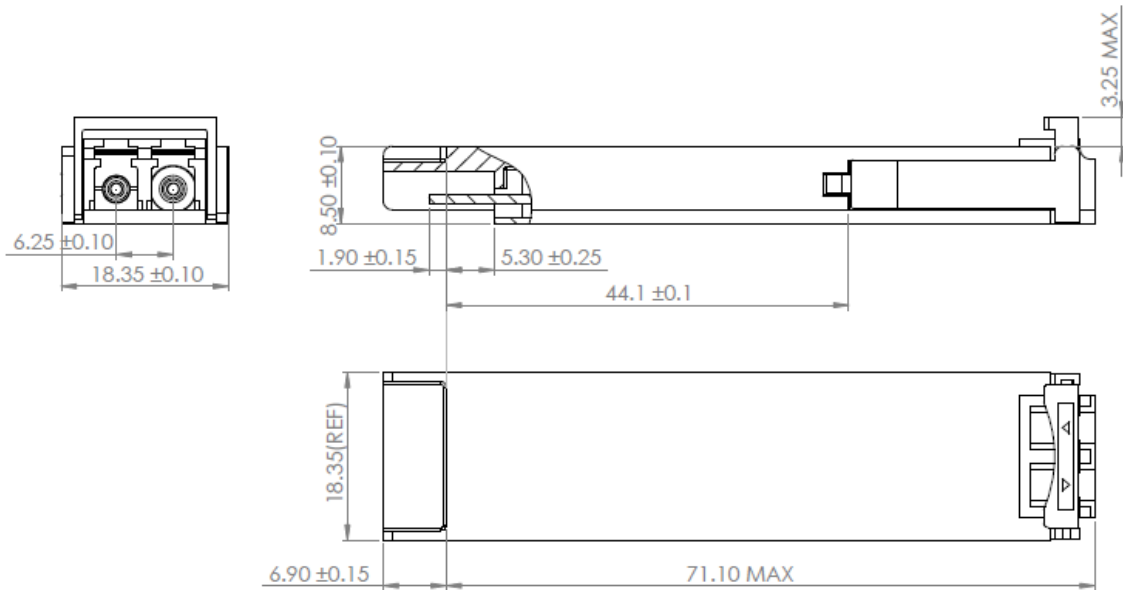
Relative Intensity Noise	RIN			-128	dB/Hz	
Center Wavelength	λ_c EOL	z-100	z	Z+100	pm	
Receiver						
RX Sensitivity @10.3 Gb/s	SENS			-24	dBm	1,2
Receiver Overload		-7		-	dBm	
Optical Center Wavelength	λ_c	1260		1600	nm	
LOS De-Assert	LOSD			-28	dBm	
LOS Assert	LOSA	-37			dBm	
LOS Hysteresis	-	0.5			dB	
Rx Noise-Limited Performance(OSNR)						
Bit Rate(Gb/s)	Max CD (ps/nm)	BER-		Max OSNR (dB)		REF
8.5,9.95-10.3	0	1E-12	OSNR1	24	4	
	1450		OSNR2	24	4	
10.7-11.1	0	1E-4	OSNR5	18	4	
	1300		OSNR6	18	4	

Notes:

1. Measured with conformance signals defined in FC-PI-2 Rev. 10.0 specifications.
2. Measured with PRBS 231-1 at 10-12 BER.
3. GR-253-CORE Issue 4.
4. With optical input power at the receiver between -7 ~ -18dBm.

■ Mechanical Specifications

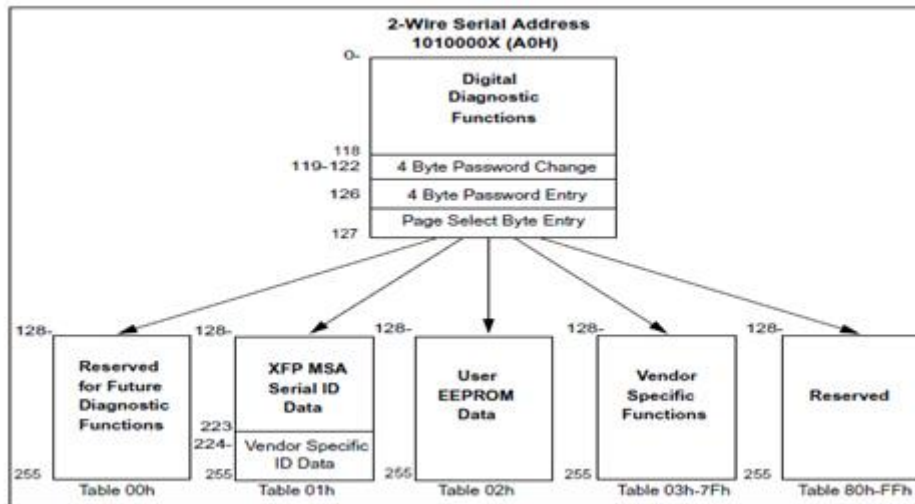
SFP-XDxxHM0xDL80



SFP-XDxxHM0xDL80

■ EEPROM Information

EEPROM memory map specific data field description is as below:



■ Digital Diagnostic Monitoring Interface

Five transceiver parameter values are monitored. The following table defines the monitored parameter's accuracy.

Parameter	Range	Accuracy	Calibration
-----------	-------	----------	-------------

SFP-XDxxHM0xDL80

Temperature	0 to +70°C (C)	±3°C	Internal
	0 to +85°C (E)		
	-40 to +85°C (I)		
Voltage	2.97 to 3.63V	±3%	Internal
Bias Current	0 to 100mA	±10%	Internal
TX Power	-1 to 4dBm	±3dB	Internal
RX Power	-24 to -7dBm	±3dB	Internal

■ Revision History

Revision	Initiated	Reviewed	Approved	DCN	Release Date
V1.0	xiaoiyou	wangqiang		New Released.	July 28, 2016