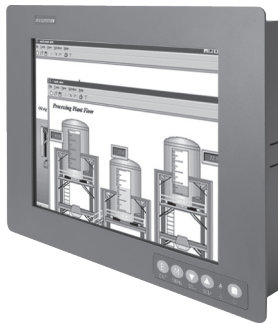


# P6173

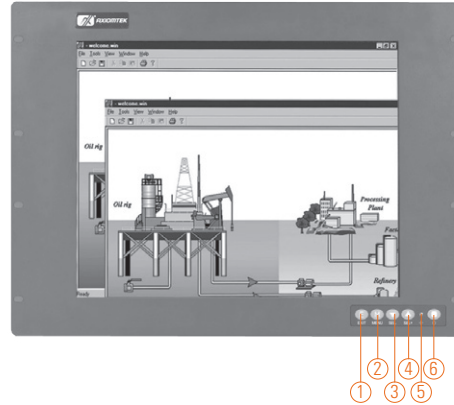
17" SXGA TFT Industrial LCD Monitor

## Features

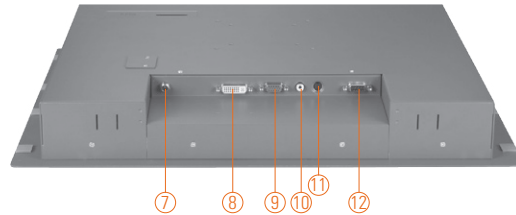
- 17" SXGA TFT LED backlight LCD
- NEMA 4/12 (IP65)- compliant flat panel monitor
- Supports panel mount, wall mount, rack mount and VESA arm
- Resistive touchscreen
- Full range screw-type (locked) AC-in or 24V DC-in (option)
- VGA, S-video, Video and DVI with multi-signal inputs



▲ Side view



1. Exit
2. Menu
3. SEL-
4. SEL+
5. Power LED
6. Power switch



7. DC power input
8. DVI (Only for DVI-D)
9. VGA
10. Video (CVBS)
11. S-video
12. T/S port

## Introduction

The P6173 is a slim industrial LCD monitor, which adopts 17-inch 350 nits high brightness SXGA LCD display and supports multi-signal interfaces including DVI, VGA, S-video, Video. Featuring NEMA 4/12 & IP65 compliant front bezel, screw-type adaptor plug design, and 12/24V DC-In means it is fit for all kinds of industrial environments. Moreover, the P6173 supports panel mount, wall mount, rack mount or VESA FPMPMI (Video Electronics Standards Association Flat Panel Monitor Physical Mounting Interface) mounting. With the compact mechanism design, users can enjoy free from space constraint. It is especially suitable for POI/POS, excellent HMI and all kinds of heavy-duty industrial fields.

## Specifications

Front Bezel	NEMA 4/12 (IP65)-compliant, metal front bezel	
Mounting	Panel mount, wall mount, rack mount and VESA arm FPMPMI mounting (video electronics standards association flat panel monitor physical mounting interface)	
LCD Panel	Display	17" SXGA TFT LCD
	Max. Resolution	1280 x 1024
	Max. Colors	16.7M
	Active Area (mm)	337.92 x 270.33
	Pixel Pitch (mm)	0.264 x 0.264
	Response Time	5 ms
	Backlight	LED
	Backlight MTBF	30,000 hrs
	Viewing Angle (H/V)	170°/160°
	Contrast Ratio	1000 (TYP.)
Brightness (cd/m <sup>2</sup> )	350 nits	
Display Control	OSD (on screen display)	
Display Mode	VGA 640 x 350 (70Hz), VGA 640 x 480 (60/72/75Hz), VGA 720 x 400 (70Hz), SVGA 800 x 600 (60/72/75Hz), XGA 1024 x 768 (60/72/75Hz), SXGA 1280 x 1024 (60/72/75Hz)	

## Specifications

Input Signal	VGA Video: R.G.B Analog 0.7v Peak-to-Peak DVI (Only for DVI-D) Touchscreen: Serial RS-232 or USB Video (optional) S-Video (optional)	
I/O Connectors	1 x RS-232 or USB for touchscreen version 1 x VGA input 1 x RCA for video (optional) 1 x S-Video for video (optional) 1 x DVI 1 x Screw-type DC power input	
Power Adapter	Screw-type external AC/DC power adapter	
Power Consumption	23 W	
Touchscreen	Thickness	Resistive: 3.2 mm
	Light Transmission	Resistive: 80%
	Power Consumption	Resistive: +5V @ 100mA
	Touch Life	Resistive: 35 million touches Controller interface: RS-232 D-type 9-pin male connector or USB
Dimensions	482 mm (19") (W) x 60 mm (2.36") (D) x 360 mm (14.2") (H)	
Packing Dimensions	610 mm (24.02") (W) x 260 mm (10.24") (D) x 590 mm (23.23") (H)	
Weight (net/gross)	5.5 kg (12.12 lb)/12.7 kg (28 lb)	
Environment	Operating temperature: 0°C ~ +55°C (+32°F ~ +131°F) Relative humidity: 20%~90% @ 40°C, non-condensing	
Certificate	CE	

## Ordering Information

### P6173

AC Power	Panel Mount Monitor	
	Resistive (RS-232)	P6173PR-AC-RS-V3-RC-US-EU
	Resistive (USB)	P6173PR-AC-U-V3-RC-US-EU
	Glass	P6173PG-AC-V3-RC-US-EU
24VDC Power	Panel Mount Monitor	
	Resistive (RS-232)	P6173PR-24VDC-RS-V3-RC
	Resistive (USB)	P6173PR-24VDC-U-V3-RC
	Glass	P6173PG-24VDC-V3-RC

### P6173L (Input: VGA and DVI only)

AC Power	Panel Mount Monitor	
	Resistive (RS-232)	P6173LPR-AC-RS-V3-RC-US-EU
	Resistive (USB)	P6173LPR-AC-U-V3-RC-US-EU
	Glass	P6173LPG-AC-V3-RC-US-EU
24VDC Power	Panel Mount Monitor	
	Resistive (RS-232)	P6173LPR-24V-DC-RS-V3-RC
	Resistive (USB)	P6173LPR-24V-DC-RS-V3-RC
	Glass	P6173LPG-24V-DC-V3-RC

\* Specification and certifications are based on options and may vary.

## Optional Accessories

ARM-VM-101	VESA arm (clamp type)
ARM-VM-105	VESA arm (wall mount type)
Wall mounting & desktop stand	



▲ Stand kit



▲ Various mounting ways: panel/wall/VESA



▲ Screw-type power input



▲ Phoenix-type power input

## Dimensions

