



Product Specifications





Customer :	
Model No. :	NTM190 V2

Features :



- ★ 19" 5:4 ,1280x1024 (SXGA) Resolution
- ★ 5-Wire Resistive / Surface Capacitive Touch Options
- ★ 3 Years Warranty
- ★ Survivable in All Environments
- ★ High Brightness Options
- ★ AG/AR/AF Film Options
- ★ All Kind of Connector Options (VGA/DVI/HDMI/DP)
- ★ Metal Cabinet with Diverse Installing Options



			
BSMI	CE	FCC	RoHS
Compliance			

Records of Revision			
Vision	Modifying	Old Description	New Description
v1612.1	Revision		

Display Specifications

General Specifications

Full Model No.	NTM190XXXXXXX- 002	Support Color	16.7M Color
Abbreviation	NTM190XX V2	Pixel Pitch	0.294x0.294 mm
Screen Diagonal	482.6 mm (19.0 inch)	Response Time	5 msec
Display Area	376.32x301.06 mm	Backlight Unit	LED (white LED)
Resolution	1280x1024 (SXGA+)	Viewing Angle (L/R,U/D)	170° / 160° (TN)
Brightness	250 nits *(Optional)	Operating Temp.	0-50°C
Contrast Ratio	1000:1	Surface Treatment	Anti-glare, Hardness 3H
Display Ratio	5:4		

Brightness Options

Item	Brightness	Model No.
Standard	250 nits	NTM190XXXX N XX-002
Industrial	350 nits	NTM190XXXX 3 XX-002
Enhanced	1000 nits	NTM190XXXX A XX-002
Enhanced	1600 nits	NTM190XXXX G XX-002

Display Input Options

Item	Connectors	Model No.
Standard	VGA+DVI	NTM190XXXXXX G -002
Option1	VGA+DVI+HDMI	NTM190XXXXXX 7 -002
Option2	VGA+HDMI+DP	NTM190XXXXXX 3 -002

Power Input Options

Power Input	Connector	Model No.
DC 12V (Standard)	DC Jack 2.5 ϕ with Adapter	



Fan Options

Item	Description	Model No.
Standard	Fanless	

Touch Specifications

Non-touch Model

Full Model No.	NTM1900XXXXX-002		
----------------	------------------	--	--

Resistive Touch Model

Full Model No.	NTM1905XXXXX-002	Transparency	80% ±5%
Touch Screen	5 Wire Resistive Touch	Precision	98.50%
Allowed touch points	1 point	Surface Treatment	Anit-glare <15%
Interface	USB or RS232	Hardness	≥3H

Surface Capacitive Touch Model

Full Model No.	NTM190CXXXXX-002	Transparency	≥92% ±3%
Touch Screen	Surface Capacitive	Precision	99.00%
Allowed touch points	1 point	Surface Treatment	Anit-glare <7%
Interface	USB or RS232	Hardness	≥9H

Surface Film Options

AG	Anti-Glare	AR	Anti-Reflective
AFP	Anti-Fouling/FingerPrint	AS	Anti-Spy

Display Control Options

OSD	Physical button (standard)	
-----	----------------------------	--



Physical Specifications

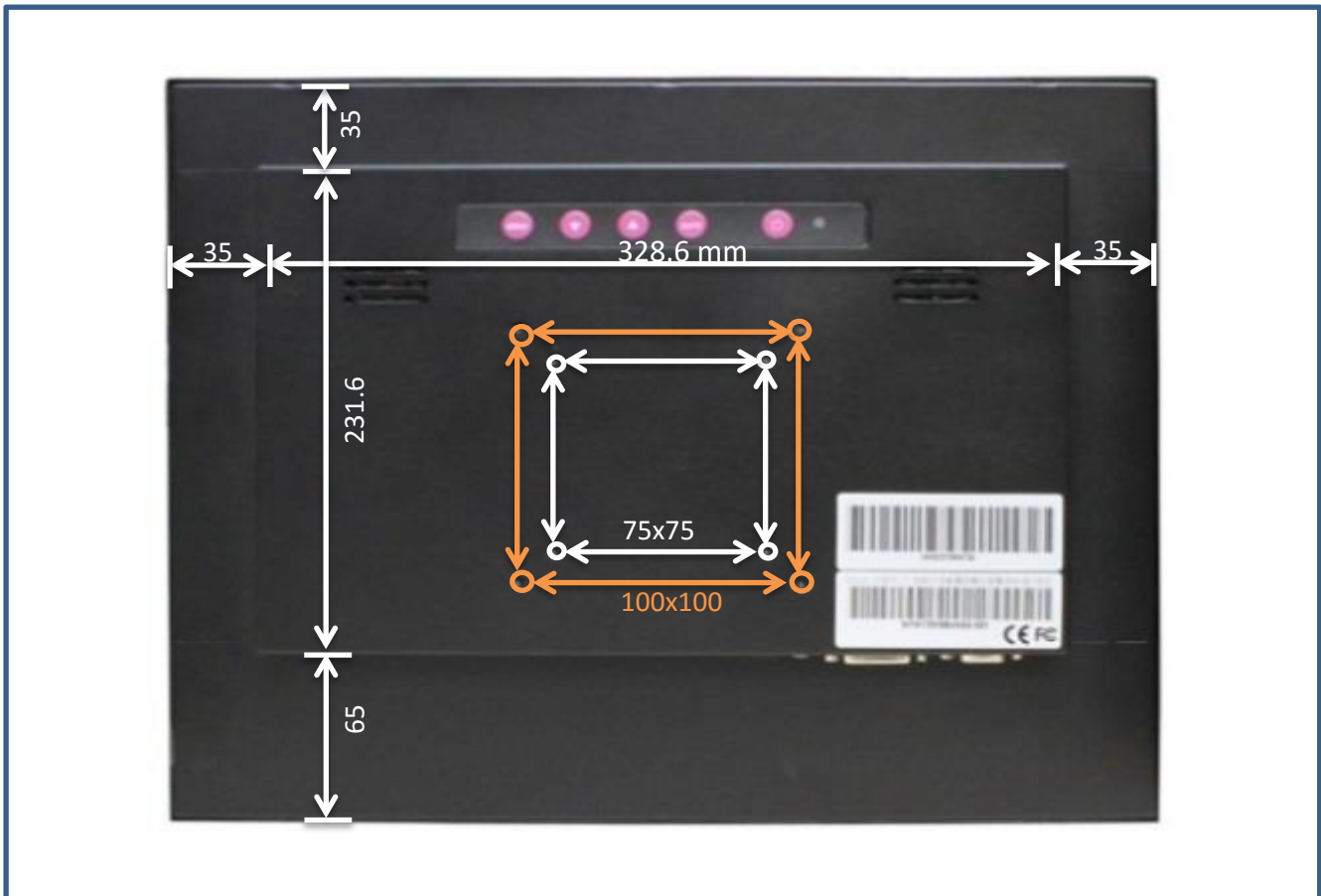
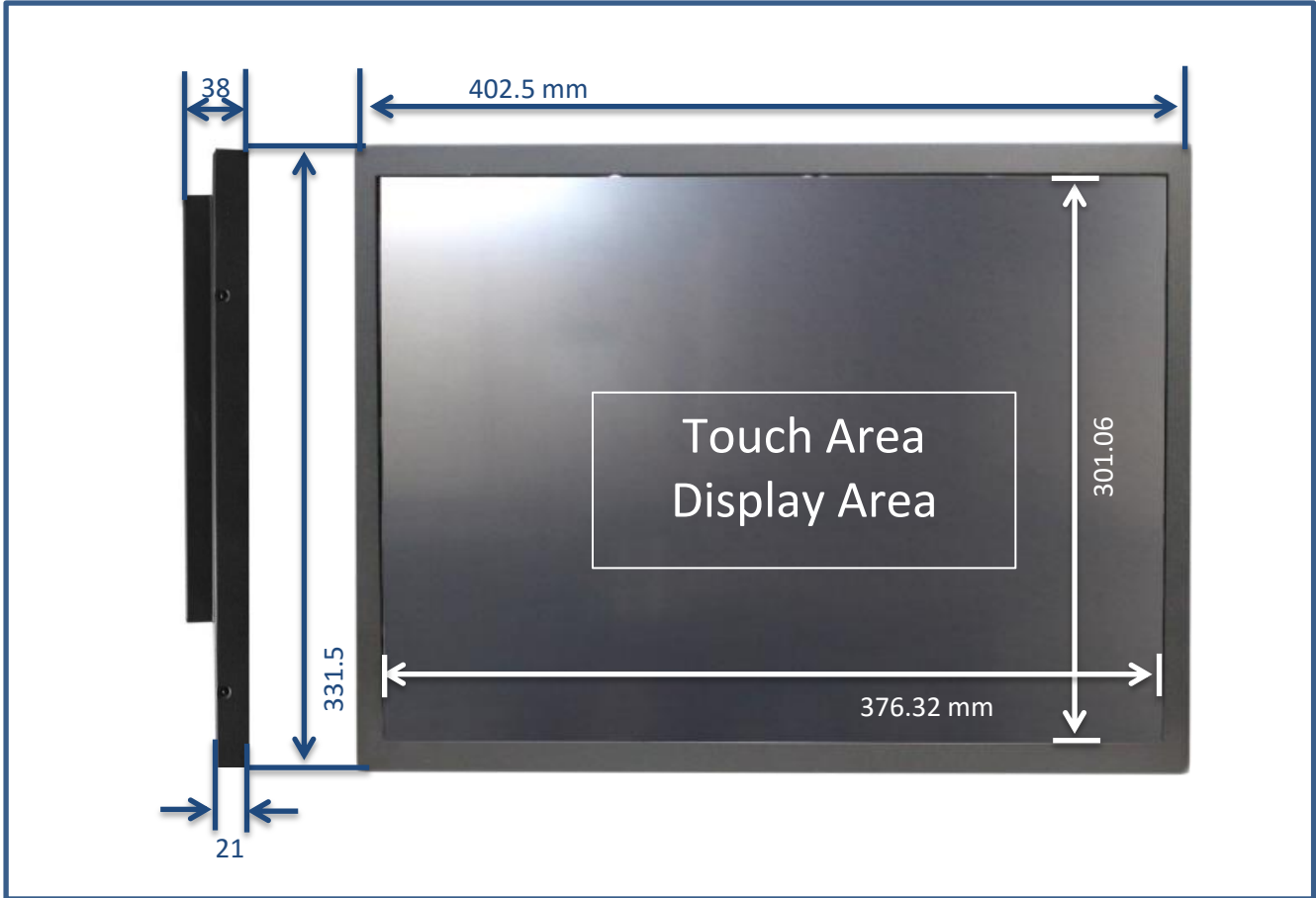
Dimension (Max)	402.5x331.5x38 mm	Cabinet Material	Galvanized steel (SECC)
Net Weight	≤4.1 KG	Speaker	2W x2
Wall Mount Hole	75x75 / 100x100 mm		

Accessories

Item	Description	Quantity
VGA Cable	D-Sub 15Pin Male to Male , 1.2 Meter	1
Audio cable	3.5mm Headset Jack , Male to Male , 1.2 Meter	1
AC-DC Adapter	4.16A/12V with CE/FCC/CCC/UL/RoHS/PSE/JET Certification	1
Power cord	*(depends on Country)	1
USB Cable	A type , Male to Male , 1.5 Meter *(only for touch monitor)	1

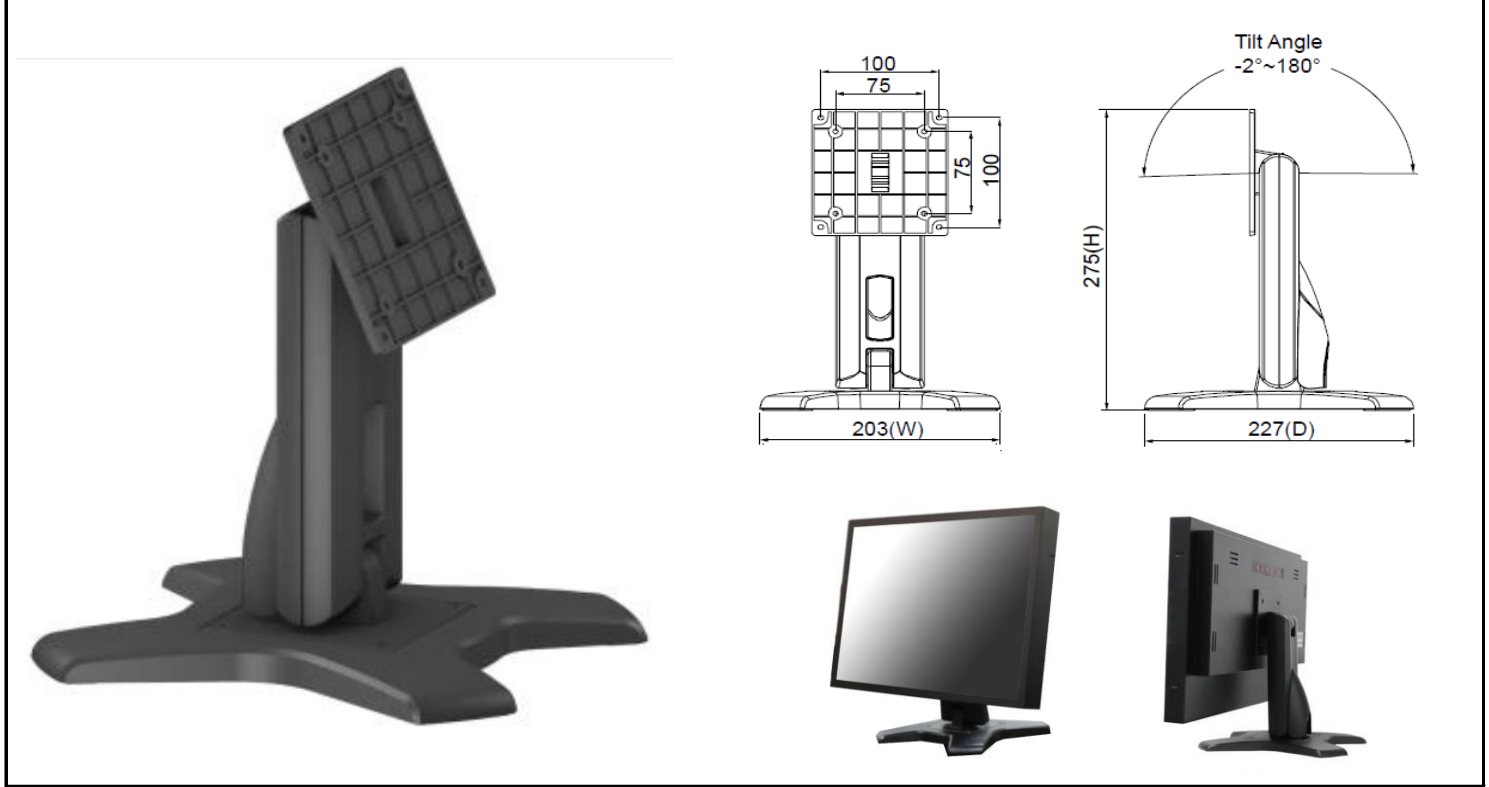


Outward and Dimensions

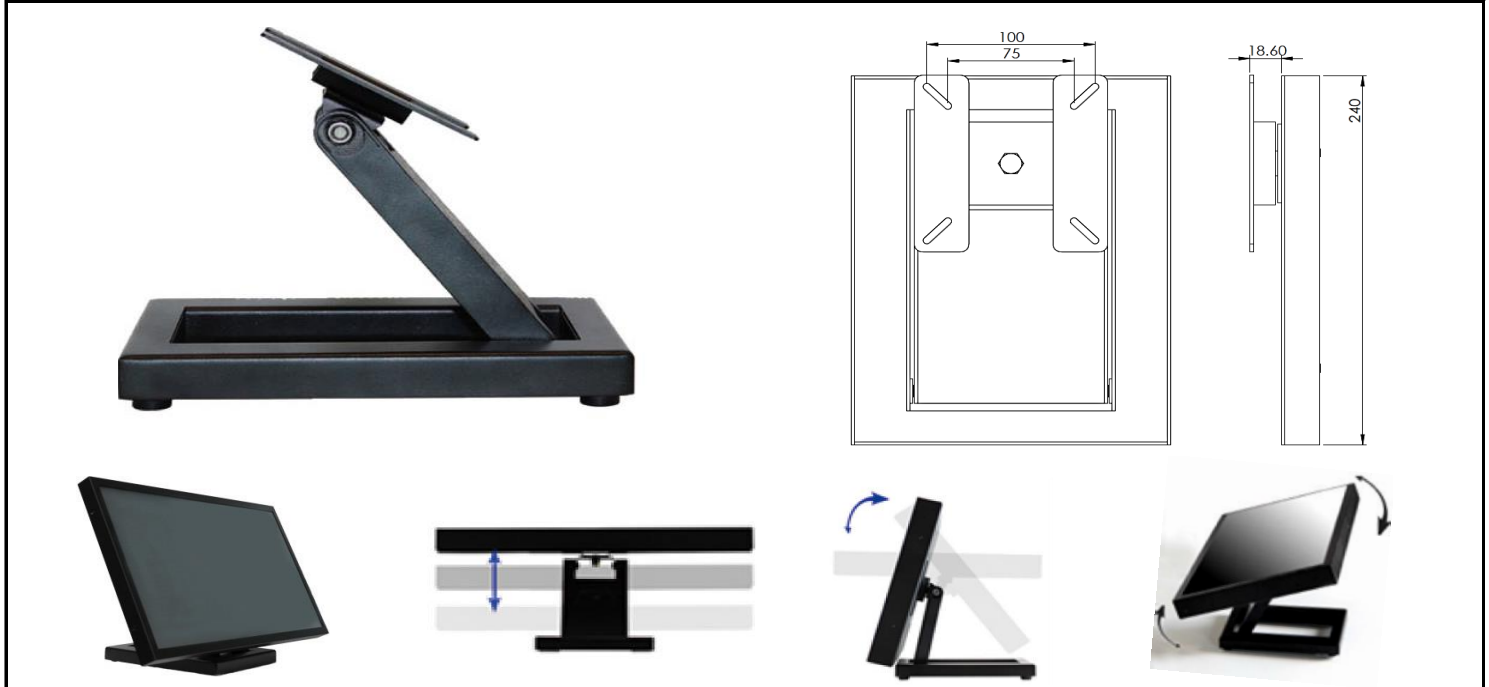


Optional Accessories (Desktop Stand)

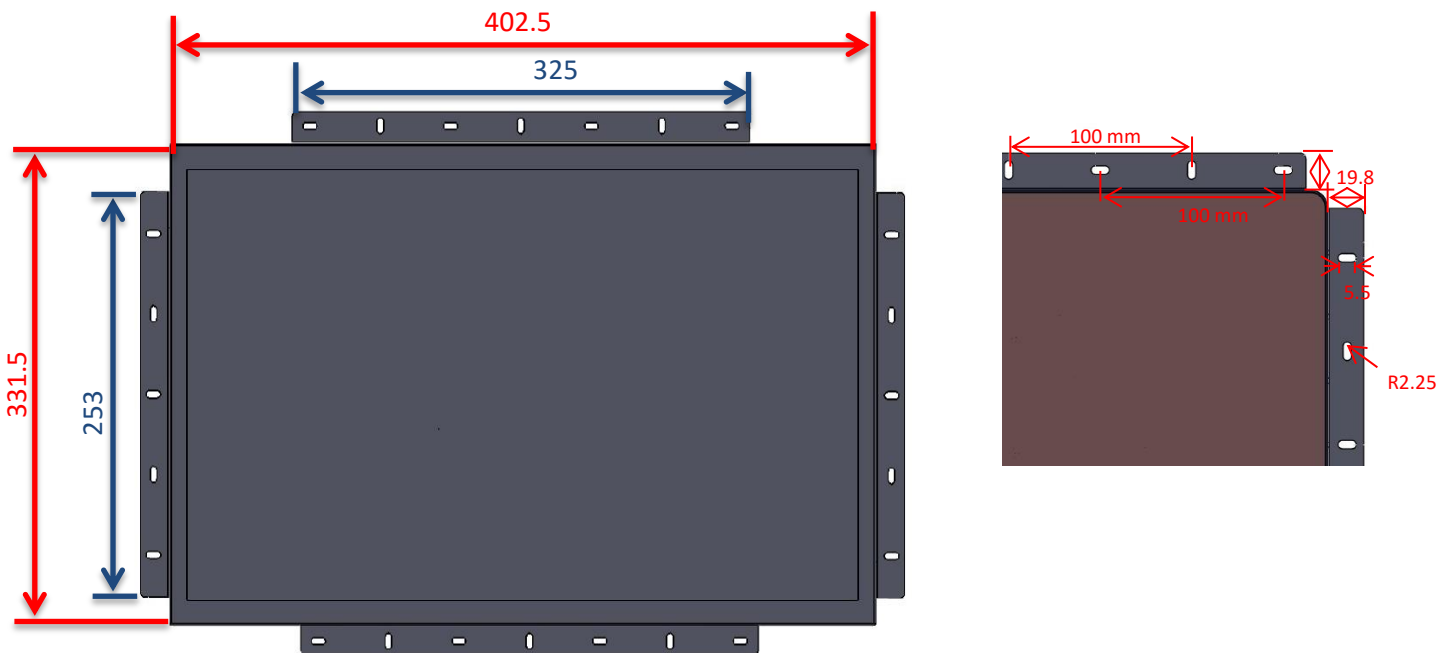
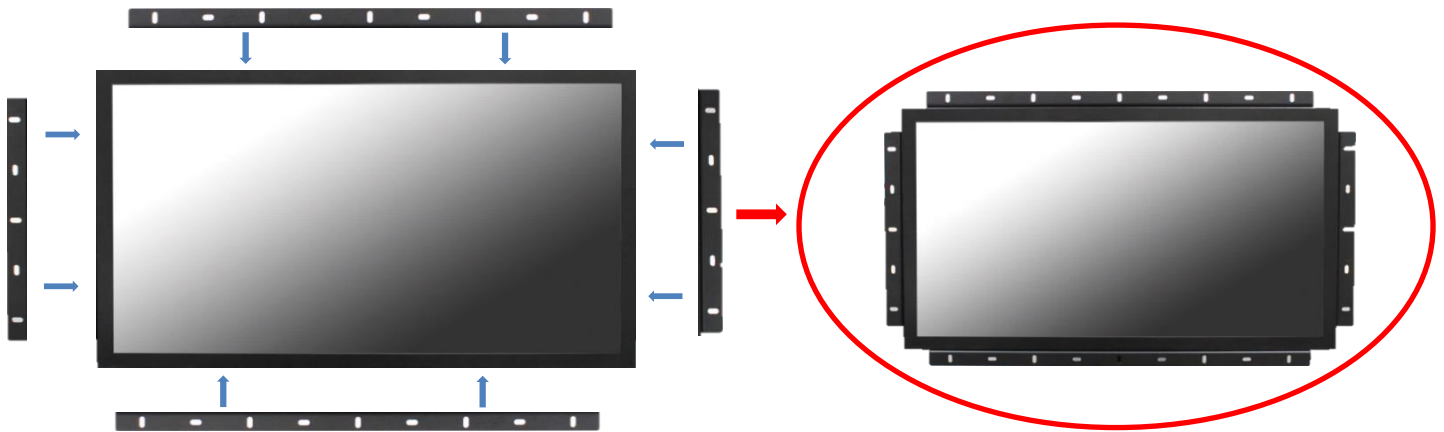
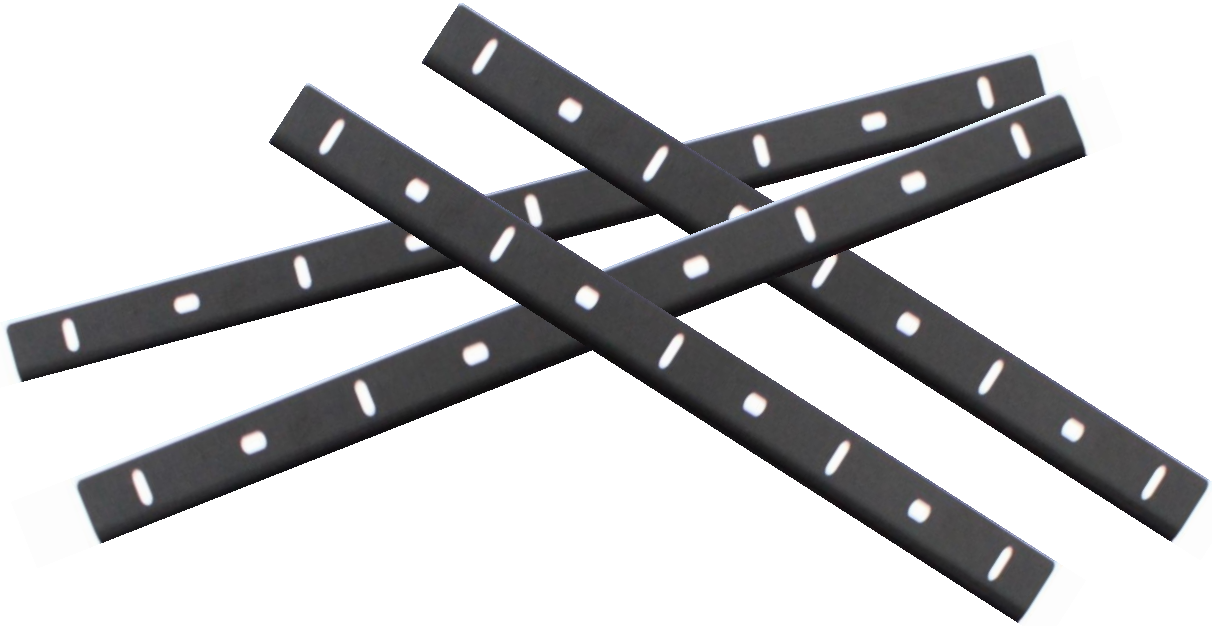
Item	B Stand	Part No.	P1SS0 / P1SS0-02
Mounting Pattern	100x100 / 75x75 mm	Dimension (WxHxD)	203x275x227 mm
Material	Steel/Plastic/Aluminum	Net Weight	1.8 KG
Tile(Hinge)	-2° ~ +180°	Support Max. Weight	15 KG



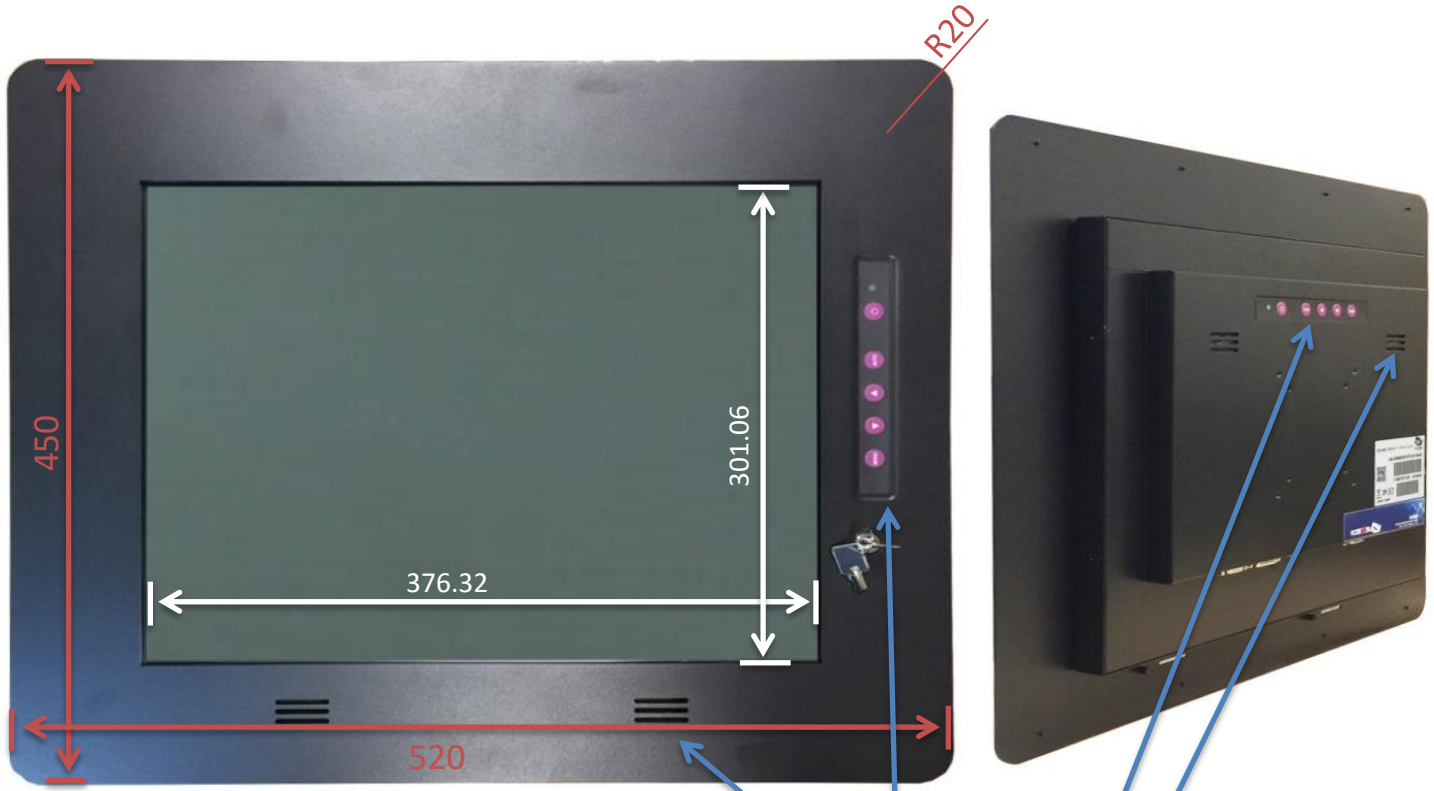
Item	Z Stand	Part No.	P1SZ2
Mounting Pattern	100x100 / 75x75 mm	Dimension (WxHxD)	190x240x41.6
Material	SECC	Net Weight	2.6 KG
Tile(Hinge)	±360°	Support Max. Weight	15 KG



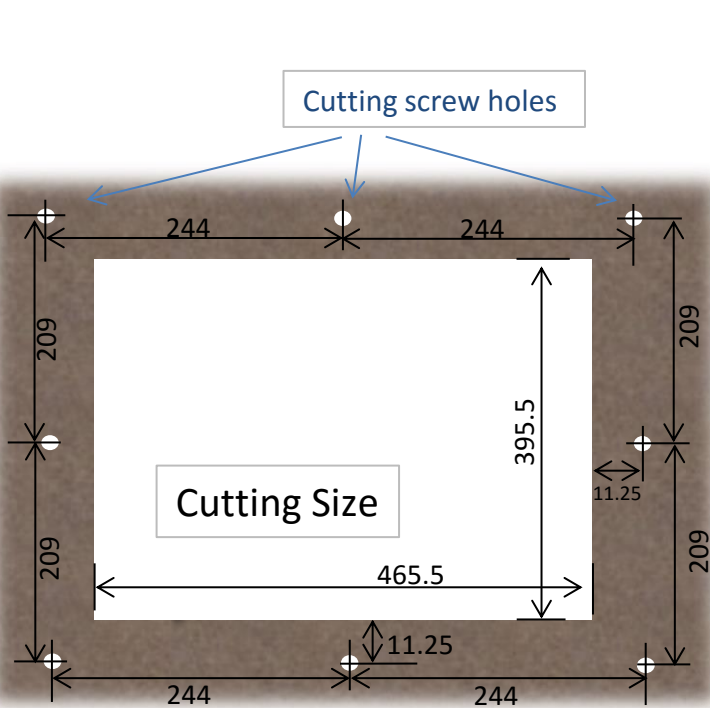
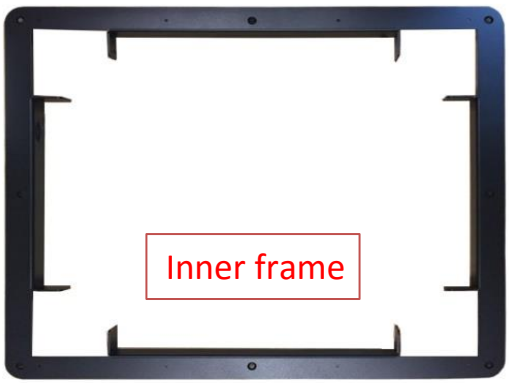
Optional Accessories (Open-frame Brackets)

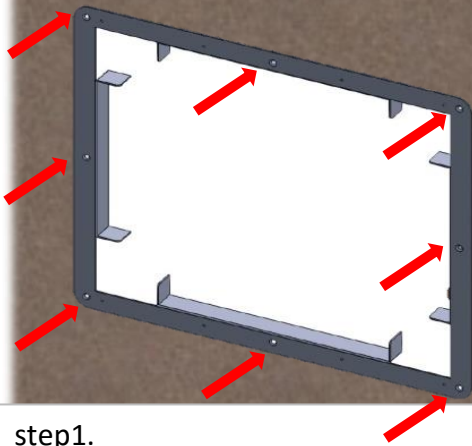


Optional Accessories (Panel Mount Kits)

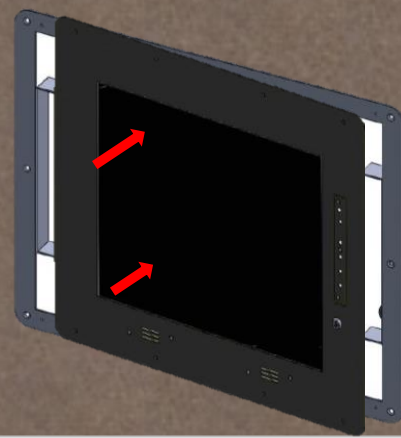


Tips.
OSD button and speaker can be on front or hidden on back.

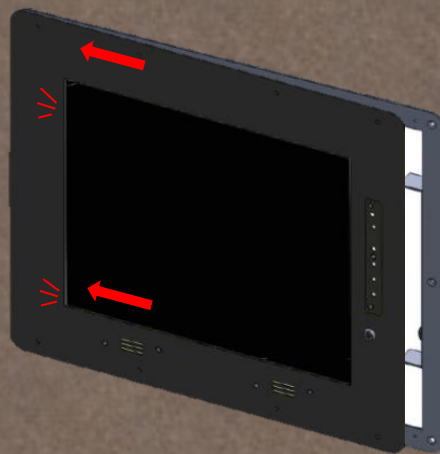


Optional Accessories (Panel Mount Kits)**Installing Guide**

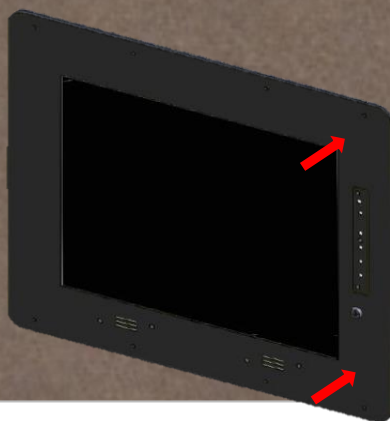
step1.
Mount the inner frame to wall/door/KIOSK , and screw it.
(Use M4 taper screws)



step2.
Mount the display from front and slightly keep right (insert aslant)



step3.
Push the display to the left, stuck up.



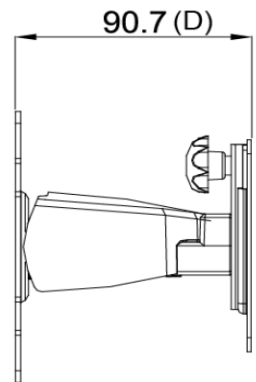
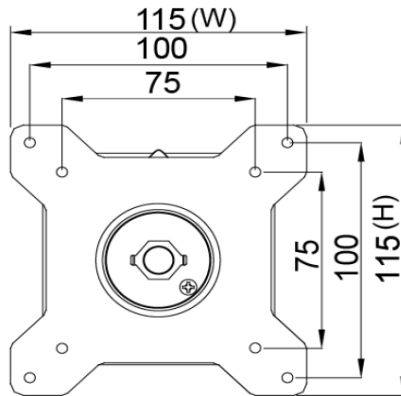
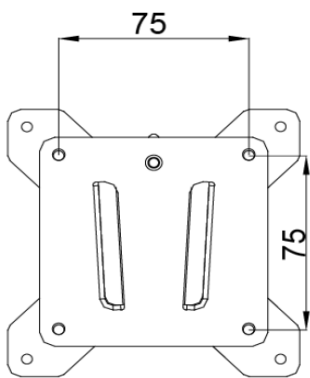
step4.
Push the display to insert completely



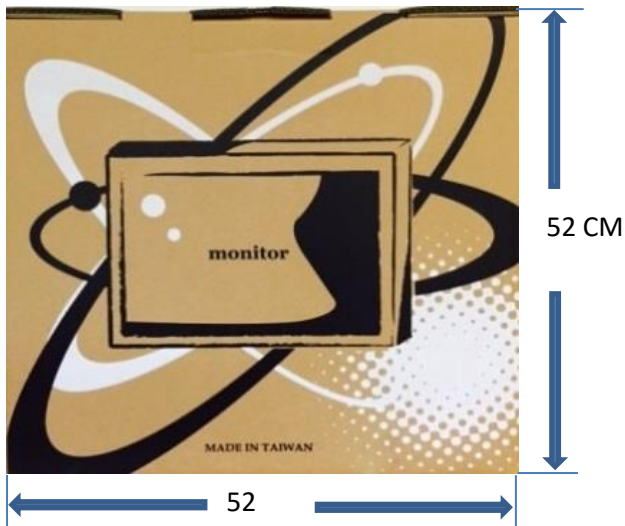
step5.
Lock it !



Optional Accessories (Wall Mount Bracket)



Packing Information



Net Weight	4.1KG
Gross Weight	5.1KG
Q'ty per Pallet	
Pallet Size	
Total Size	

Optional Accessories (Desktop Stand or Arm)



- 273x180x265 mm
 - 1.07 KG
 - Support 12 KG



- 620x556x123 mm
 - 3 KG
 - Support 10 KG



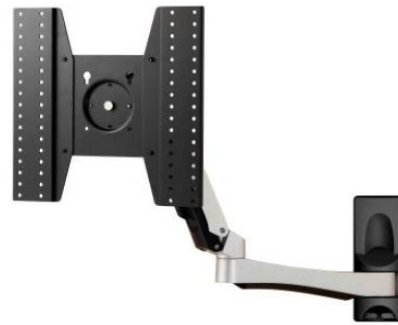
- 250x192x445 mm
 - 1.4 KG
 - Support 12 KG



- 655x858.5x563 mm
 - 7.56 KG
 - Support 30 KG



- 158x403x144 mm
 - 2.12 KG
 - Support 12 KG



- 646x861x953.5 mm
 - 8.57 KG
 - Support 30 KG



- 423x403x240 mm
 - 1.91 KG
 - Support 12 KG



- 1300x403x307 mm
 - 5.3 KG
 - Support 8 KG



- 715x393x144 mm
 - 3.68 KG
 - Support 12 KG

