

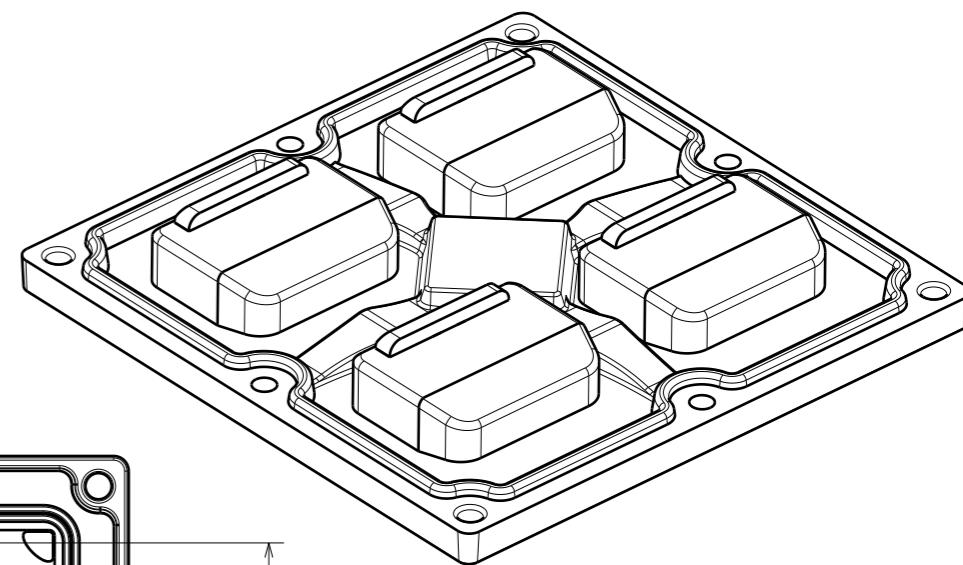
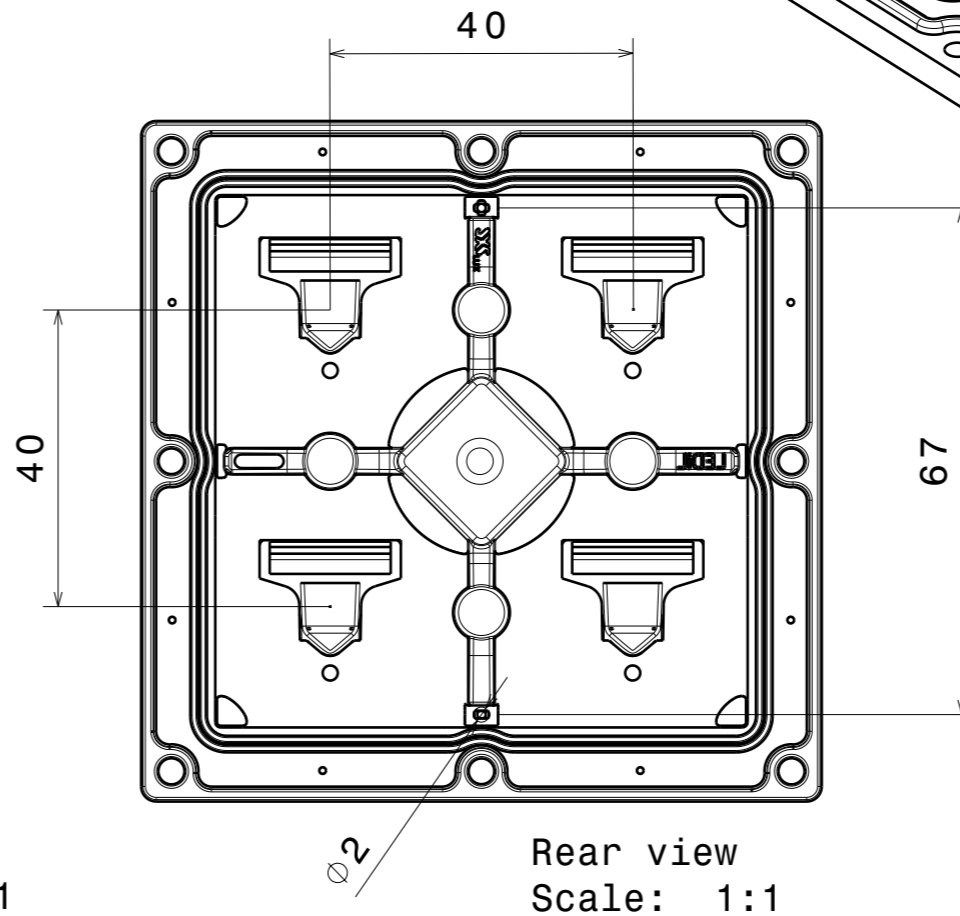
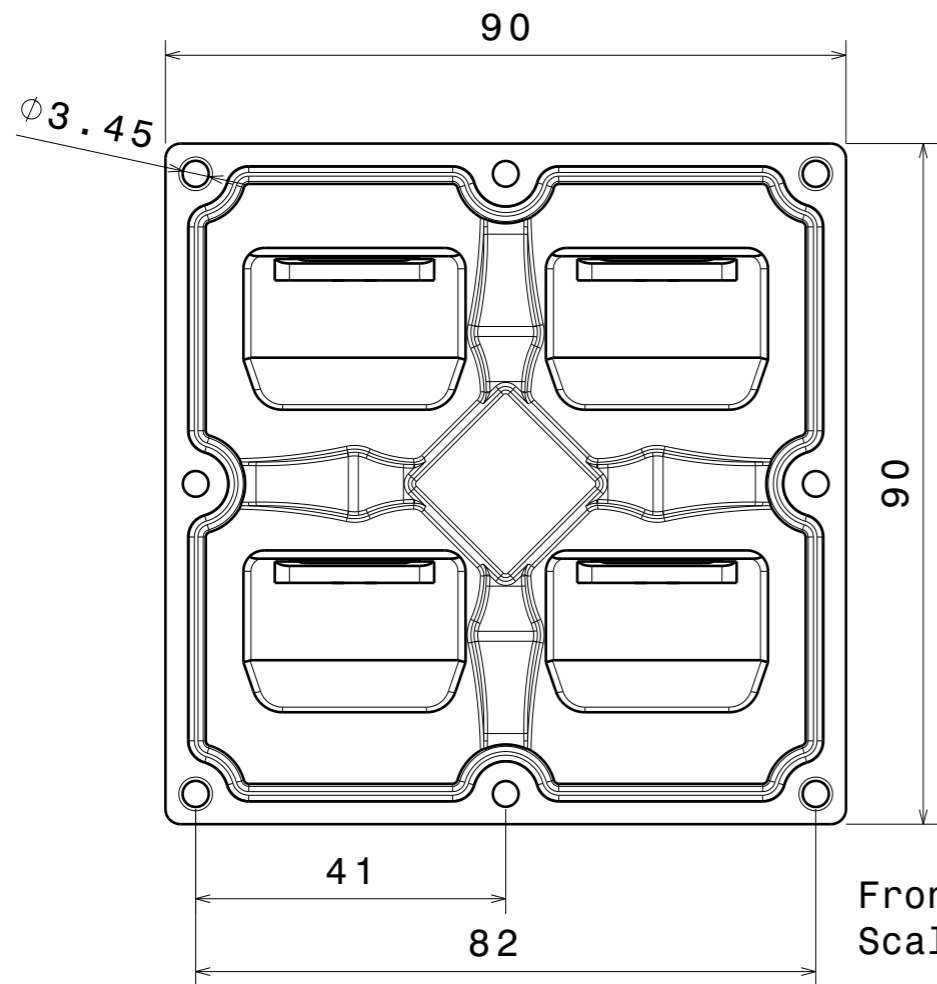
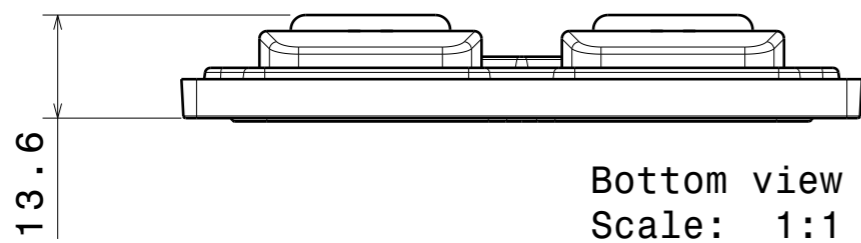
## DETAILS

<b>Product Number</b>	CS15751_STRADA-2X2MX-8-DWC
<b>Family</b>	Strada
<b>Type</b>	Assembly
<b>Color</b>	clear
<b>Diameter</b>	90x90 mm
<b>Height</b>	11,13 mm
<b>Style</b>	square
<b>Optic Material</b>	
<b>Holder Material</b>	
<b>Fastening</b>	screw
<b>Status</b>	production ready
<b>ROHS Compliant</b>	Yes
<b>Date Updated</b>	31/05/2017



## OPTICAL PROPERTIES

LED	Viewing Angle	Light Beam	Efficiency	cd/lm	Connector
PSL440	sim: Asymmetri	Streetligh...	sim: 94 %	sim: 0.520	-
PSL445	sim: Asymmetri	Streetligh...	sim: 90 %	sim: 0.378	-
CXA/B 15xx	asym deg	Streetligh...	94 %	0.480	Bender Wirth: Typ 441 2x2MX
LUXEON M/MX	sim: Asymmetri	Streetligh...	sim: 90 %	-	-



INDEX	PART NO	DESCRIPTION	MATERIAL	COLOUR
1	C15676	STRADA-2X2MX-8-DWC	PMMA	
	C15757	STRADA-2X2MX-8-SEAL	Silicone	

Tolerances if not otherwise shown  
According to DIN ISO 2768-1  
Linear measures:  
Up to 30mm class M, otherwise class C.  
According to DIN ISO 2768-2  
Form and position: class L



Ledil Oy  
Salorankatu 10  
FIN 24240 SALO  
Finland

THIRD ANGLE PROJECTION:

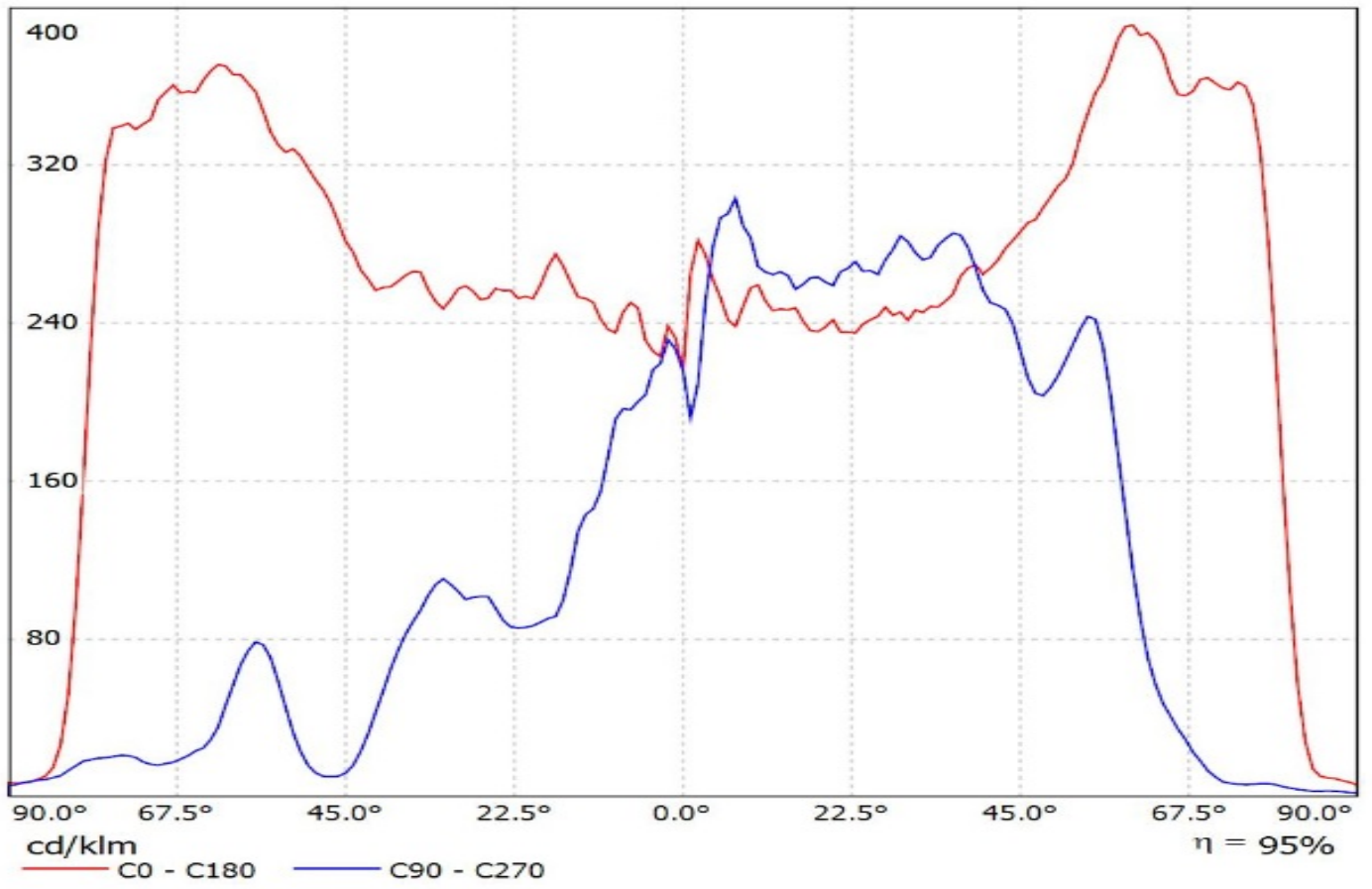
DRAWING TITLE  
**CS15751\_STRADA-2X2MX-8-DWC**

This drawing is the property of LEDiL Oy. It may not be reproduced, copied or communicated without a written agreement with LEDiL Oy.

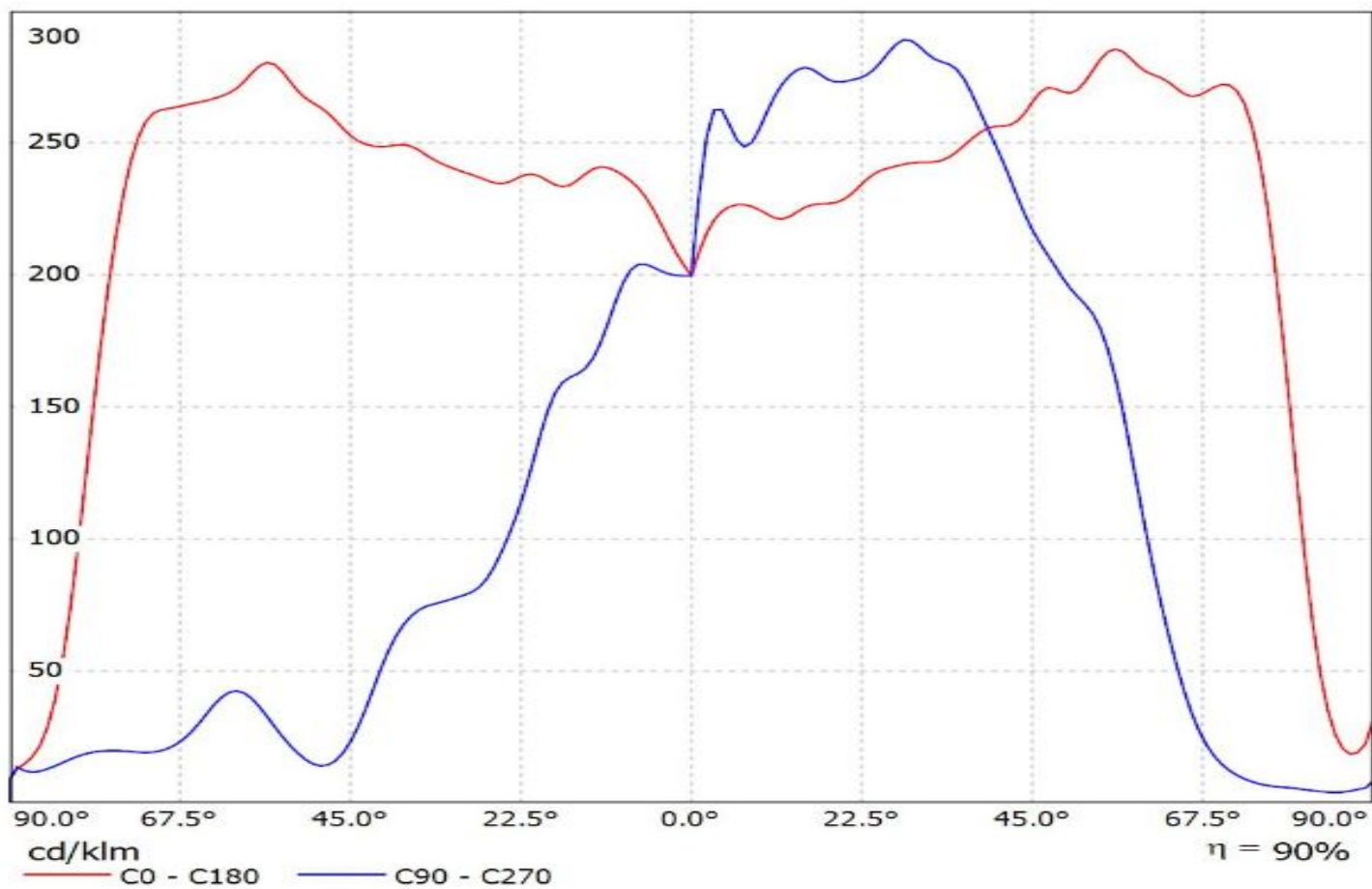
SIZE	PART NUMBER
<b>A3</b>	<b>CS15751</b>

SCALE	1:1	WEIGHT	41,7 g	SHEET	1/1
-------	-----	--------	--------	-------	-----

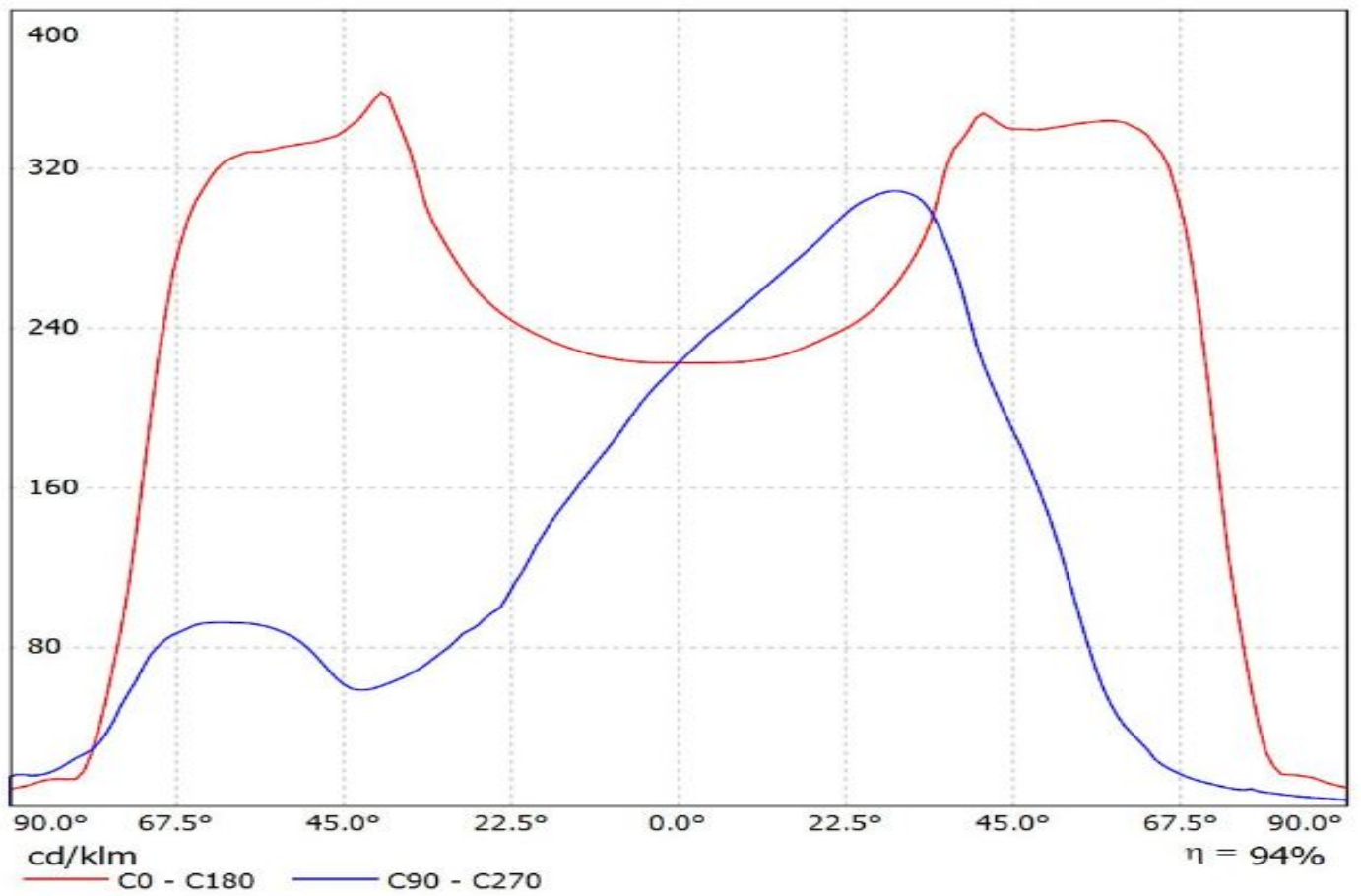
Luminaire: Ledil Oy CS15751\_STRADA-2X2MX-8-DWC\_(PSL440)\_SIMULATED  
Lamps: 1 x CITIZEN PSL440



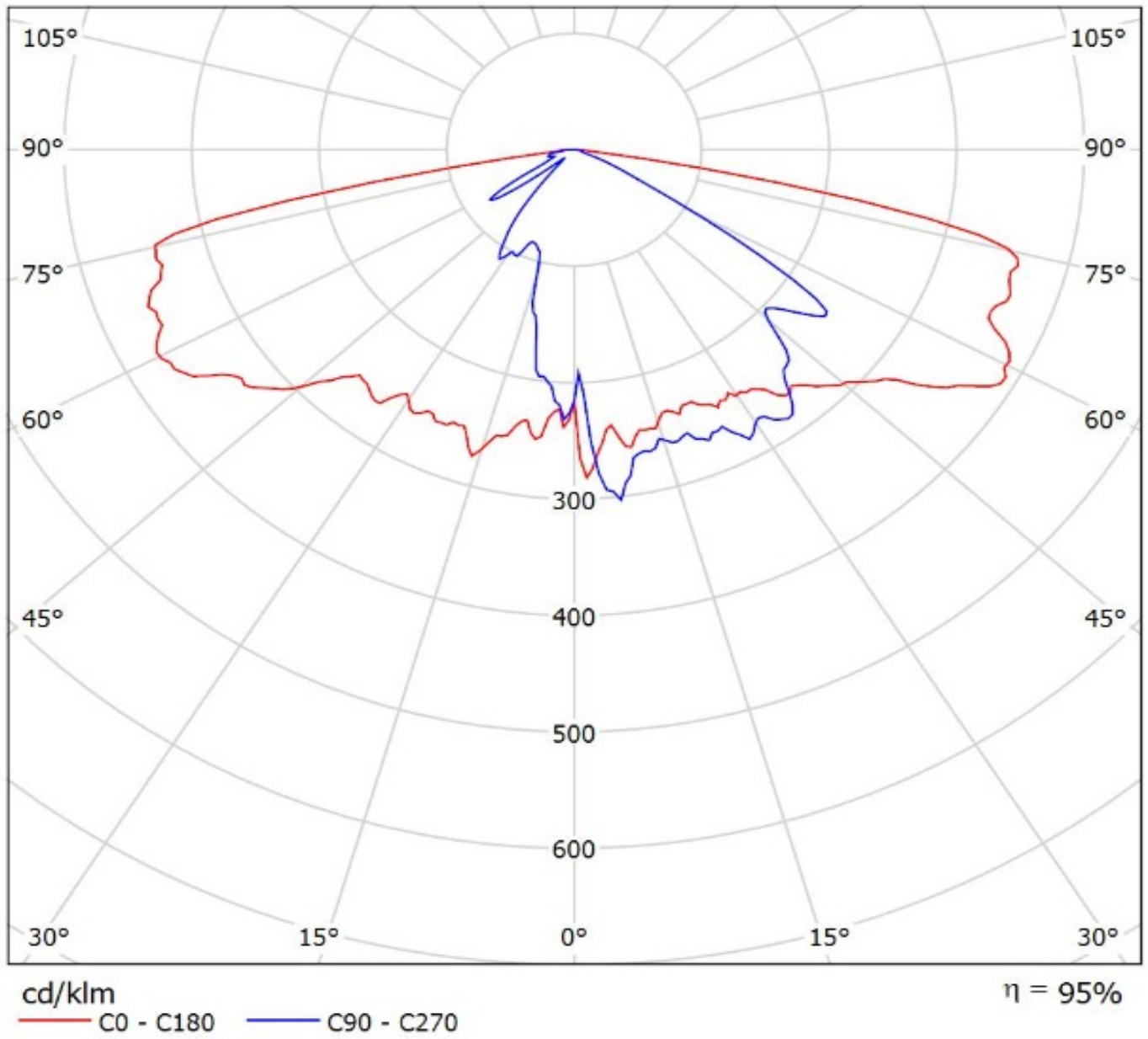
Luminaire: Ledil Oy CS15751\_STRADA-2X2MX-8-DWC\_(PSL445)\_SIMULATED  
Lamps: 1 x CITIZEN PSL445



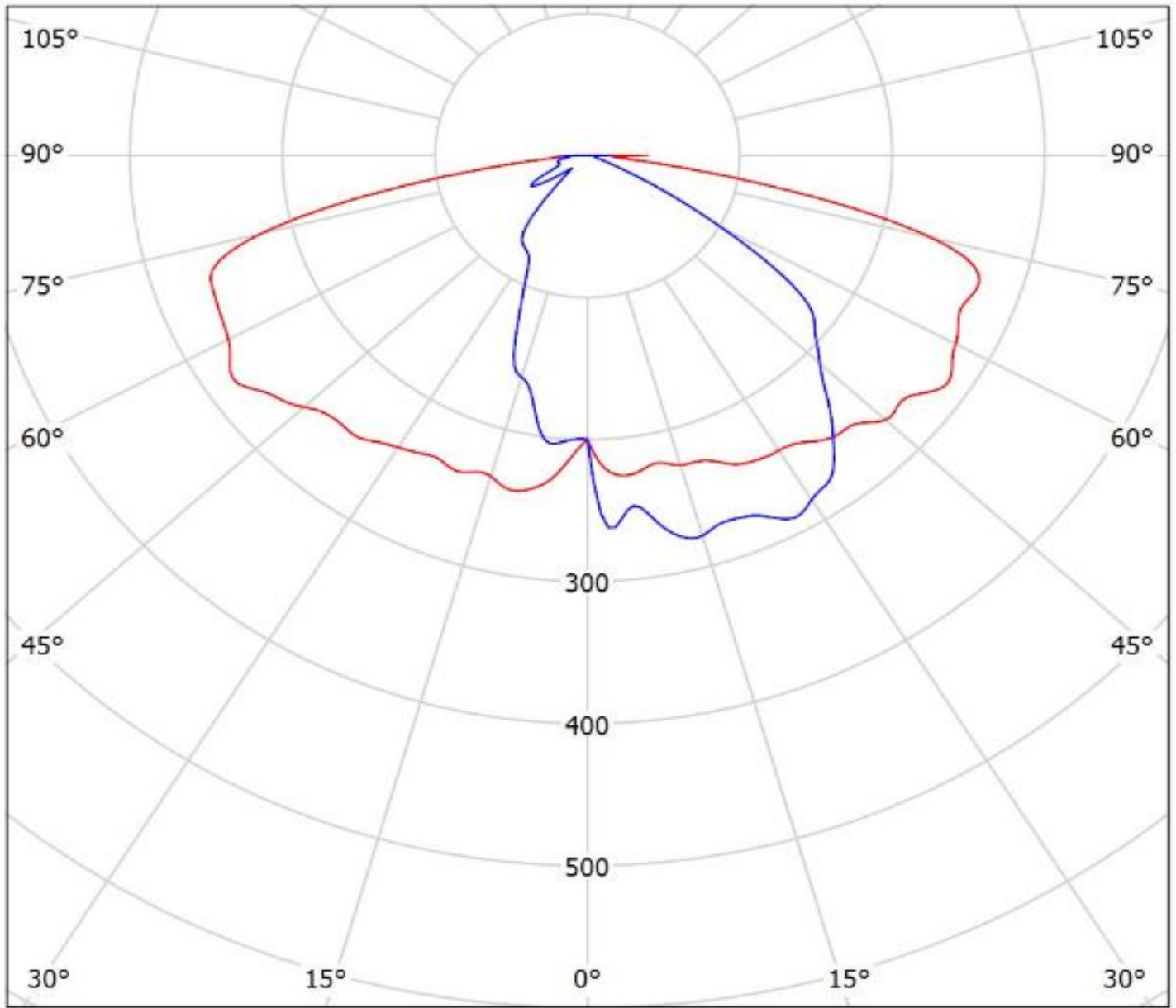
Luminaire: LEDiL Oy CS15751\_STRADA-2X2MX-8-DWC\_(CXB1512/B+W/Mechatronix)  
Lamps: 1 x CXB1512\_6674.19lm@700mA\_P=48.3403W\_I=0.700A



Luminaire: Ledil Oy CS15751\_STRADA-2X2MX-8-DWC\_(PSL440)\_SIMULATED  
Lamps: 1 x CITIZEN PSL440



Luminaire: Ledil Oy CS15751\_STRADA-2X2MX-8-DWC\_(PSL445)\_SIMULATED  
Lamps: 1 x CITIZEN PSL445

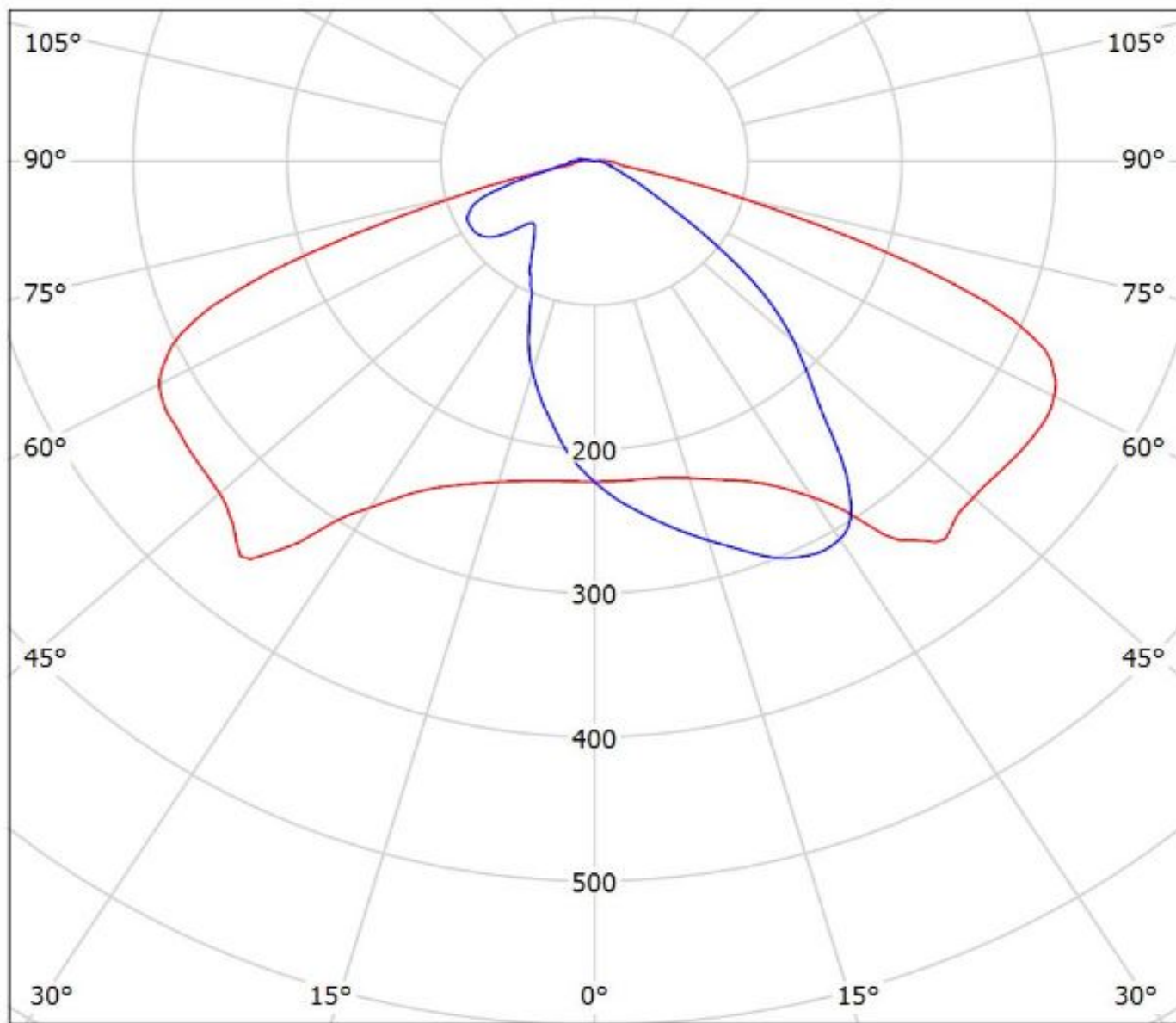


cd/klm

— C0 - C180 — C90 - C270

$\eta = 90\%$

Luminaire: LEDiL Oy CS15751\_STRADA-2X2MX-8-DWC\_(CXB1512/B+W/Mechatronix)  
Lamps: 1 x CXB1512\_6674.19lm@700mA\_P=48.3403W\_I=0.700A



cd/klm  
— C0 - C180 — C90 - C270

$\eta = 94\%$



**NOTE: The typical divergence will be changed by different color, chip size and chip position tolerance. The typical total divergence is the full angle measured where the luminous intensity is half of the peak value.**

### **GENERAL INFORMATION**

- Product series especially designed & optimized for series of LEDs.
- Special care taken to make light distribution as uniform as possible.

Note! Due to use of high power COB's with this product, special attention to proper thermal design is highly recommended. LEDiL has no liability for direct, indirect or consecutive damages arising from the LEDiL products being used outside of the recommended temperature range.