

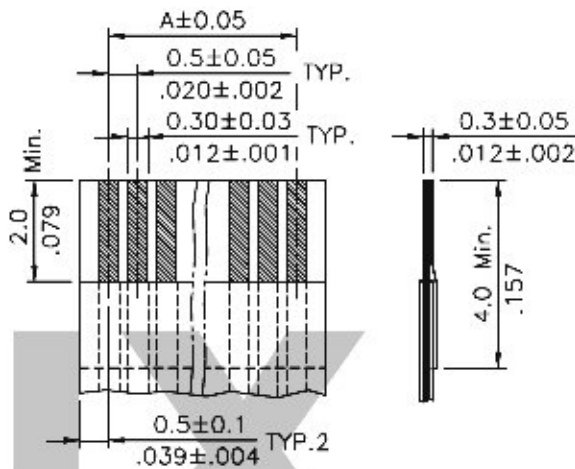
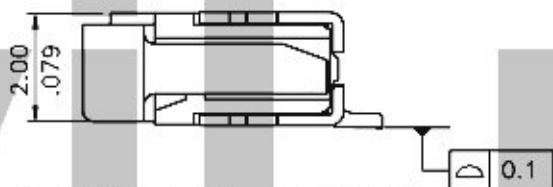
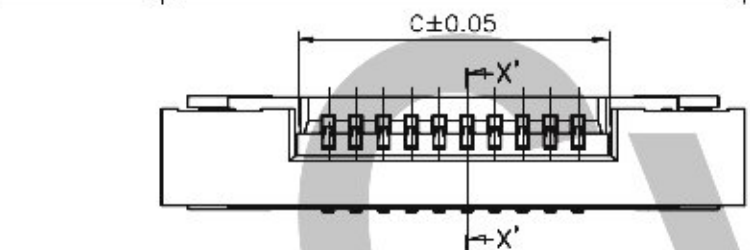
### Ordering Code

CF20 \*\* \* U 0 \*\*  
 ① ② ③ ④ ⑤ ⑥

- ① Series No.
- ② No. of Circuits
- ③ Plating code:  
 1 = 3.05 $\mu$ m(120 $\mu$ "") Min. Tin over 0.76 $\mu$ m(30 $\mu$ "") Nickel  
 2 = Gold flash plated over 1.27 $\mu$ m(50 $\mu$ "") Nickel
- ④ Contact style: U = Upside contact
- ⑤ Color: 0 = Nature
- ⑥ Other option: R0 = Tape & Reel  
 T0 = Tube Packing

Material :

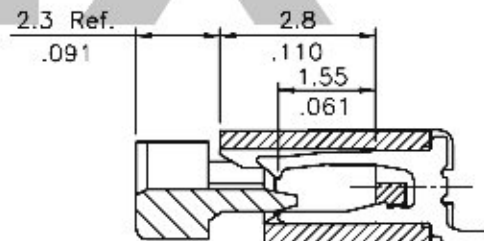
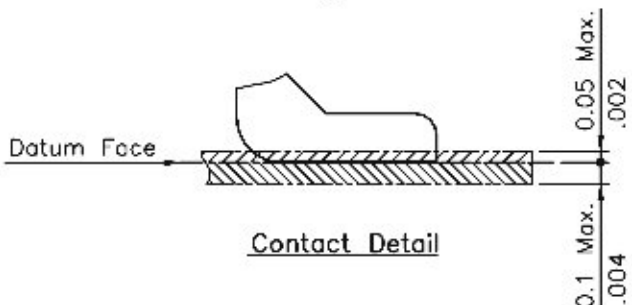
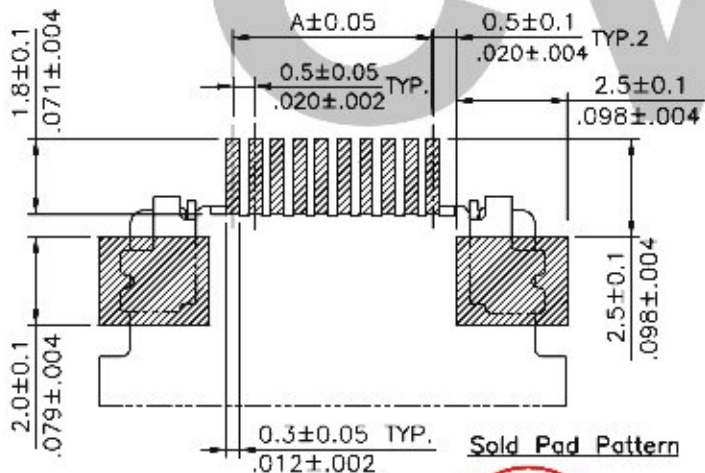
- \* Body : Glass filled Polyamide UL 94V-0  
 Color Nature(Ivory)
- △ \* Slider : Glass filled Polyamide UL 94V-0  
 Color Black
- \* Contact : Copper alloy with Tin plated
- \* Fixed tab : Copper alloy with Tin plated



A = 0.50 \* No. of Spaces  
 B = A + 6.0  
 C = A + 1.1

\* Available in 4 through 50 circuits

Accommodated FFC/FPC



SEC.: X-X'

RoHS Compliant

④					DATE	UNIT: mm / inch	TITLE: 0.50mm(.031") ZIF FFC/FPC UPSIDE CONTACT SURFACE MOUNT CONNECTOR	
③	Jim	7/5/06'	ECN06215	DRAWN BY:	Jim	7/6-06'	MATERIAL:	
②	SUN	12/23/04	ECR04064-1, ECR04069-1/ECN04462	ENGINEER:	Eisley	7/10-06'		FINISH:
①	SUN	1/28/04'	ECN04041	CHECKED BY:	Alex	7/10-06'		
SYM	NAME	DATE	REVISIONS	APPROVED BY:	Alex	7/10-06'		



瀚荃股份有限公司  
 CviLux Corporation

DRAWING NO.	CF2002SC	PART NO.	CF20***U0T0 CF20***U0R0
SCALE	7 / 1	SHEET	1 OF 1