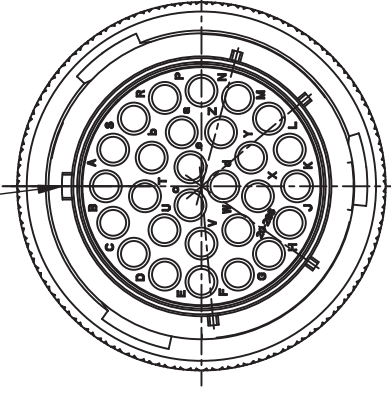


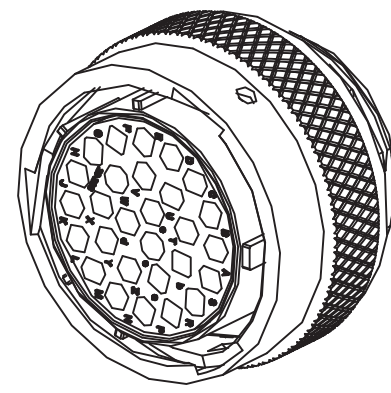
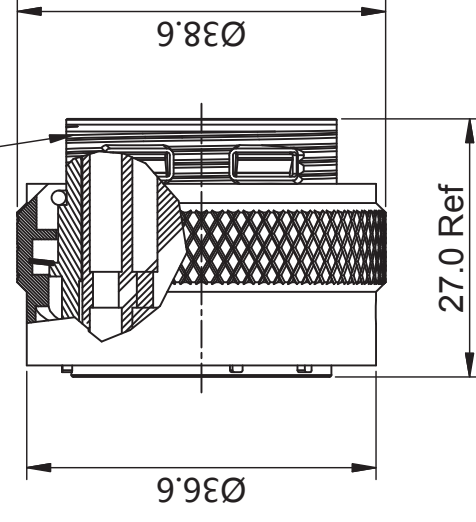
REVISIONS			
REV	ECO	DESCRIPTION	DATE
B1	-	RELEASED DRAWING	JUN-13-2014

BY	APPR
Ben	TOMMY

MASTER KEYWAY



11/16-24 UNEF THREAD



NOTES : (UNLESS OTHERWISE SPECIFIED)

- MATERIAL :
SHELL : ZINC ALLOY , NICKEL PLATED.
INSERT : THERMOPLASTIC , UL94 V-0.
COUPLING NUT : AL ALLOY , NICKEL PLATED.
WAVE WASHER : STAINLESS STEEL.
O-RING : NBR.
- SPECIFICATIONS :
2.1 RATED CURRENT : 13A (MAX) .
2.2 RATED VOLTAGE : 300V (AC/DC) .
2.3 OPERATING TEMPERATURE : -40°C ~ +105°C.
2.4 DIELECTRIC WITHSTANDING VOLTAGE : LESS THAN 2 MILLIAMPS CURRENT LEAKAGE@2000 VOLTS AC.
2.5 INSULATION RESISTANCE : 5000 MEGOHMS MIN.
2.6 IP--CLASS : IP67.
2.7 MATING CYCLES DURABILITY : 500 CYCLES(MIN).
2.8 ROHS COMPLIANT.
- SUITABLE CONTACTS : 16# CONTACTS.
- ALL DIMENSIONS ARE FOR REFERENCE USE ONLY.

KEY POS	PART NUMBER
N	RT062028SNH
W	RT062028SWH
X	RT062028SXH
Y	RT062028SYH
Z	RT062028SZH

SEE PART NUMBER CHART

QUANTITY	PART NUMBER	DESCRIPTION	ITEM

MATERIALS LIST

UNLESS OTHERWISE SPECIFIED		SIGNATURES		DATE	
1) All dimensions are in metric(mm). 2) Tolerances are as follows: 1 PL DEC ±0.30 Fractions ±1/64 2 PL DEC ±0.15 Angles ±1° 3) Note reference = Δ X.		DRAWN:	Bgt	JUN-13-2014	
		CHECKED:			
		ENGINEER:			
		APPROVAL:			
		CUSTOMER:			
THIS DRAWING IS SUPPLIED FOR INFORMATION ONLY. DESIGN FEATURES, SPECIFICATIONS AND PERFORMANCE DATA SHOWN HEREON ARE THE PROPERTY OF THE AMPHENOL CORPORATION. NO RIGHTS OF REPRODUCTION ARE IMPLIED. ALL DIMENSIONS ARE SUBJECT TO NORMAL MANUFACTURING VARIATIONS.					
PROCESS SPECIFICATIONS:		MATERIAL SPECIFICATIONS:		CUSTOMER:	
				ECO-MATE,PLUG, SIZE 20, 28POS, SOCKET.	
				Sine Systems - www.amphenol-sine.com 44724 Morley Drive Clinton Township, MI 48036	
				Amphenol	
				SIZE TYPE DWG NO: RT062028S*H	
				REVISION B1	
				SCALE: NONE	
				SHEET 1 OF 1	